



Hydraulic Live Swivels



Inline & 90° Swivels



Available
In BSPP

Heavy Duty Ball Bearing, Rebuildable Design
Thousands of Swivel Options

www.SuperSwivels.com

Email: sales@superswivels.com

763-784-5531

Fax: 763-784-7423

Super Swivels®

**Thousands of swivel options...
Our custom design service makes
possibilities unlimited.**

Super Swivels® provides superior products for a large wide range of hydraulic applications. Designing and manufacturing heavy-duty, leak free, live swivels at a competitive price with outstanding



performance. These swivels are engineered for simplified connections, allowing direct connections to hose lines doing away with adapters.

For over 30 years Super Swivels has engineered the best heavy-duty and compact live swivel designs, allowing manufactures to create the most efficient and smallest products possible. Superior design and reliability features allows for the most efficient aftermarket modifications and repairs.



Visit our website for an online catalog of Stainless Steel Super Swivels® and those designed for the Car Wash Industry, or contact us for a print catalog.

All of our catalogs and individual pages are available to download online as a PDF file. Check our website for updated versions of catalogs and products.

www.SuperSwivels.com
Email: **sales@superswivels.com**

763-784-5531
Fax: **763-784-7423**

Main Catalog

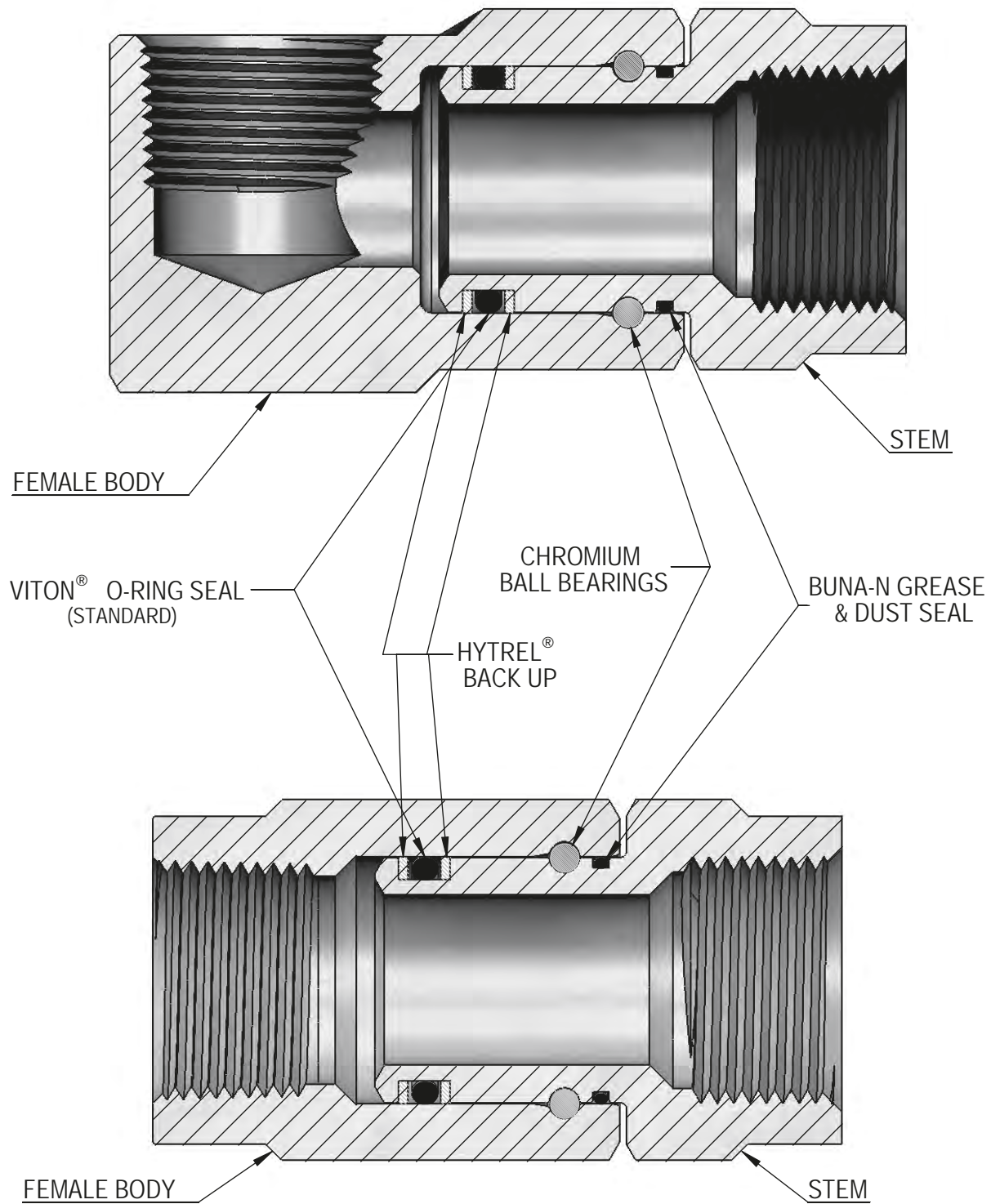
Inline And 90° Hydraulic Swivels

| | |
|---|------------|
| Cross Sectional Drawings | Page 2-5 |
| How To Order | Page 6 |
| Options | Page 7 |
| Seal Compatibility Chart | Page 8 |
| Pressure Drop Charts | Page 9-10 |
| Rotating Torque Verses Pressure Chart | Page 11 |
| R.P.M. Verses P.S.I. Chart | Page 11 |
| Inline Swivels | Page 12-21 |
| High Pressure Inline Swivels (10,000 P.S.I.) | Page 22 |
| 90° Swivels | Page 23-42 |
| 90° High Pressure Swivels (10,000 P.S.I.) | Page 43 |
| Dual Plane Swivels | Page 44-48 |
| BSPP Inline And 90° Swivels | Page 49-52 |
| Extra Heavy Duty – Extreme Duty | Page 53-61 |
| Item Number To Part Number Cross Reference Guide | Page 62-72 |
| Seal Rebuilding Kits Item Number/Part Number | Page 72 |
| Competitors Cross Reference Guides | Page 73 |
| Super Swivels' Advantages | Page 74 |
| Seal Rebuilding Kit Instructions (List – Page 72) | Page 75 |
| Custom Design Live Swivels | Page 76 |
| Warranty | Page 77 |

Switch Your Swivel!®

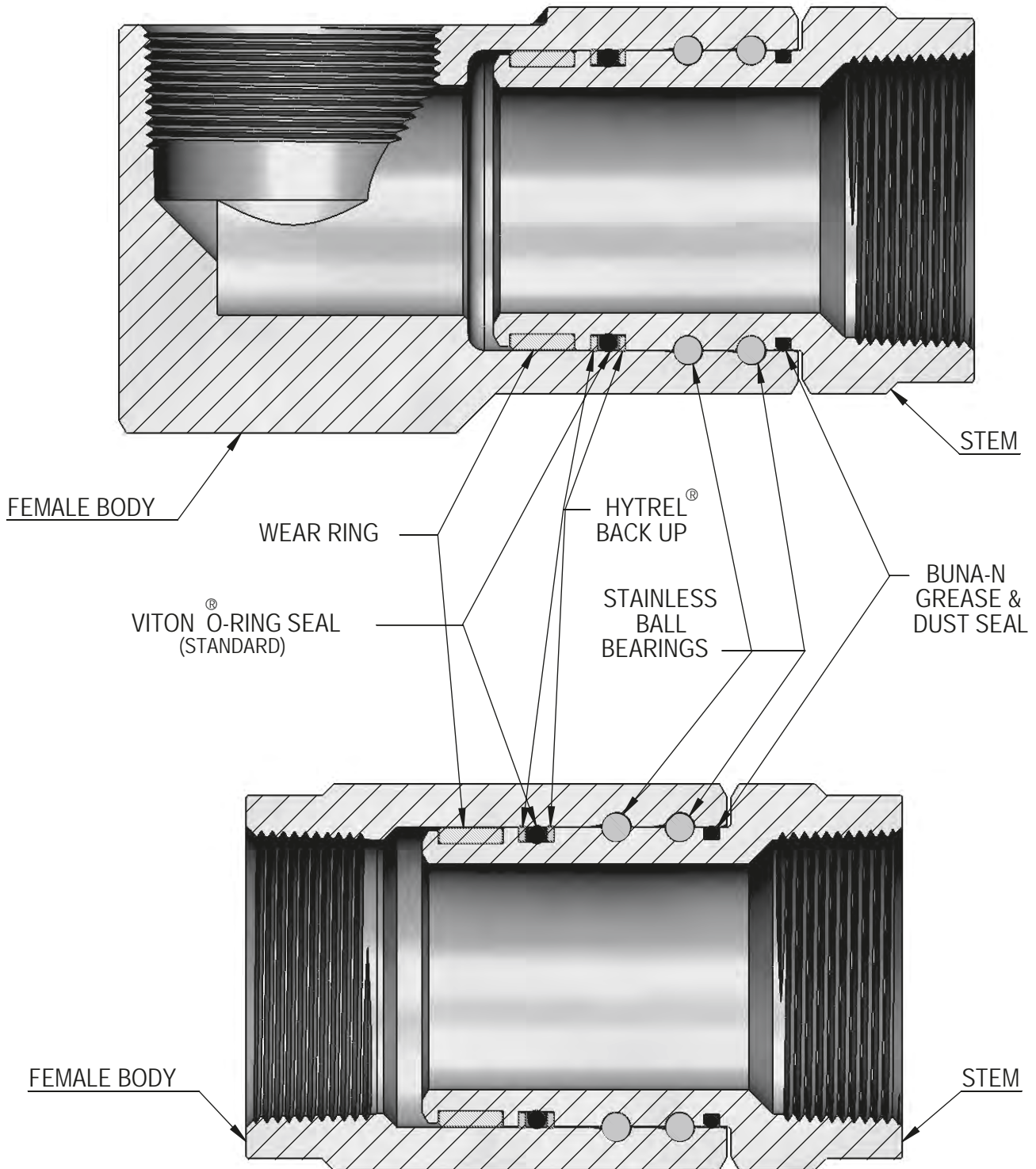
www.superswivels.com

Cross Sectional Drawings



Zinc Plated for Hydraulic Oil Applications
Sizes 4 through 16

Cross Sectional Drawings

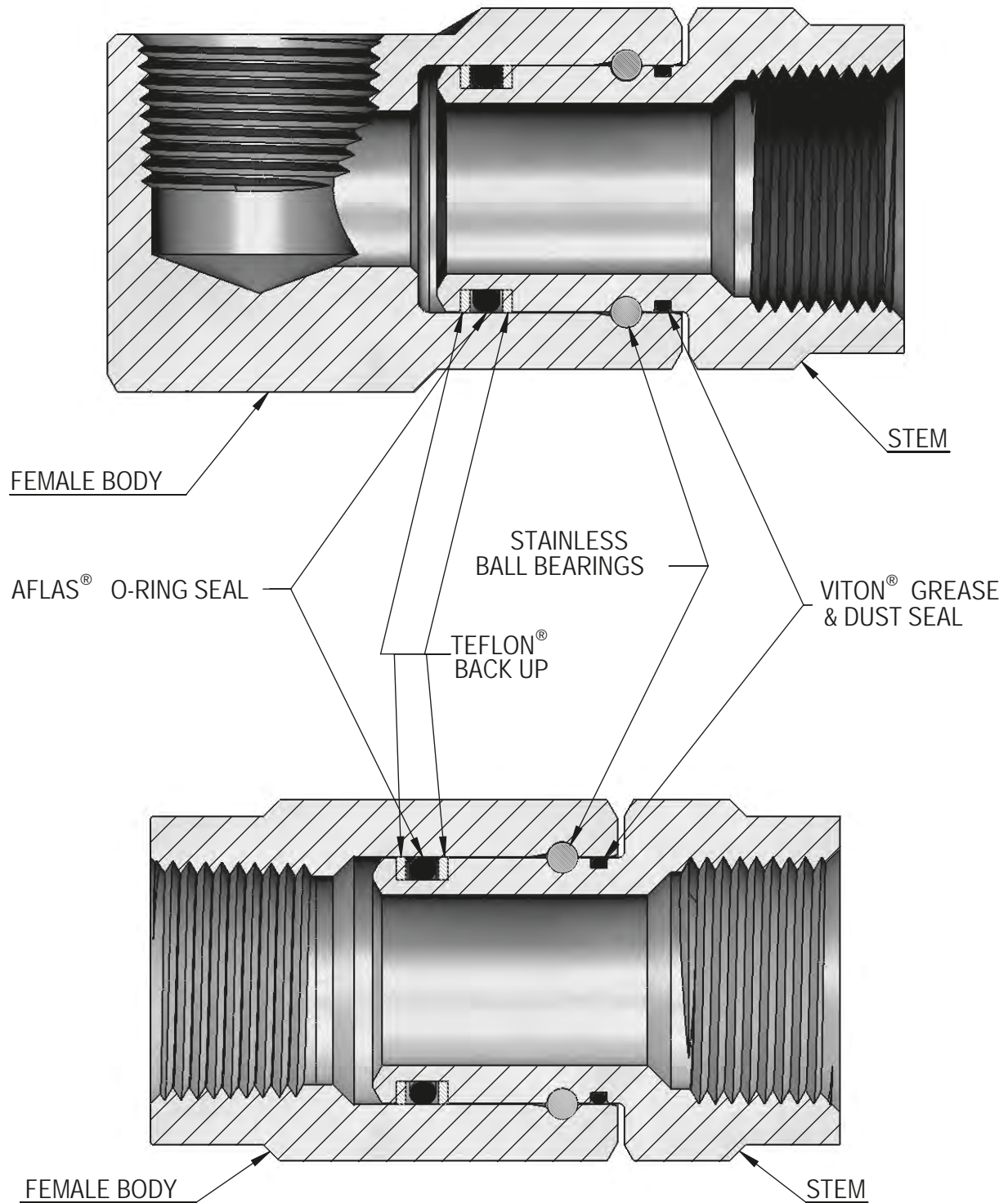


**Nickel Plated for Hydraulic Oil Applications
Sizes 20 through 40**

(Size 20 No Wear Ring)

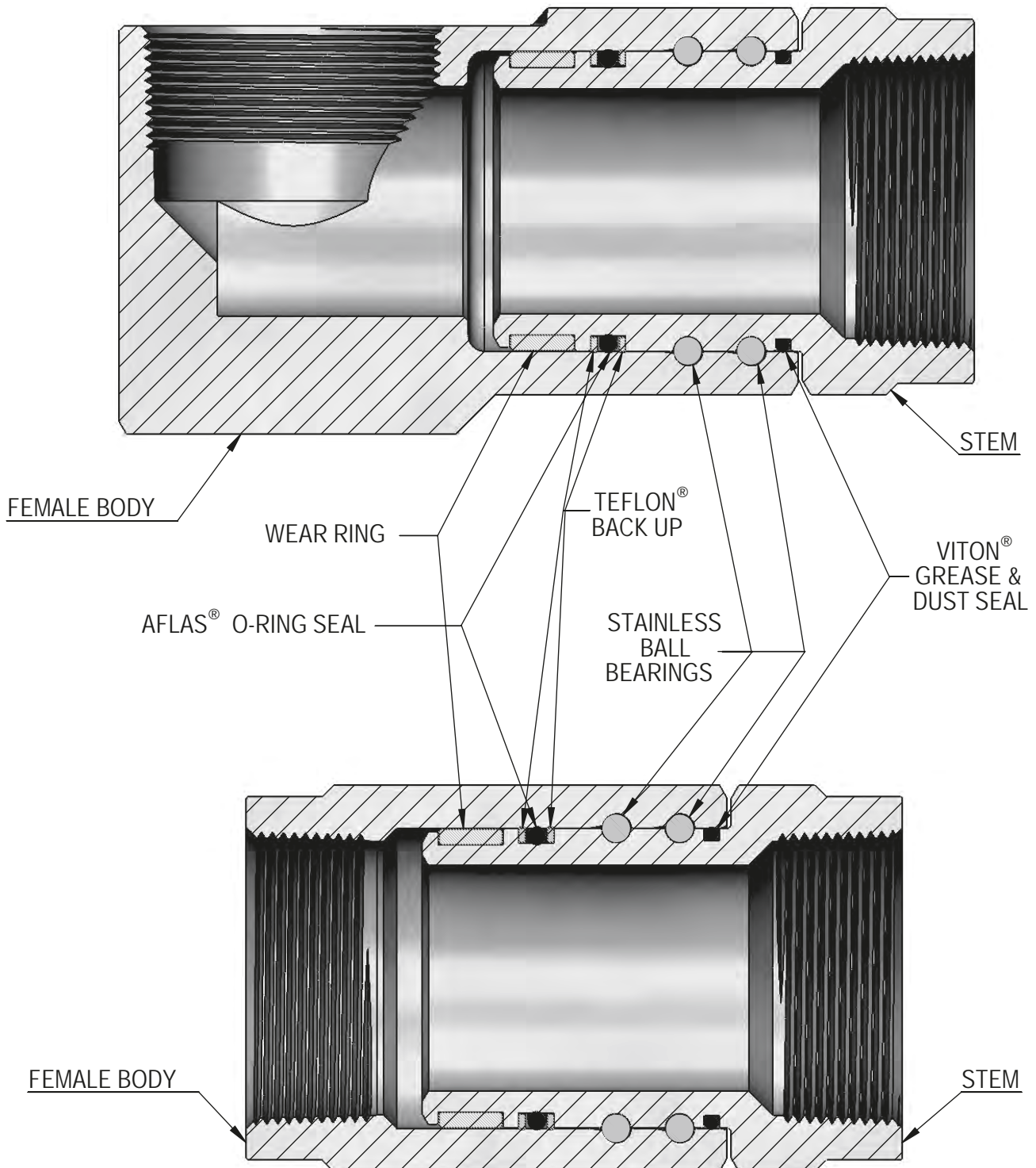
Nickel Plating Standard on Size 24 and Larger

Cross Sectional Drawings



Nickel Plated for Corrosive Media Applications
Sizes 4 through 16

Cross Sectional Drawings

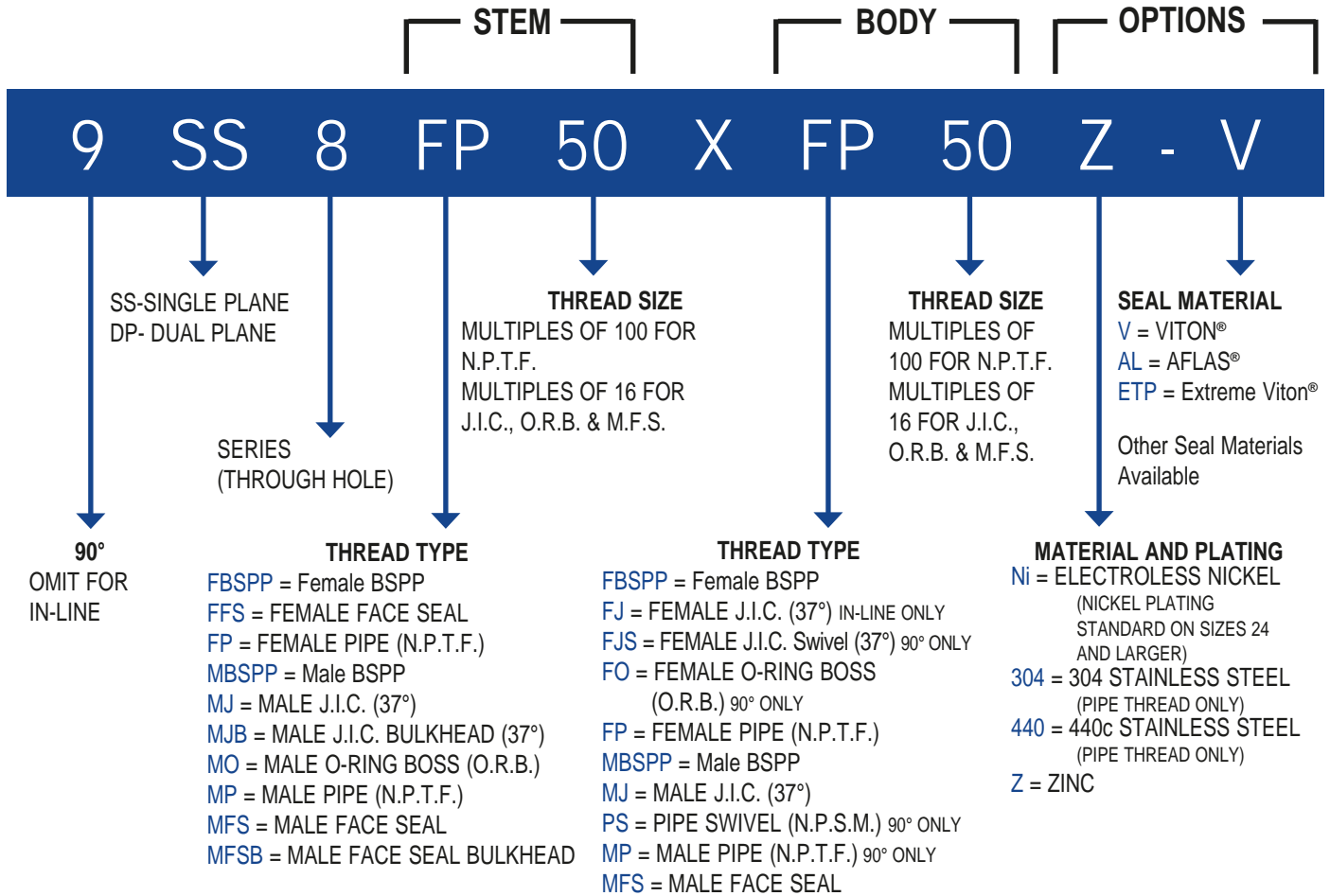


Nickel Plated for Corrosive Media Applications Sizes 20 through 40

(Size 20 No Wear Ring)

Nickel Plating Standard on Size 24 and Larger

HOW TO ORDER



REBUILDING KITS ARE AVAILABLE FOR ALL SWIVELS. SEE PAGE 72 (LIST).

WHEN ORDERING PLEASE SPECIFY PRESSURE, TYPE OF MEDIA, OR INDUSTRIAL OXYGEN USE.

SUPER SWIVELS® ARE NOT RECOMMENDED FOR BREATHING AIR/OXYGEN, OR STEAM.

ALL SWIVELS HAVE 4 TO 1 PROOF PRESSURE, EXCEPT 10,000 P.S.I. 3 TO 1 PROOF PRESSURE

SUPER SWIVELS® MAY ALSO BE ORDERED BY ITEM NUMBER. SEE PAGES 62-72 .

ANY SERIES STEM WILL FIT WITH THE SAME SERIES BODY. THEREFORE THERE ARE MANY COMBINATIONS THAT DO NOT APPEAR IN THIS CATALOG.

CALL, FAX, OR E-MAIL YOUR SPECIAL REQUIREMENTS.

Options

Super Swivels® are available in numerous configurations, size, seal, and material options including custom design and manufacture. Our catalog illustrates the most common choices, many of which are in stock and ready to ship. Please contact us if you don't see what you want and we will work with you to fulfill those needs.

Order options include: Inline or 90°, single or dual plane, stem thread type and size, body thread type and size, material and plating, and seal type.

Base Material and Plating

Super Swivels are manufactured from Carbon Steel or 304 and 440c Stainless Steel.

Carbon Steel Zinc (Z) Plating is recommended for non-corrosive applications, i.e. hydraulic, pneumatic, etc.

Carbon Steel Nickel (NI) Plating is recommended for mildly corrosive environments, i.e. water, mild chemicals, solvents, etc.

304 Stainless Steel (304) is recommended for low pressure corrosive environments (in Pipe Thread Only).

440c Stainless Steel (440) is a martensitic, high carbon, magnetic stainless steel, heat-treated to maintain a high-pressure rating. Not as corrosion resistant as 300 Series Stainless Steel (in Pipe Thread Only).

Seal Material

(V) Viton® (Fluorocarbon) – For most petroleum based applications. (-15°F to 250°F)

(AL) Aflas® (Tetrafluoroethylene-propylene copolymer)
– Better resistance to many individual chemicals. For service in high temperature environments.
(Low temperature limitations.) (+32°F to 400°F)

(ETP) Extreme Viton® – High resistance to many individual chemicals. (-6°F to 437°F)

Other seals available upon request include: Buna, EPR, Neoprene and Markez®.

Please specify oxygen use when ordering. Super Swivels are not recommended for breathing air or steam.



• Viton® and Extreme Viton® are registered trademarks of DuPont Dow® Elastomers. • Freon®, and Hytrel® are registered trademarks of the DuPont® Company.
• Aflas® is a registered trademark of Asahi® Glass Co LTD. • Skydrol® and Pydraul® are registered trademarks of Monsanto® Chemical Co.
• Markez® is a registered trademark of Marco Rubber & Plastics Products inc. All other ® and ™s are the property of their respective owners.

Super Swivels®, Switch Your Swivel!®, DON'T BE KINKY® text and logos are Registered Trademarks and are the property of Remanco Hydraulics, Inc. along with all text, graphics, photographs and images in this catalog are protected by international copyright laws.

Extra Heavy Duty™ Logo is the property of Remanco Hydraulics, Inc.

Super Swivels® are protected by U.S. Patent #5547233 and is the property of Remanco Hydraulics, Inc.

Seal Compatibility Chart

| FLUIDS | VITON® (HYTREL® back-up) | AFLAS® (Extreme Viton® back-up) | ETP Extreme Viton (ETP back-up) |
|--|---|---|------------------------------------|
| | 25 in/Hg-5000 P.S.I. MAX* -15°F TO 250°F | 25 in/Hg-5000 P.S.I. MAX* +32°F TO 400°F | 25 in/Hg-1500 MAX -6°F TO 437°F |
| automatic transmission fluids | A | A | A |
| acetone | C | C | B |
| air | A | A | A |
| asphalt | B | A | A |
| benzene | A | B | A |
| brake fluid (glycol) | C | A | A |
| brake fluid (mineral) | C | A | A |
| brake fluid (silicone) | C | A | A |
| carbon tetrachloride | A | C | A |
| engine oil (sf, sf cd) | A | A | A |
| ethylene glycol | A | A | A |
| FREON® | C | C | C |
| hydraulic fluids (petroleum) | A | A | A |
| hydrochloric acid | B | A | A |
| methyl ethyl ketone | C | C | B |
| naphtha | A | A | A |
| oxygen ¹ (industrial/gaseous) | A | A | A |
| power steering fluid | C | A | A |
| salt water | B | A | A |
| SKYDROL 500 B4® | C | B | C |
| soap solutions | C | A | A |
| sulfuric acid | A | A | A |
| toluene | A | C | A |
| trichlorethylene | A | C | A |
| urethane | C | A | A |
| water | C | A | A |

A=Satisfactory
B=Fair
C=Unsatisfactory

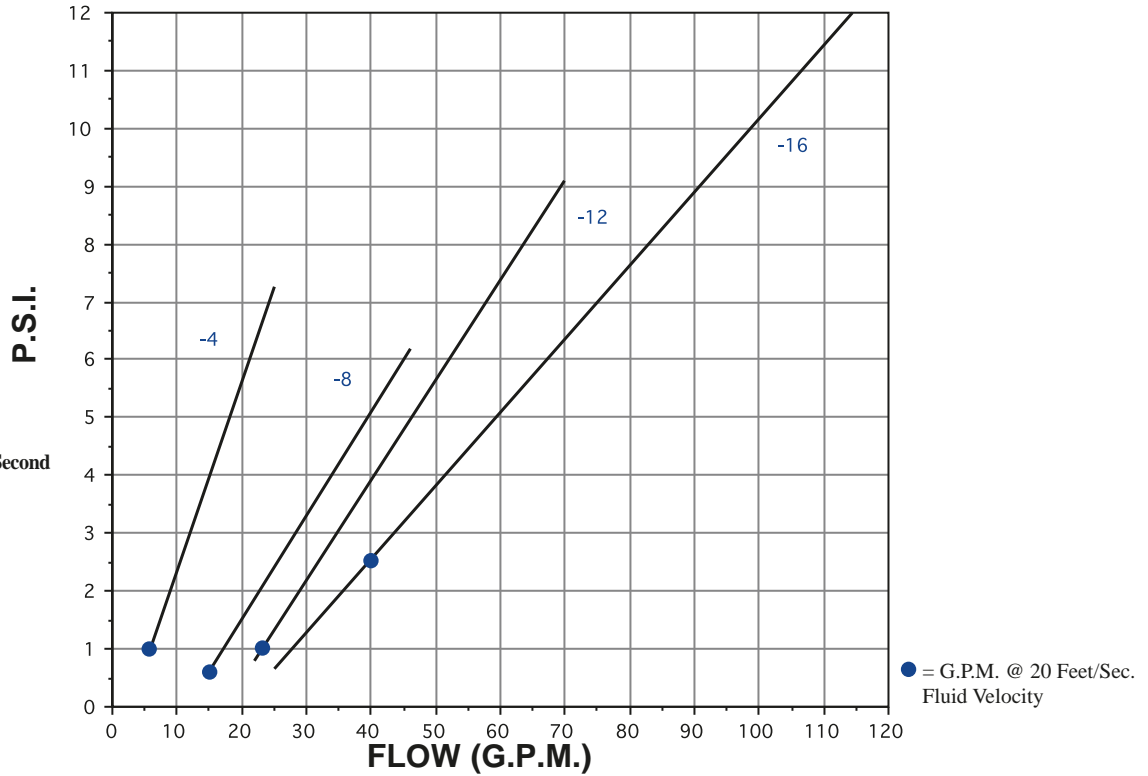
*2500 P.S.I. MAX PNEUMATIC

This chart is only a guide, several factors should be considered when selecting a sealing compound, for further information contact Super Swivels®.

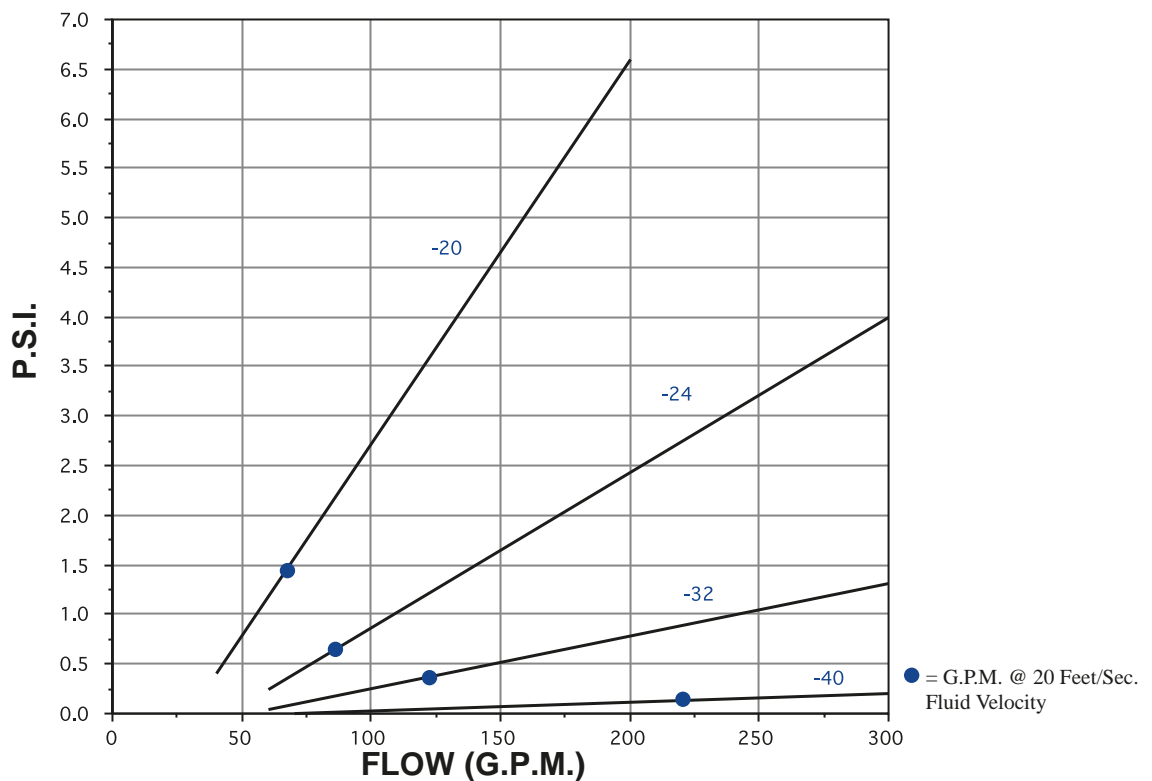
Note 1. Please specify oxygen use when ordering. Super Swivels® are not recommended and should NOT be used for breathing air/oxygen.

Not recommended for steam.

Pressure Drop “SS” Inline #4 - #16

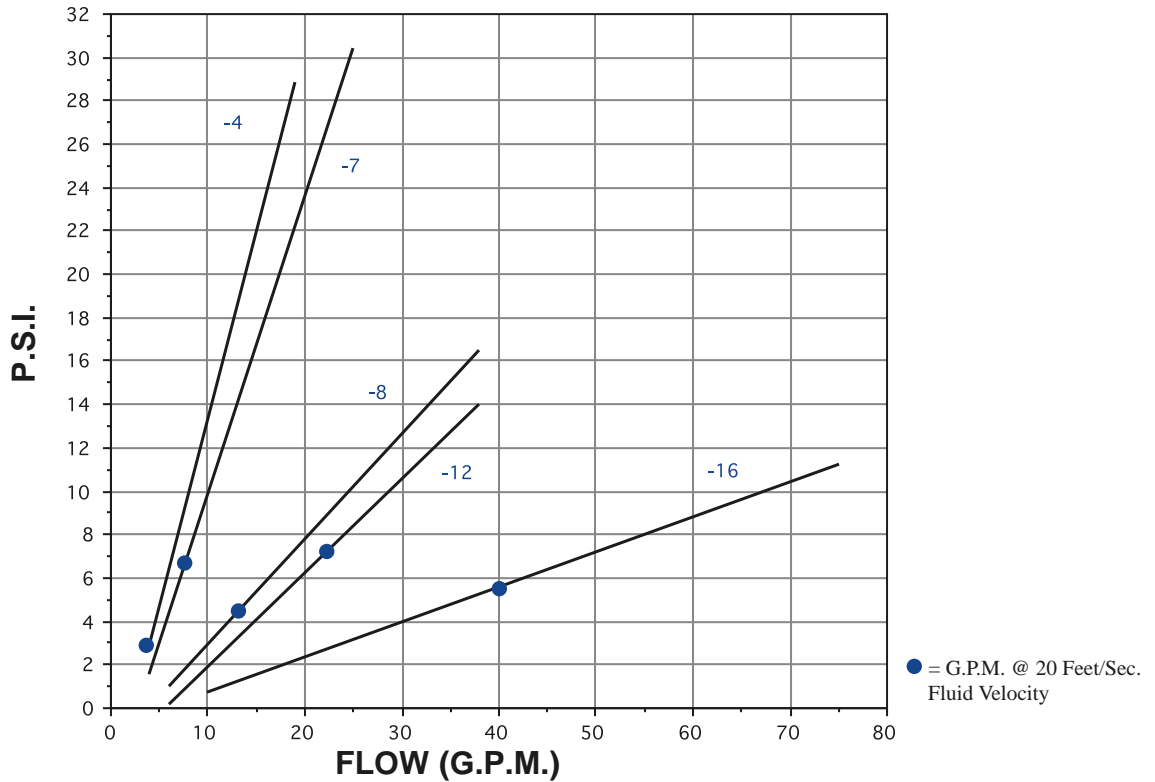


Pressure Drop “SS” Inline #20 - #40

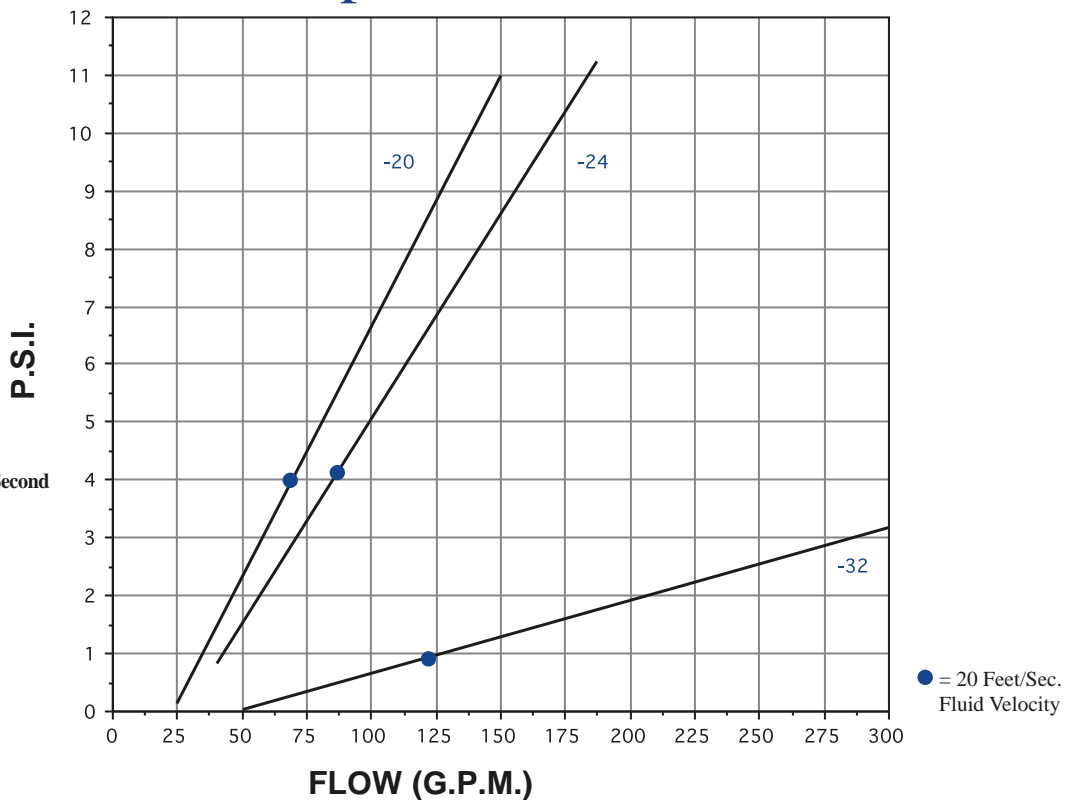


Tests conducted with 150 SUS oil at 100°F with Female Pipe (FP) X Female Pipe (FP)

Pressure Drop "9SS" 90° #4 - #16



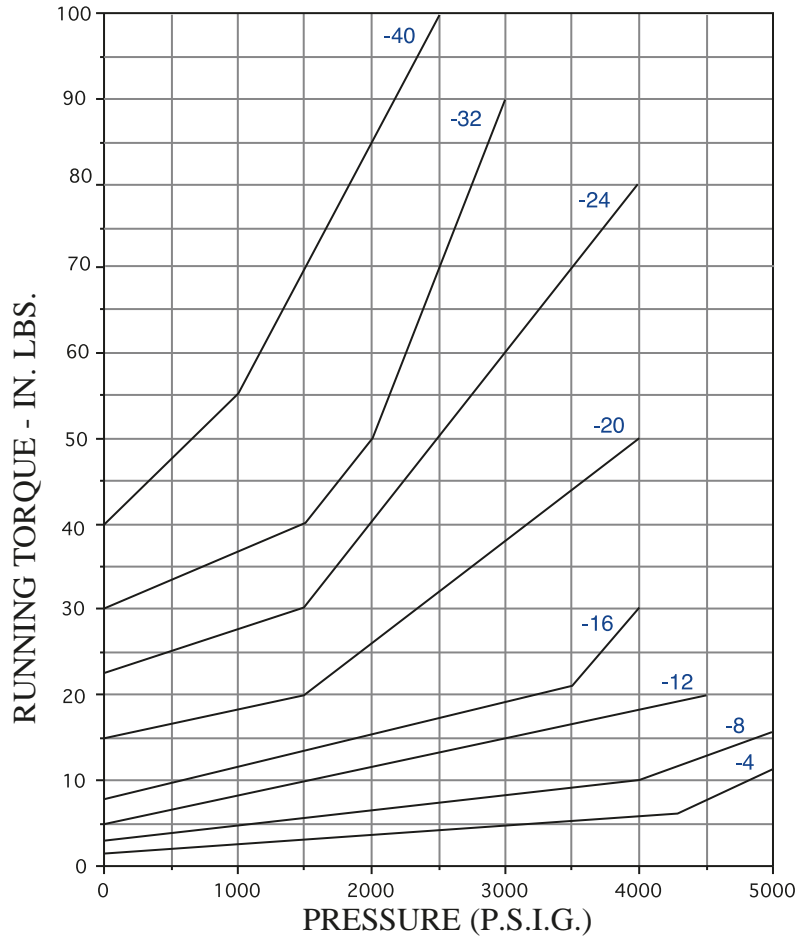
Pressure Drop "9SS" 90° #20 - #32



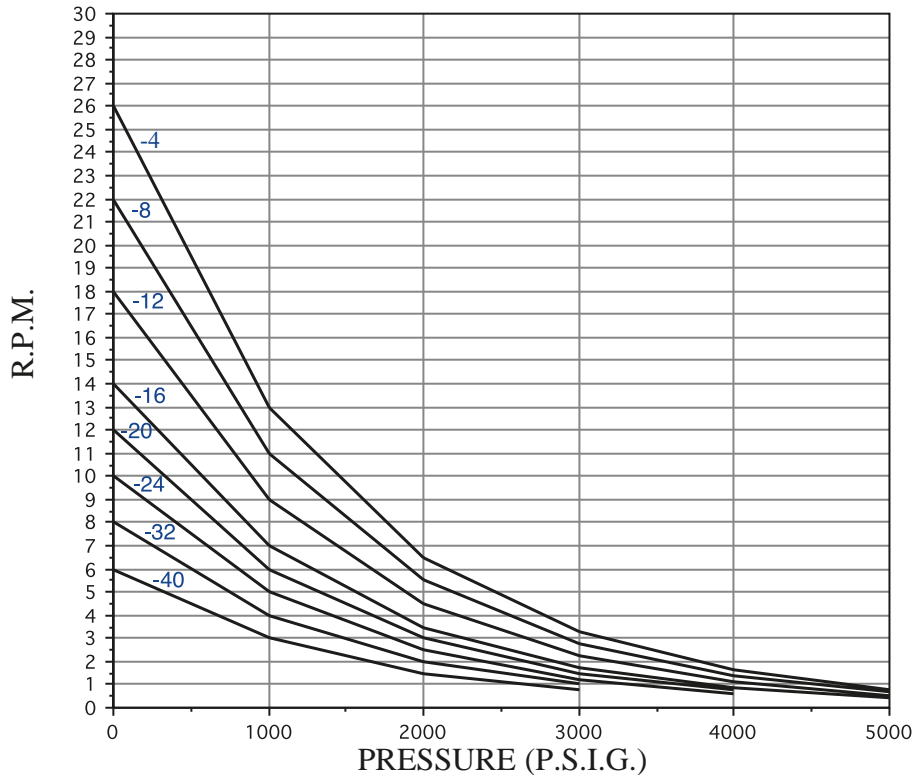
Quick Comparison
Gallons/Minute @ 20 Feet/Second
Inline & 90

| Size | 20 Feet/Sec. Fluid Velocity |
|------|--------------------------------|
| #4 | 3 |
| #7 | 8 |
| #8 | 14 |
| #12 | 23 |
| #16 | 40 |
| #20 | 68 |
| #24 | 84 |
| #32 | 124 |
| #40 | 221 |

Rotating Torque vs. Pressure



R.P.M. vs. P.S.I.



Inline Swivels



Switch Your Swivel!®

Inline Swivels rotating joints provide for minimal friction allowing free movement of hoses and piping in fluid conducting power systems. The compact design fits in tight areas. Super Swivels one piece barrel and stem with integrated ball bearing race design withstands heavy side loads preventing premature seal wear and leaks. This pass-through inline design is the most standard configuration in live swivels. Super Swivels connect directly to hose lines without adapters reducing overall costs of hydraulics. Inline sizes range from 1/8" through 2 1/2" body thread with numerous fittings, finishes and seal configurations.

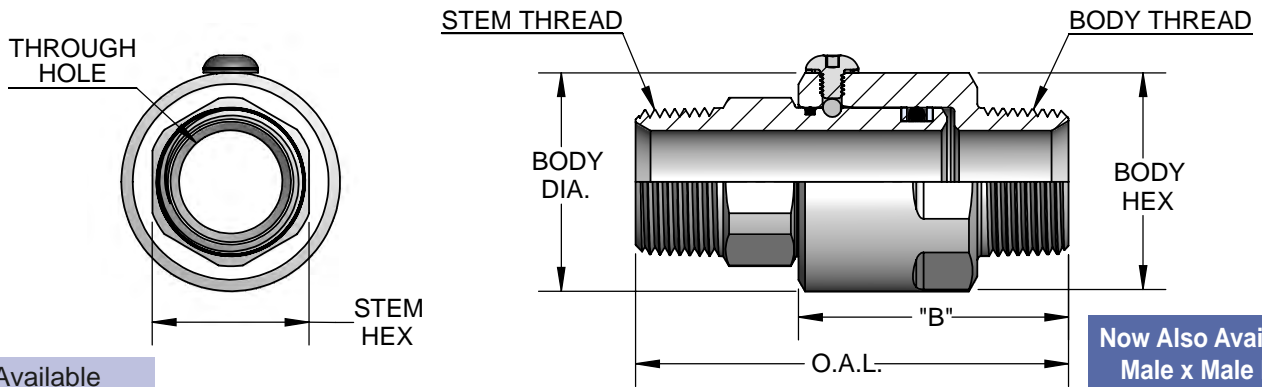
www.SuperSwivels.com

Email: sales@superswivels.com

763-784-5531

Fax: 763-784-7423

Male Pipe (N.P.T.F.) X Male Pipe (N.P.T.F.)



Not Available
In Stainless Steel!

Now Also Available In
Male x Male BSPP
See Page 52

| PART NUMBER | O.A.L. | DIM. B | STEM THREAD | BODY THREAD | STEM HEX | BODY DIA. | BODY HEX | MAX P.S.I.G. | THROUGH HOLE |
|-----------------------|--------|--------|-----------------------|-----------------------|----------|-----------|----------|--------------|--------------|
| SS 4 MP 25 X MP 25 | 2.380 | 1.650 | 1/4-18 N.P.T.F. | 1/4-18 N.P.T.F. | 0.625 | HEX | 1.000 | 5000 | 0.250 |
| SS 4 MP 38 X MP 38 | 2.460 | 1.650 | 3/8-18 N.P.T.F. | 3/8-18 N.P.T.F. | 0.750 | HEX | 1.000 | 5000 | 0.250 |
| SS 8 MP 38 X MP 38 | 2.810 | 1.700 | 3/8-18 N.P.T.F. | 3/8-18 N.P.T.F. | 1.000 | 1.290 | 1.187 | 5000 | 0.406 |
| SS 8 MP 50 X MP 50 | 2.940 | 1.750 | 1/2-14 N.P.T.F. | 1/2-14 N.P.T.F. | 1.000 | 1.480 | 1.375 | 5000 | 0.530 |
| SS 12 MP 75 X MP 75 | 3.040 | 1.850 | 3/4-14 N.P.T.F. | 3/4-14 N.P.T.F. | 1.125 | 1.675 | 1.560 | 4500 | 0.689 |
| SS 16 MP 100 X MP 100 | 3.800 | 2.370 | 1-11 1/2 N.P.T.F. | 1-11 1/2 N.P.T.F. | 1.375 | 1.917 | 1.812 | 4000 | 0.906 |
| SS 20 MP 125 X MP 125 | 4.090 | 2.580 | 1 1/4-11 1/2 N.P.T.F. | 1 1/4-11 1/2 N.P.T.F. | 1.750 | 2.357 | 2.187 | 4000 | 1.181 |
| SS 24 MP 150 X MP 150 | 4.780 | 3.100 | 1 1/2-11 1/2 N.P.T.F. | 1 1/2-11 1/2 N.P.T.F. | 2.000 | 2.557 | 2.375 | 4000 | 1.312 |
| SS 32 MP 200 X MP 200 | 5.225 | 3.625 | 2-11 1/2 N.P.T.F. | 2-11 1/2 N.P.T.F. | 2.500 | 3.055 | 2.875 | 3000 | 1.781 |

Inline Swivels ...Continues on page 14

THOUSANDS OF SWIVEL OPTIONS

New 32 Series Size Swivel Items

- **SS 32 MJ 32 X FP 200** Male J.I.C. (37°) X Female Pipe (N.P.T.F.) - Page 15
- **SS 32 MJ 32 X FJ 32** Male J.I.C. (37°) X Female J.I.C. (37°) - Page 15
- **SS 32 MP 200 X MJ 32** Male Pipe (N.P.T.F.) X Male J.I.C. (37°) - Page 18
- **SS 32 MJ 32 X MJ 32** Male J.I.C. (37°) X Male J.I.C. (37°) - Page 18
- **9 SS 32 MJ 32 X FP 200** 90° Male J.I.C. (37°) X Female Pipe (N.P.T.F.) - Page 25



STAINLESS STEEL

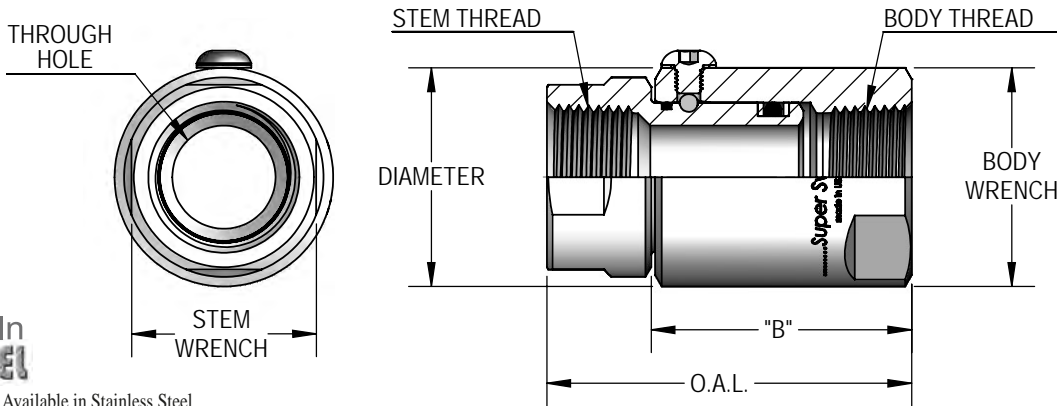


304 & 440c Catalog

Visit our website

- **304** nickel/chrome alloy, non-hardening, Austenitic, Non-magnetic stainless steel.
- **304** offers excellent chemical corrodents resistance. • **304** medium pressure rating.
- **440c** high carbon – high chrome, heat treated, Martensitic, magnetic Stainless Steel.
- **440c** offers chemical corrosion resistance. • **440c** swivels have a high pressure rating.

Female Pipe (N.P.T.F.) X Female Pipe (N.P.T.F.)



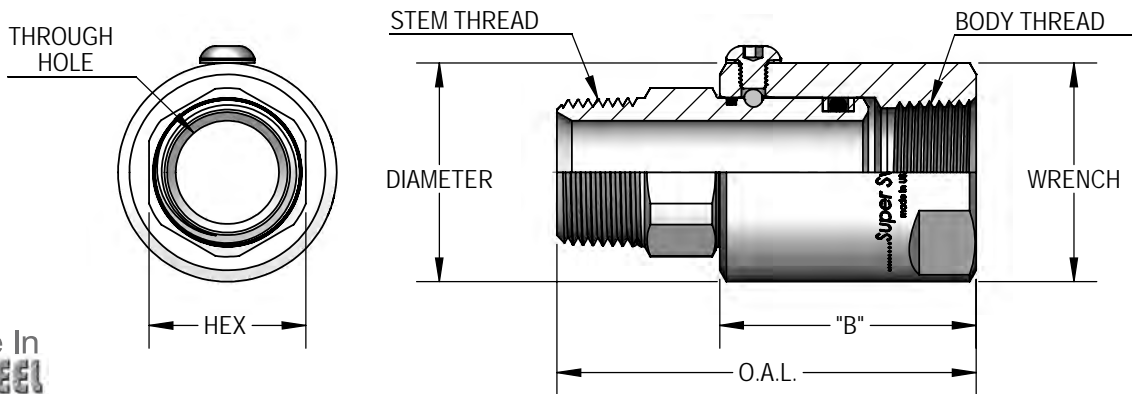
Also Available In
STAINLESS STEEL

*SS 2 FP 12.5 X FP 12.5 NOT Available in Stainless Steel



| PART NUMBER | O.A.L. | DIM. B | DIAMETER | STEM THREAD | BODY THREAD | BODY WRENCH | STEM WRENCH | MAX P.S.I.G. | THROUGH HOLE |
|-------------------------|--------|--------|----------|---|---|-------------|-------------|--------------|--------------|
| *SS 2 FP 12.5 X FP 12.5 | 1.785 | 1.225 | 0.734 | 1/8-27 N.P.T.F. | 1/8-27 N.P.T.F. | 0.625 | 0.625 | 5000 | 0.157 |
| SS 4 FP 25 X FP 25 | 2.320 | 1.720 | 0.992 | 1/4-18 N.P.T.F. | 1/4-18 N.P.T.F. | 0.875 | 0.750 | 5000 | 0.250 |
| SS 8 FP 38 X FP 38 | 2.555 | 1.550 | 1.290 | 3/8-18 N.P.T.F. | 3/8-18 N.P.T.F. | 1.125 | 0.875 | 5000 | 0.530 |
| SS 8 FP 50 X FP 50 | 2.480 | 1.650 | 1.480 | 1/2-14 N.P.T.F. | 1/2-14 N.P.T.F. | 1.250 | 1.125 | 5000 | 0.530 |
| SS 12 FP 75 X FP 75 | 2.685 | 1.850 | 1.675 | 3/4-14 N.P.T.F. | 3/4-14 N.P.T.F. | 1.500 | 1.375 | 4500 | 0.689 |
| SS 16 FP 100 X FP 100 | 3.200 | 2.250 | 1.918 | 1-11 ¹ / ₂ N.P.T.F. | 1-11 ¹ / ₂ N.P.T.F. | 1.750 | 1.625 | 4000 | 0.906 |
| SS 20 FP 125 X FP 125 | 3.680 | 2.685 | 2.358 | 1 1/4-11 ¹ / ₂ N.P.T.F. | 1 1/4-11 ¹ / ₂ N.P.T.F. | 2.125 | 2.000 | 4000 | 1.181 |
| SS 24 FP 150 X FP 150 | 4.050 | 2.950 | 2.548 | 1 1/2-11 ¹ / ₂ N.P.T.F. | 1 1/2-11 ¹ / ₂ N.P.T.F. | 2.375 | 2.375 | 4000 | 1.312 |
| SS 32 FP 200 X FP 200 | 4.520 | 3.450 | 3.052 | 2-11 ¹ / ₂ N.P.T.F. | 2-11 ¹ / ₂ N.P.T.F. | 2.875 | 2.875 | 3000 | 1.781 |
| SS 40 FP 250 X FP 250 | 5.165 | 3.785 | 3.572 | 2 1/2-8 N.P.T.F. | 2 1/2-8 N.P.T.F. | 3.375 | 3.375 | 2500 | 2.125 |

Male Pipe (N.P.T.F.) X Female Pipe (N.P.T.F.)

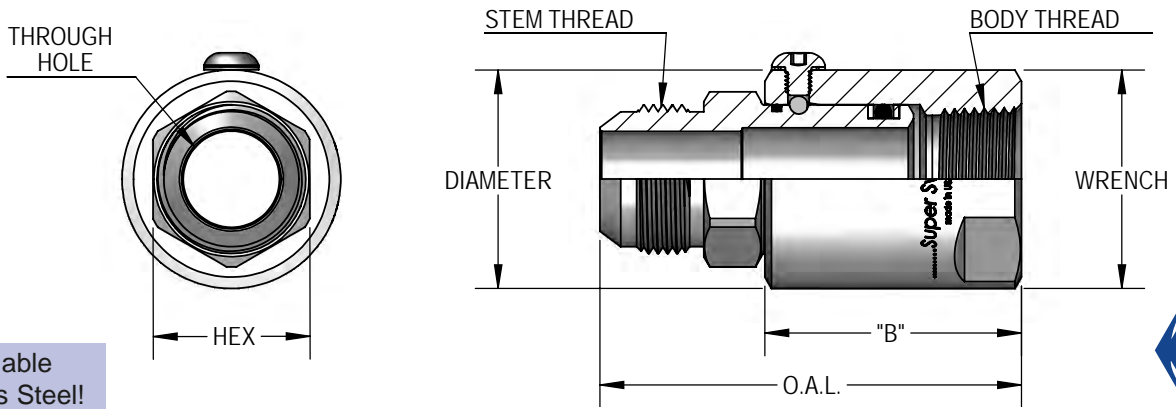


Also Available In
STAINLESS STEEL

*SS 2 MP 12.5 X FP 12.5 NOT Available in Stainless Steel

| PART NUMBER | O.A.L. | DIM. B | STEM THREAD | BODY THREAD | HEX | DIAMETER | WRENCH | MAX P.S.I.G. | THROUGH HOLE |
|-------------------------|--------|--------|---|---|-------|----------|--------|--------------|--------------|
| *SS 2 MP 12.5 X FP 12.5 | 1.855 | 1.225 | 1/8-27 N.P.T.F. | 1/8-27 N.P.T.F. | 0.437 | 0.734 | 0.625 | 5000 | 0.157 |
| SS 4 MP 25 X FP 25 | 2.450 | 1.720 | 1/4-18 N.P.T.F. | 1/4-18 N.P.T.F. | 0.625 | 0.992 | 0.875 | 5000 | 0.250 |
| SS 8 MP 38 X FP 38 | 2.960 | 1.570 | 3/8-18 N.P.T.F. | 3/8-18 N.P.T.F. | 1.000 | 1.292 | 1.125 | 5000 | 0.406 |
| SS 8 MP 50 X FP 50 | 2.840 | 1.650 | 1/2-14 N.P.T.F. | 1/2-14 N.P.T.F. | 1.000 | 1.480 | 1.250 | 5000 | 0.530 |
| SS 12 MP 75 X FP 75 | 3.085 | 1.850 | 3/4-14 N.P.T.F. | 3/4-14 N.P.T.F. | 1.125 | 1.675 | 1.500 | 4500 | 0.689 |
| SS 16 MP 100 X FP 100 | 3.675 | 2.250 | 1-11 ¹ / ₂ N.P.T.F. | 1-11 ¹ / ₂ N.P.T.F. | 1.375 | 1.917 | 1.750 | 4000 | 0.906 |
| SS 20 MP 125 X FP 125 | 4.190 | 2.685 | 1 1/4-11 ¹ / ₂ N.P.T.F. | 1 1/4-11 ¹ / ₂ N.P.T.F. | 1.750 | 2.357 | 2.125 | 4000 | 1.181 |
| SS 24 MP 150 X FP 150 | 4.625 | 2.950 | 1 1/2-11 ¹ / ₂ N.P.T.F. | 1 1/2-11 ¹ / ₂ N.P.T.F. | 2.000 | 2.550 | 2.375 | 4000 | 1.312 |
| SS 32 MP 200 X FP 200 | 5.050 | 3.450 | 2-11 ¹ / ₂ N.P.T.F. | 2-11 ¹ / ₂ N.P.T.F. | 2.500 | 3.055 | 2.875 | 3000 | 1.781 |

Male J.I.C. (37°) X Female Pipe (N.P.T.F.)

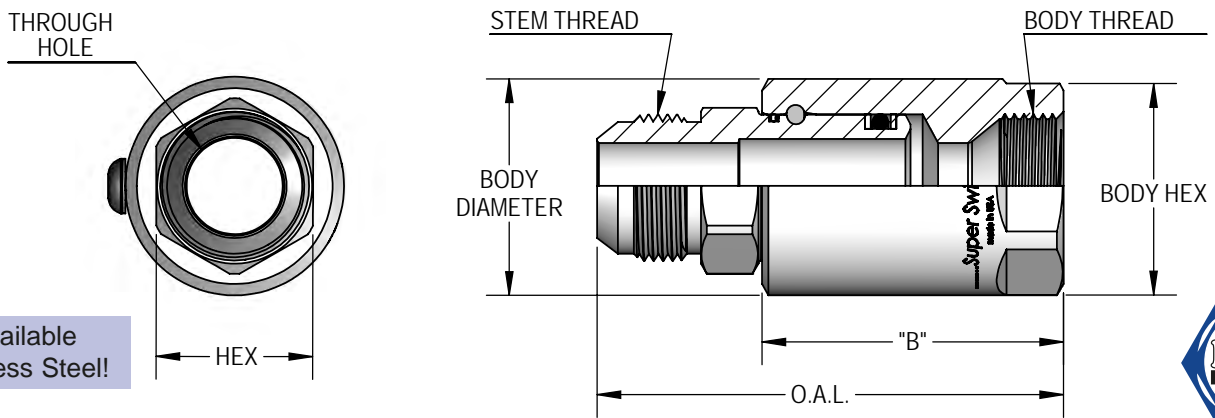


Not Available
In Stainless Steel!



| PART NUMBER | O.A.L. | DIM. B | STEM THREAD | BODY THREAD | STEM HEX | DIAMETER | WRENCH | MAX P.S.I.G. | THROUGH HOLE |
|----------------------|--------|--------|----------------|-----------------------|----------|----------|--------|--------------|--------------|
| SS 4 MJ 6 X FP 25 | 2.670 | 1.720 | 9/16-18 U.N. | 1/4-18 N.P.T.F. | 0.625 | 0.990 | 0.875 | 5000 | 0.250 |
| SS 8 MJ 6 X FP 38 | 2.555 | 1.575 | 9/16-18 U.N. | 3/8-18 N.P.T. | 1.00 | 1.292 | 1.125 | 5000 | 0.297 |
| SS 8 MJ 8 X FP 38 | 2.655 | 1.575 | 3/4-16 U.N. | 3/8-18 N.P.T.F. | 1.000 | 1.292 | 1.125 | 5000 | 0.406 |
| SS 8 MJ 8 X FP 50 | 2.740 | 1.650 | 3/4-16 U.N. | 1/2-14 N.P.T.F. | 1.000 | 1.480 | 1.250 | 5000 | 0.406 |
| SS 8 MJ 10 X FP 50 | 2,840 | 1.650 | 7/8-14 U.N. | 1/2-14 N.P.T.F. | 1.000 | 1.480 | 1.250 | 5000 | 0.484 |
| SS 12 MJ 12 X FP 75 | 3.210 | 1.850 | 1 1/16-12 U.N. | 3/4-14 N.P.T.F. | 1.125 | 1.675 | 1.500 | 4500 | 0.609 |
| SS 16 MJ 16 X FP 100 | 3.700 | 2.225 | 1 5/16-12 U.N. | 1-11 1/2 N.P.T.F. | 1.375 | 1.917 | 1.750 | 4000 | 0.844 |
| SS 20 MJ 20 X FP 125 | 4.230 | 2.685 | 1 5/8-12 U.N. | 1 1/4-11 1/2 N.P.T.F. | 1.750 | 2.357 | 2.125 | 4000 | 1.078 |
| SS 24 MJ 24 X FP 150 | 4.715 | 2.950 | 1 7/8-12 U.N. | 1 1/2-11 1/2 N.P.T.F. | 2.000 | 2.547 | 2.375 | 4000 | 1.312 |
| SS 32 MJ 32 X FP 200 | 5.465 | 3.450 | 2 1/2-12 U.N. | 2-11 1/2 N.P.T.F. | 2.625 | 2.875 | 3.052 | 3000 | 1.780 |

Male J.I.C. (37°) X Female J.I.C. (37°)

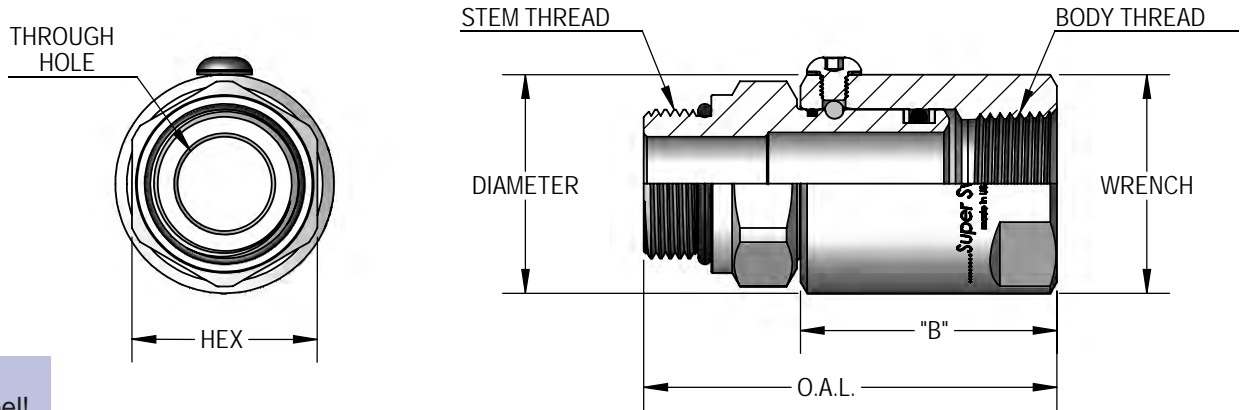


Not Available
In Stainless Steel!



| PART NUMBER | O.A.L. | DIM. B | STEM THREAD | BODY THREAD | STEM HEX | BODY HEX/WRENCH | BODY DIA. | MAX P.S.I.G. | THROUGH HOLE |
|---------------------|--------|--------|----------------|----------------|----------|-----------------|-----------|--------------|--------------|
| SS 4 MJ 4 X FJ 4 | 2.578 | 1.648 | 7/16-20 U.N. | 7/16-20 U.N. | 0.625 | 1.000 | HEX | 5000 | 0.172 |
| SS 4 MJ 5 X FJ 5 | 2.578 | 1.648 | 1/2-20 U.N. | 1/2-20 U.N. | 0.625 | 1.000 | HEX | 5000 | 0.234 |
| SS 4 MJ 6 X FJ 6 | 2.770 | 1.820 | 9/16-18 U.N. | 9/16-18 U.N. | 0.625 | 1.000 | HEX | 5000 | 0.250 |
| SS 8 MJ 8 X FJ 8 | 3.035 | 1.950 | 3/4-16 U.N. | 3/4-16 U.N. | 1.000 | 1.375 | 1.480 | 5000 | 0.406 |
| SS 8 MJ 10 X FJ 10 | 3.235 | 2.050 | 7/8-14 U.N. | 7/8-14 U.N. | 1.000 | 1.375 | 1.480 | 5000 | 0.484 |
| SS 12 MJ 12 X FJ 12 | 3.505 | 2.145 | 1 1/16-12 U.N. | 1 1/16-12 U.N. | 1.125 | 1.500 | 1.675 | 4500 | 0.609 |
| SS 16 MJ 16 X FJ 16 | 4.091 | 2.646 | 1 5/16-12 U.N. | 1 5/16-12 U.N. | 1.375 | 1.750 | 1.917 | 4000 | 0.844 |
| SS 20 MJ 20 X FJ 20 | 4.395 | 2.850 | 1 5/8-12 U.N. | 1 5/8-12 U.N. | 1.750 | 2.125 | 2.357 | 4000 | 1.078 |
| SS 24 MJ 24 X FJ 24 | 5.175 | 3.410 | 1 7/8-12 U.N. | 1 7/8-12 U.N. | 2.000 | 2.375 | 2.550 | 4000 | 1.312 |
| SS 32 MJ 32 X FJ 32 | 6.080 | 4.075 | 2 1/2-12 U.N. | 2 1/2-12 U.N. | 2.625 | 2.875 | 3.052 | 3000 | 1.780 |

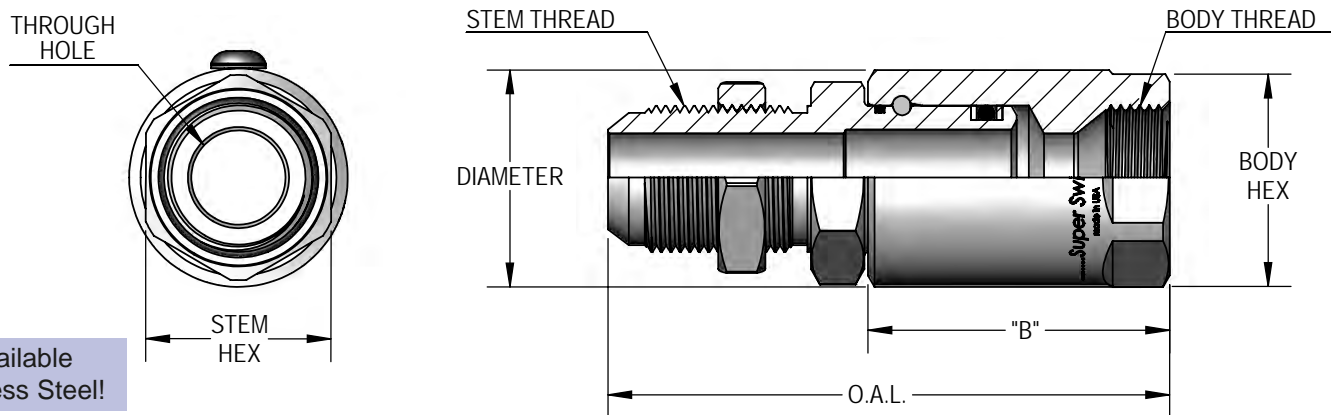
Male O-Ring (O.R.B.) X Female Pipe (N.P.T.F.)



Not Available
In Stainless Steel!

| PART NUMBER | O.A.L. | DIM. B | STEM THREAD | BODY THREAD | HEX | DIAMETER | WRENCH | MAX P.S.I.G. | THROUGH HOLE |
|----------------------|--------|--------|----------------|-----------------------|-------|----------|--------|--------------|--------------|
| SS 4 MO 6 X FP 25 | 2.540 | 1.720 | 9/16-18 U.N. | 1/4-18 N.P.T.F. | 0.750 | 0.992 | 0.875 | 5000 | 0.250 |
| SS 8 MO 8 X FP 38 | 2.510 | 1.550 | 3/4-16 U.N. | 3/8-18 N.P.T.F. | 1.000 | 1.292 | 1.125 | 5000 | 0.406 |
| SS 8 MO 8 X FP 50 | 2.590 | 1.650 | 3/4-16 U.N. | 1/2-14 N.P.T.F. | 1.000 | 1.480 | 1.250 | 5000 | 0.406 |
| SS 8 MO 10 X FP 50 | 2.710 | 1.650 | 7/8-14 U.N. | 1/2-14 N.P.T.F. | 1.000 | 1.480 | 1.250 | 5000 | 0.484 |
| SS 12 MO 12 X FP 75 | 3.074 | 1.850 | 1 1/16-12 U.N. | 3/4-14 N.P.T.F. | 1.375 | 1.675 | 1.500 | 4500 | 0.609 |
| SS 16 MO 16 X FP 100 | 3.854 | 2.250 | 1 5/16-12 U.N. | 1-11 1/2 N.P.T.F. | 1.625 | 1.917 | 1.750 | 4000 | 0.827 |
| SS 20 MO 20 X FP 125 | 4.150 | 2.685 | 1 5/8-12 U.N. | 1 1/4-11 1/2 N.P.T.F. | 1.875 | 2.357 | 2.125 | 4000 | 1.078 |
| SS 24 MO 24 X FP 150 | 4.550 | 2.950 | 1 7/8-12 U.N. | 1 1/2-11 1/2 N.P.T.F. | 2.125 | 2.547 | 2.375 | 4000 | 1.312 |

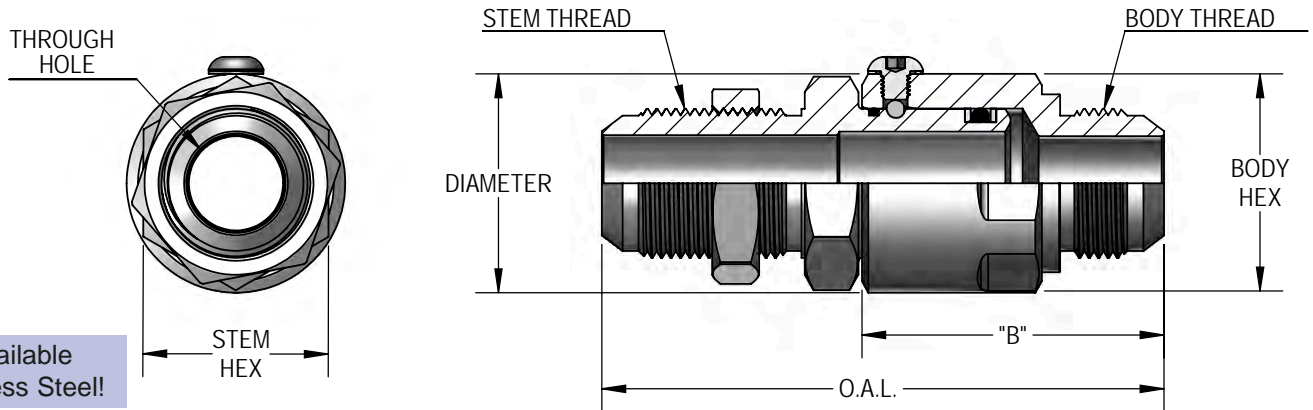
Male J.I.C. Bulkhead (37°) X Female J.I.C. (37°)



Not Available
In Stainless Steel!

| PART NUMBER | O.A.L. | DIM. B | STEM THREAD | BODY THREAD | STEM HEX | BODY HEX/WRENCH | BODY DIA. | MAX P.S.I.G. | THROUGH HOLE |
|----------------------|--------|--------|----------------|----------------|----------|-----------------|-----------|--------------|--------------|
| SS 4 MJB 6 X FJ 6 | 3.410 | 1.820 | 9/16-18 U.N. | 9/16-18 U.N. | .812 | 1.000 | 1.100 | 5000 | 0.250 |
| SS 8 MJB 8 X FJ 8 | 3.770 | 1.950 | 3/4-16 U.N. | 3/4-16 U.N. | 1.000 | 1.375 | 1.480 | 5000 | 0.406 |
| SS 8 MJB 10 X FJ 10 | 4.090 | 2.050 | 7/8-14 U.N. | 7/8-14 U.N. | 1.125 | 1.375 | 1.480 | 5000 | 0.484 |
| SS 12 MJB 12 X FJ 12 | 4.425 | 2.145 | 1 1/16-12 U.N. | 1 1/16-12 U.N. | 1.375 | 1.500 | 1.675 | 4500 | 0.609 |
| SS 16 MJB 16 X FJ 16 | 4.926 | 2.646 | 1 5/16-12 U.N. | 1 5/16-12 U.N. | 1.625 | 1.750 | 1.917 | 4000 | 0.844 |
| SS 20 MJB 20 X FJ 20 | 5.290 | 2.850 | 1 5/8-12 U.N. | 1 5/8-12 U.N. | 1.875 | 2.125 | 2.357 | 4000 | 1.078 |

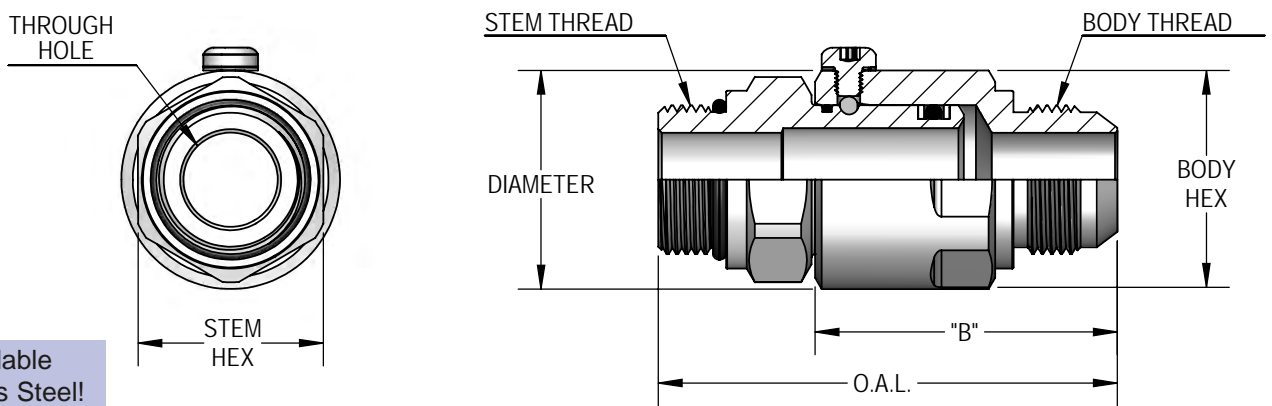
Male J.I.C. Bulkhead (37°) X Male J.I.C. (37°)



Not Available
In Stainless Steel!

| PART NUMBER | O.A.L. | DIM. B | STEM THREAD | BODY THREAD | STEM HEX | BODY HEX/WRENCH | BODY DIA. | MAX P.S.I.G. | THROUGH HOLE |
|----------------------|--------|--------|----------------|----------------|----------|-----------------|-----------|--------------|--------------|
| SS 4 MJB 6 X MJ 6 | 3.310 | 1.720 | 9/16-18 U.N. | 9/16-18 U.N. | .812 | 1.000 | 1.100 | 5000 | 0.250 |
| SS 8 MJB 8 X MJ 8 | 3.720 | 1.900 | 3/4-16 U.N. | 3/4-16 U.N. | 1.000 | 1.375 | 1.480 | 5000 | 0.406 |
| SS 8 MJB 10 X MJ 10 | 4.090 | 2.050 | 7/8-14 U.N. | 7/8-14 U.N. | 1.125 | 1.375 | 1.480 | 5000 | 0.484 |
| SS 12 MJB 12 X MJ 12 | 4.405 | 2.125 | 1 1/16-12 U.N. | 1 1/16-12 U.N. | 1.375 | 1.560 | 1.675 | 4500 | 0.609 |
| SS 16 MJB 16 X MJ 16 | 4.930 | 2.650 | 1 5/16-12U.N. | 1 5/16-12U.N. | 1.625 | 1.810 | 1.917 | 4000 | 0.827 |
| SS 20 MJB 20 X MJ 20 | 5.290 | 2.850 | 1 5/8-12 U.N. | 1 5/8-12 U.N. | 1.875 | 2.188 | 2.357 | 4000 | 1.078 |

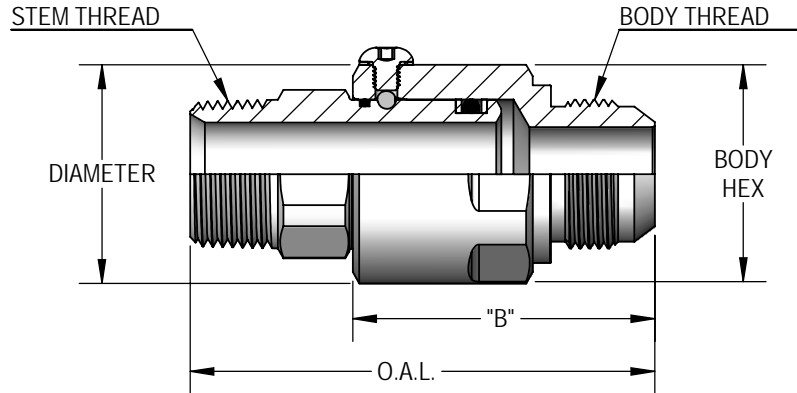
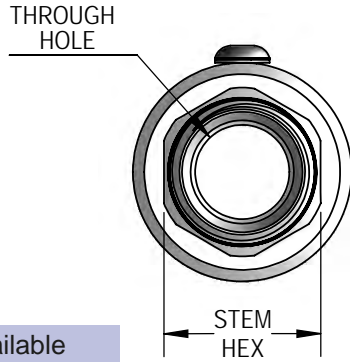
Male O-Ring (O.R.B.) X Male J.I.C. (37°)



Not Available
In Stainless Steel!

| PART NUMBER | O.A.L. | DIM. B | STEM THREAD | BODY THREAD | STEM HEX | BODY HEX/WRENCH | BODY DIA. | MAX P.S.I.G. | THROUGH HOLE |
|---------------------|--------|--------|----------------|----------------|----------|-----------------|-----------|--------------|--------------|
| SS 4 MO 4 X MJ 4 | 2.540 | 1.720 | 7/16-20 U.N. | 7/16-20 U.N. | 0.625 | 1.000 | HEX | 5000 | 0.172 |
| SS 4 MO 6 X MJ 6 | 2.540 | 1.720 | 9/16-18 U.N. | 9/16-18 U.N. | 0.750 | 1.000 | HEX | 5000 | 0.250 |
| SS 8 MO 8 X MJ 8 | 2.838 | 1.900 | 3/4-16 U.N. | 3/4-16 U.N. | 1.000 | 1.375 | 1.480 | 5000 | 0.406 |
| SS 8 MO 10 X MJ 8 | 2.960 | 1.900 | 7/8-14 U.N. | 3/4-16 U.N. | 1.000 | 1.375 | 1.480 | 5000 | 0.406 |
| SS 8 MO 10 X MJ 10 | 3.110 | 2.050 | 7/8-14 U.N. | 7/8-14 U.N. | 1.000 | 1.375 | 1.492 | 5000 | 0.484 |
| SS 12 MO 12 X MJ 12 | 3.480 | 2.250 | 1 1/16-12 U.N. | 1 1/16-12 U.N. | 1.375 | 1.560 | 1.675 | 4500 | 0.609 |
| SS 16 MO 16 X MJ 16 | 4.024 | 2.650 | 1 5/16-12 U.N. | 1 5/16-12U.N. | 1.625 | 1.810 | 1.917 | 4000 | 0.827 |
| SS 20 MO 20 X MJ 20 | 4.315 | 2.850 | 1 5/8-12 U.N. | 1 5/8-12 U.N. | 1.875 | 2.188 | 2.357 | 4000 | 1.078 |
| SS 24 MO 24 X MJ 24 | 5.039 | 3.444 | 1 7/8-12 U.N. | 1 7/8-12 U.N. | 2.120 | 2.375 | 2.547 | 4000 | 1.312 |

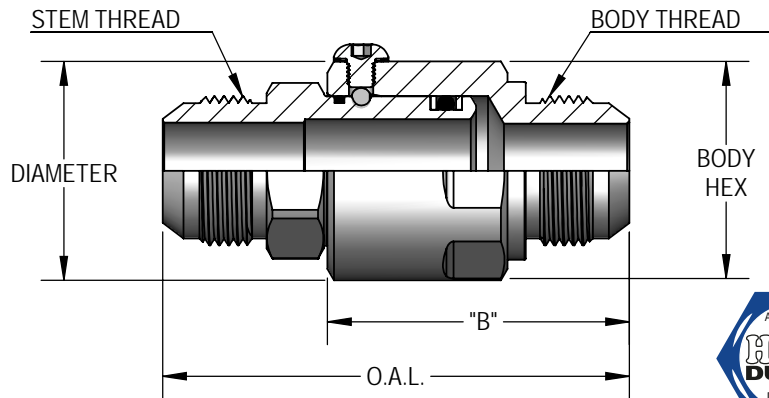
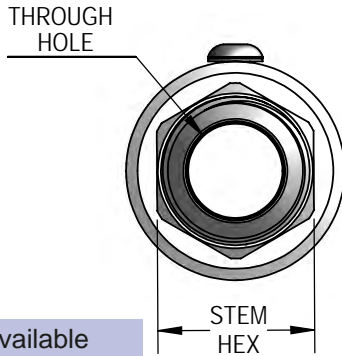
Male Pipe (N.P.T.F.) X Male J.I.C. (37°)



Not Available
In Stainless Steel!

| PART NUMBER | O.A.L. | DIM. B | STEM THREAD | BODY THREAD | STEM HEX | BODY HEX/WRENCH | BODY DIA. | MAX P.S.I.G. | THROUGH HOLE |
|----------------------|--------|--------|-----------------------|----------------|----------|-----------------|-----------|--------------|--------------|
| SS 4 MP 25 X MJ 4 | 2.450 | 1.720 | 1/4-18 N.P.T.F. | 7/16-20 U.N. | 0.625 | 1.000 | HEX | 5000 | 0.180 |
| SS 4 MP 25 X MJ 6 | 2.450 | 1.720 | 1/4-18 N.P.T.F. | 9/16-18 U.N. | 0.625 | 1.000 | HEX | 5000 | 0.250 |
| SS 4 MP 38 X MJ 6 | 2.530 | 1.720 | 3/8-18 N.P.T.F. | 9/16-18 U.N. | 0.750 | 1.000 | HEX | 5000 | 0.250 |
| SS 8 MP 38 X MJ 8 | 3.010 | 1.900 | 3/8-18 N.P.T.F. | 3/4-16 U.N. | 1.000 | 1.375 | 1.480 | 5000 | 0.406 |
| SS 8 MP 38 X MJ 10 | 3.160 | 2.050 | 3/8-18 N.P.T.F. | 7/8-14 U.N. | 1.000 | 1.375 | 1.480 | 5000 | 0.406 |
| SS 8 MP 50 X MJ 8 | 3.090 | 1.900 | 1/2-14 N.P.T.F. | 3/4-16 U.N. | 1.000 | 1.375 | 1.480 | 5000 | 0.406 |
| SS 8 MP 50 X MJ 10 | 3.230 | 2.050 | 1/2-14 N.P.T.F. | 7/8-14 U.N. | 1.000 | 1.375 | 1.480 | 5000 | 0.484 |
| SS 12 MP 75 X MJ 12 | 3.360 | 2.125 | 3/4-14 N.P.T.F. | 1 1/16-12 U.N. | 1.125 | 1.560 | 1.675 | 4500 | 0.609 |
| SS 16 MP 100 X MJ 16 | 4.075 | 2.650 | 1-11 1/2 N.P.T.F. | 1 5/16-12 U.N. | 1.375 | 1.810 | 1.917 | 4000 | 0.827 |
| SS 20 MP 125 X MJ 20 | 4.355 | 2.850 | 1 1/4-11 1/2 N.P.T.F. | 1 5/8-12 U.N. | 1.750 | 2.188 | 2.357 | 4000 | 1.078 |
| SS 24 MP 150 X MJ 24 | 5.119 | 3.444 | 1 1/2-11 1/2 N.P.T.F. | 1 7/8-12 U.N. | 2.000 | 2.375 | 2.557 | 4000 | 1.312 |
| SS 32 MP 200 X MJ 32 | 5.690 | 4.090 | 2-11 1/2 N.P.T.F. | 2 1/2-12 U.N. | 2.500 | 2.875 | 3.052 | 3000 | 1.780 |

Male J.I.C. (37°) X Male J.I.C. (37°)

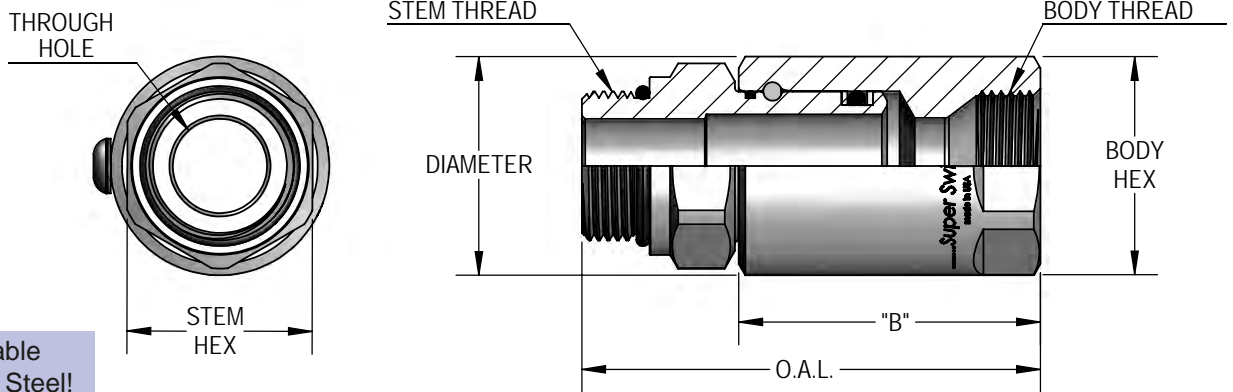


Not Available
In Stainless Steel!



| PART NUMBER | O.A.L. | DIM. B | STEM THREAD | BODY THREAD | STEM HEX | BODY HEX/WRENCH | BODY DIA. | MAX P.S.I.G. | THROUGH HOLE |
|---------------------|--------|--------|----------------|----------------|----------|-----------------|-----------|--------------|--------------|
| SS 4 MJ 4 X MJ 4 | 2.650 | 1.720 | 7/16-20 U.N. | 7/16-20 U.N. | 0.625 | 1.000 | HEX | 5000 | 0.172 |
| SS 4 MJ 6 X MJ 6 | 2.670 | 1.720 | 9/16-18 U.N. | 9/16-18 U.N. | 0.625 | 1.000 | HEX | 5000 | 0.250 |
| SS 8 MJ 8 X MJ 8 | 2.985 | 1.900 | 3/4-16 U.N. | 3/4-16 U.N. | 1.000 | 1.375 | 1.480 | 5000 | 0.406 |
| SS 8 MJ 10 X MJ 10 | 3.235 | 2.050 | 7/8-14 U.N. | 7/8-14 U.N. | 1.000 | 1.375 | 1.480 | 5000 | 0.484 |
| SS 12 MJ 12 X MJ 12 | 3.485 | 2.125 | 1 1/16-12 U.N. | 1 1/16-12 U.N. | 1.125 | 1.560 | 1.675 | 4500 | 0.609 |
| SS 16 MJ 16 X MJ 16 | 4.095 | 2.650 | 1 5/16-12 U.N. | 1 5/16-12 U.N. | 1.375 | 1.810 | 1.917 | 4000 | 0.827 |
| SS 20 MJ 20 X MJ 20 | 4.395 | 2.850 | 1 5/8-12 U.N. | 1 5/8-12 U.N. | 1.750 | 2.189 | 2.357 | 4000 | 1.078 |
| SS 24 MJ 24 X MJ 24 | 5.209 | 3.444 | 1 7/8-12 U.N. | 1 7/8-12 U.N. | 2.000 | 2.375 | 2.557 | 4000 | 1.312 |
| SS 32 MJ 32 X MJ 32 | 6.100 | 4.090 | 2 1/2-12 U.N. | 2 1/2-12 U.N. | 2.625 | 2.875 | 3.052 | 3000 | 1.780 |

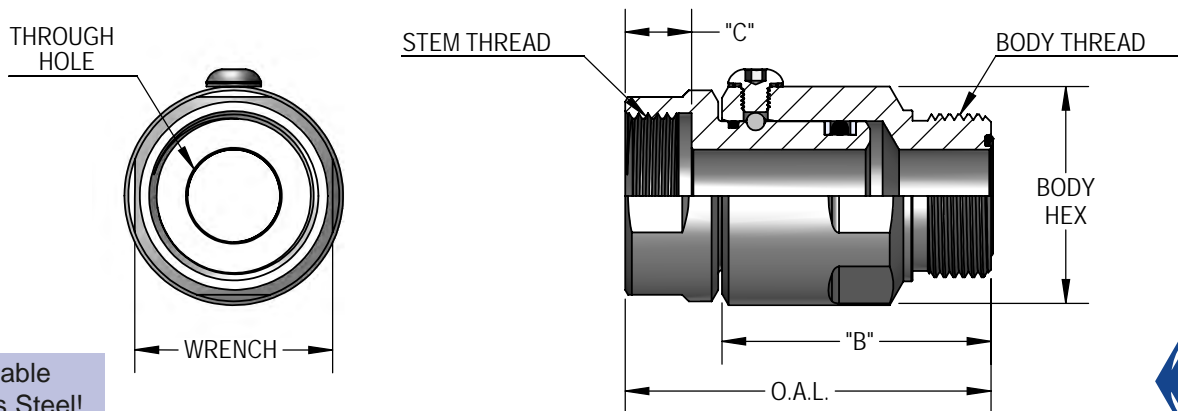
Male O-Ring (O.R.B.) X Female J.I.C. (37°)



Not Available
In Stainless Steel!

| PART NUMBER | O.A.L. | DIM. B | STEM THREAD | BODY THREAD | STEM HEX | BODY HEX/WRENCH | BODY DIA. | MAX P.S.I.G. | THROUGH HOLE |
|---------------------|--------|--------|----------------|----------------|----------|-----------------|-----------|--------------|--------------|
| SS 4 MO 6 X FJ 6 | 2.640 | 1.820 | 9/16-18 U.N. | 9/16-18 U.N. | 0.750 | 1.000 | HEX | 5000 | 0.250 |
| SS 8 MO 8 X FJ 8 | 2.888 | 1.950 | 3/4-16 U.N. | 3/4-16 U.N. | 1.000 | 1.375 | 1.480 | 5000 | 0.406 |
| SS 8 MO 10 X FJ 10 | 3.110 | 2.050 | 7/8-14 U.N. | 7/8-14 U.N. | 1.000 | 1.375 | 1.480 | 5000 | 0.484 |
| SS 12 MO 12 X FJ 12 | 3.369 | 2.145 | 1 1/16-12 U.N. | 1 1/16-12 U.N. | 1.375 | 1.500 | 1.675 | 4500 | 0.609 |
| SS 16 MO 16 X FJ 16 | 4.020 | 2.646 | 1 5/16-12 U.N. | 1 5/16-12 U.N. | 1.625 | 1.750 | 1.917 | 4000 | 0.827 |
| SS 20 MO 20 X FJ 20 | 4.315 | 2.850 | 1 5/8-12 U.N. | 1 5/8-12 U.N. | 1.875 | 2.125 | 2.357 | 4000 | 1.078 |
| SS 24 MO 24 X FJ 24 | 5.005 | 3.410 | 1 7/8-12 U.N. | 1 7/8-12 U.N. | 2.125 | 2.375 | 2.550 | 4000 | 1.312 |

Female Face Seal (F.F.S.) X Male Face Seal (M.F.S.)

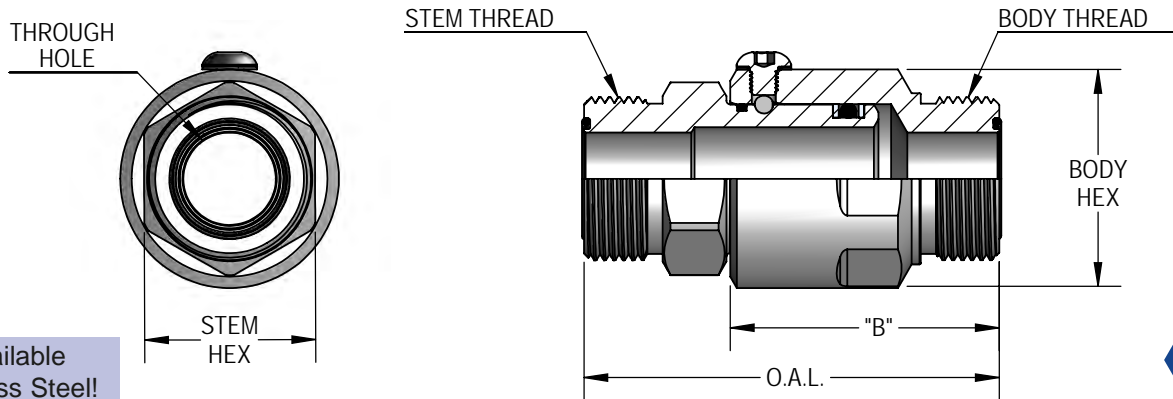


Not Available
In Stainless Steel!



| PART NUMBER | O.A.L. | DIM. B | DIM. C | STEM THREAD | BODY THREAD | WRENCH | BODY HEX/WRENCH | MAX P.S.I.G. | THROUGH HOLE |
|-----------------------|--------|--------|--------|-----------------|-----------------|--------|-----------------|--------------|--------------|
| SS 4 FFS 6 X MFS 6 | 2.200 | 1.640 | 0.375 | 11/16-16 U.N. | 11/16-16 U.N. | 0.875 | 1.000 | 5000 | 0.250 |
| SS 8 FFS 8 X MFS 8 | 2.400 | 1.709 | 0.433 | 13/16-16 U.N. | 13/16-16 U.N. | 1.120 | 1.375 | 5000 | 0.390 |
| SS 8 FFS 10 X MFS 10 | 2.550 | 1.815 | 0.504 | 1-14 U.N. | 1-14 U.N. | 1.250 | 1.375 | 5000 | 0.484 |
| SS 12 FFS 12 X MFS 12 | 2.690 | 1.900 | 0.571 | 1 3/16-12 U.N. | 1 3/16-12 U.N. | 1.500 | 1.560 | 4500 | 0.609 |
| SS 16 FFS 16 X MFS 16 | 3.310 | 2.360 | 0.583 | 1 7/16-12 U.N. | 1 7/16-12 U.N. | 1.750 | 1.810 | 4000 | 0.811 |
| SS 20 FFS 20 X MFS 20 | 3.390 | 2.500 | 0.583 | 1 11/16-12 U.N. | 1 11/16-12 U.N. | 2.125 | 2.188 | 4000 | 1.024 |
| SS 24 FFS 24 X MFS 24 | 3.950 | 3.050 | 0.583 | 2-12 U.N. | 2-12 U.N. | 2.375 | 2.375 | 4000 | 1.260 |

Male Face Seal (M.F.S.) X Male Face Seal (M.F.S.)

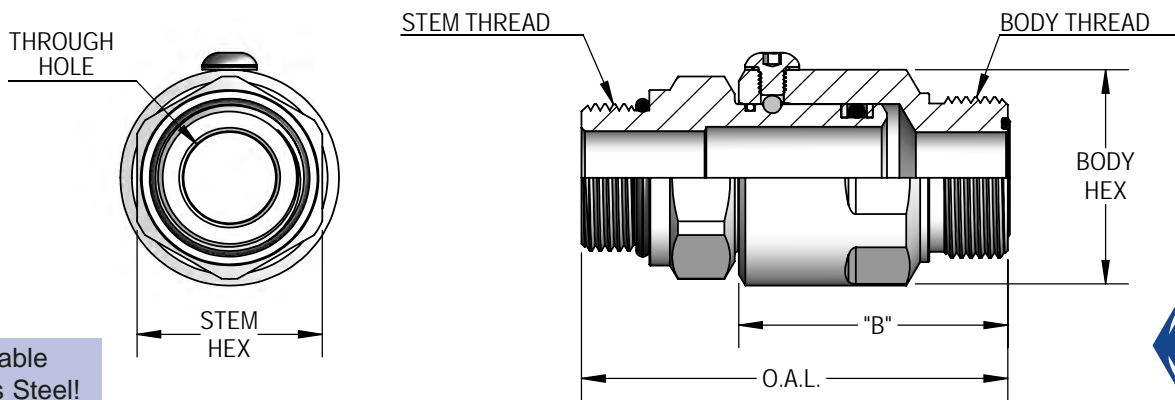


Not Available
In Stainless Steel!



| PART NUMBER | O.A.L. | DIM. B | STEM THREAD | BODY THREAD | STEM HEX | BODY HEX/WRENCH | MAX P.S.I.G. | THROUGH HOLE |
|-----------------------|--------|--------|--|--|----------|-----------------|--------------|--------------|
| SS 4 MFS 6 X MFS 6 | 2.421 | 1.640 | 11/16-16 U.N. | 11/16-16 U.N. | 0.750 | 1.000 | 5000 | 0.250 |
| SS 8 MFS 8 X MFS 8 | 2.633 | 1.709 | 13/16-16 U.N. | 13/16-16 U.N. | 1.000 | 1.375 | 5000 | 0.390 |
| SS 8 MFS 10 X MFS 10 | 2.935 | 1.815 | 1-14 U.N. | 1-14 U.N. | 1.125 | 1.375 | 5000 | 0.484 |
| SS 12 MFS 12 X MFS 12 | 3.120 | 1.900 | 1 ³ / ₁₆ -12 U.N. | 1 ³ / ₁₆ -12 U.N. | 1.250 | 1.560 | 4500 | 0.609 |
| SS 16 MFS 16 X MFS 16 | 3.639 | 2.360 | 1 ⁷ / ₁₆ -12 U.N. | 1 ⁷ / ₁₆ -12 U.N. | 1.500 | 1.810 | 4000 | 0.811 |
| SS 20 MFS 20 X MFS 20 | 3.859 | 2.500 | 1 ¹¹ / ₁₆ -12 U.N. | 1 ¹¹ / ₁₆ -12 U.N. | 1.750 | 2.188 | 4000 | 1.024 |
| SS 24 MFS 24 X MFS 24 | 4.479 | 3.050 | 2-12 U.N. | 2-12 U.N. | 2.125 | 2.375 | 4000 | 1.312 |

Male O-Ring (O.R.B.) X Male Face Seal (M.F.S.)

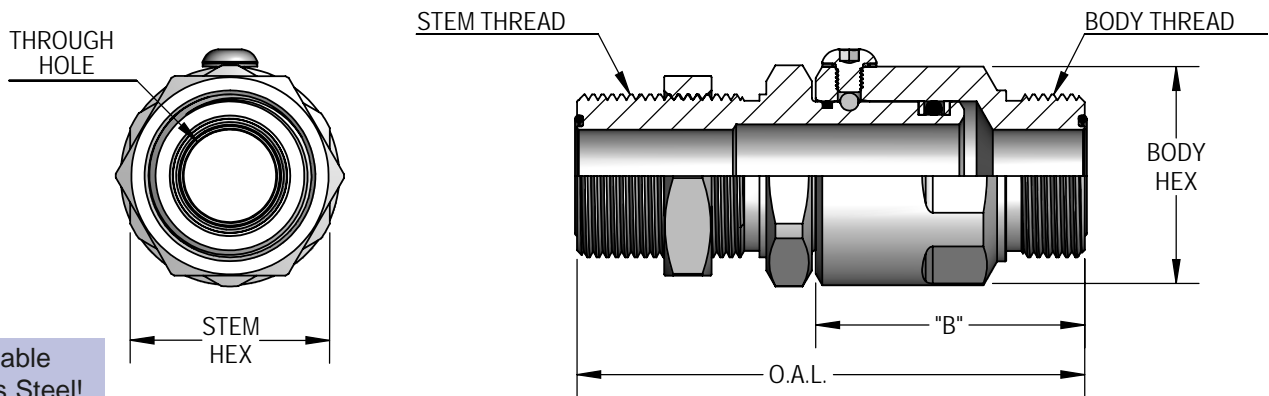


Not Available
In Stainless Steel!



| PART NUMBER | O.A.L. | DIM. B | STEM THREAD | BODY THREAD | STEM HEX | BODY HEX/WRENCH | MAX P.S.I.G. | THROUGH HOLE |
|----------------------|--------|--------|---|--|----------|-----------------|--------------|--------------|
| SS 4 MO 6 X MFS 6 | 2.460 | 1.640 | 9/16-18 U.N. | 11/16-16 U.N. | 0.750 | 1.000 | 5000 | 0.250 |
| SS 8 MO 8 X MFS 8 | 2.647 | 1.709 | 3/4-16 U.N. | 13/16-16 U.N. | 1.000 | 1.375 | 5000 | 0.390 |
| SS 8 MO 10 X MFS 10 | 2.875 | 1.815 | 7/8-14 U.N. | 1-14 U.N. | 1.000 | 1.375 | 5000 | 0.484 |
| SS 12 MO 12 X MFS 12 | 3.124 | 1.900 | 1 ¹ / ₁₆ -12 U.N. | 1 ³ / ₁₆ -12 U.N. | 1.375 | 1.560 | 4500 | 0.609 |
| SS 16 MO 16 X MFS 16 | 3.734 | 2.360 | 1 ⁵ / ₁₆ -12 U.N. | 1 ⁷ / ₁₆ -12 U.N. | 1.625 | 1.810 | 4000 | 0.811 |
| SS 20 MO 20 X MFS 20 | 3.965 | 2.500 | 1 ⁵ / ₈ -12 U.N. | 1 ¹¹ / ₁₆ -12 U.N. | 1.875 | 2.188 | 4000 | 1.024 |
| SS 24 MO 24 X MFS 24 | 4.645 | 3.050 | 1 ⁷ / ₈ -12 U.N. | 2-12 U.N. | 2.125 | 2.375 | 4000 | 1.312 |

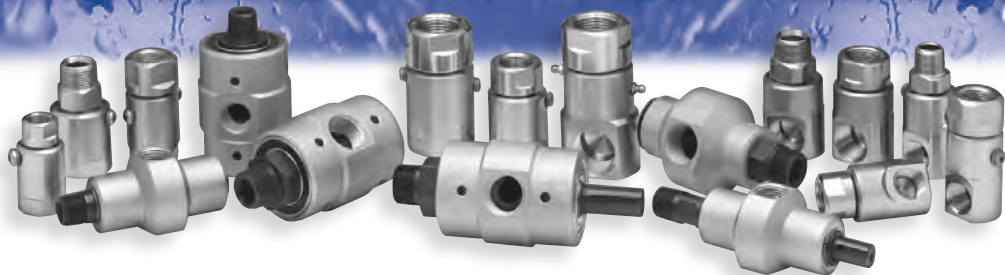
Male Face Seal Bulkhead (M.F.S.B.) X Male Face Seal (M.F.S.)



Not Available
In Stainless Steel!

| PART NUMBER | O.A.L. | DIM. B | STEM THREAD | BODY THREAD | STEM HEX | BODY HEX/WRENCH | MAX P.S.I.G. | THROUGH HOLE |
|------------------------|--------|--------|----------------|----------------|----------|-----------------|--------------|--------------|
| SS 4 MFSB 6 X MFS 6 | 3.320 | 1.640 | 11/16-16 U.N. | 11/16-16 U.N. | 1.000 | 1.000 | 5000 | 0.250 |
| SS 8 MFSB 8 X MFS 8 | 3.529 | 1.709 | 13/16-16 U.N. | 13/16-16 U.N. | 1.125 | 1.375 | 5000 | 0.390 |
| SS 8 MFSB 10 X MFS 10 | 3.798 | 1.815 | 1 -14 U.N. | 1-14 U.N. | 1.125 | 1.375 | 5000 | 0.484 |
| SS 12 MFSB 12 X MFS 12 | 3.980 | 1.900 | 13/16-12 U.N. | 13/16-12 U.N. | 1.500 | 1.560 | 4500 | 0.609 |
| SS 16 MFSB 16 X MFS 16 | 4.450 | 2.360 | 17/16-12 U.N. | 17/16-12 U.N. | 1.750 | 1.810 | 4000 | 0.811 |
| SS 20 MFSB 20 X MFS 20 | 4.640 | 2.500 | 111/16-12 U.N. | 111/16-12 U.N. | 2.000 | 2.188 | 4000 | 1.024 |

Automatic Car Wash Industry



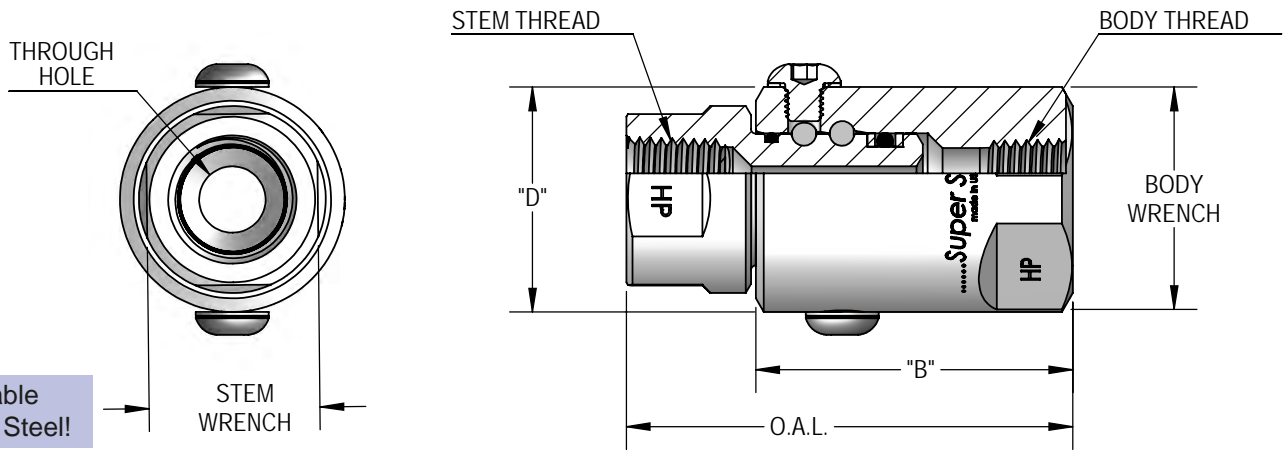
Features For The Car Wash Industry

Super Swivels offers a large variety of sizes and configurations to fulfill industry applications. Our superior alloy steel construction and stainless steel ball bearings resist heavy side loads and provide a long life of service. Quality patented design coupled with meticulous construction, combined with rebuilding kits assure the best value and longest life in tough use.

Visit our website to see
our complete selection and catalog.



10,000 P.S.I. Female Pipe (N.P.T.F.) X Female Pipe (N.P.T.F.)

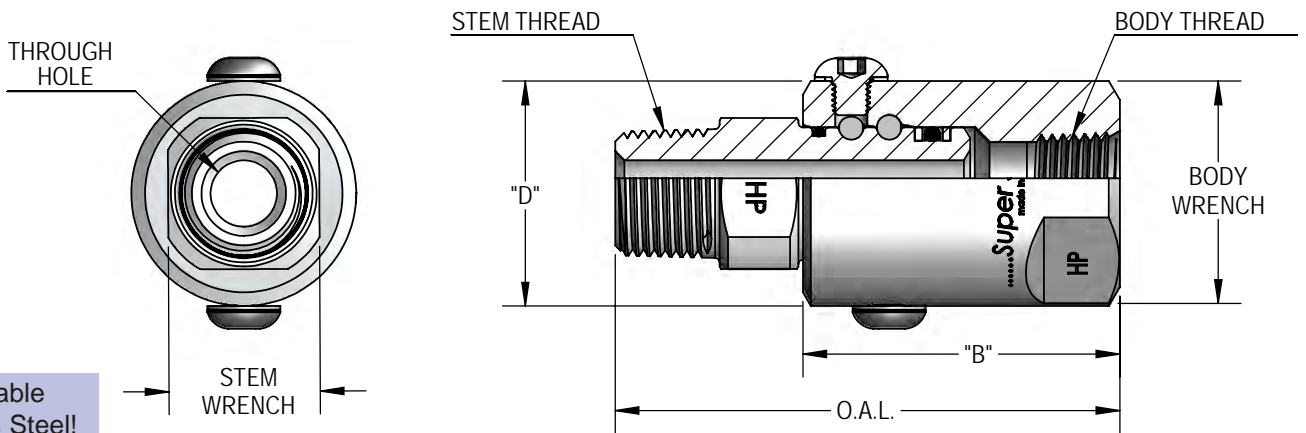


Not Available
In Stainless Steel!

| PART NUMBER | O.A.L. | DIM. B | DIM. D | WRENCH | BODY THREAD | STEM THREAD | STEM WRENCH | MAX P.S.I.G. | THROUGH HOLE |
|-----------------------|--------|--------|--------|--------|-----------------|-------------------|-------------|--------------|--------------|
| SS 8 HP FP 38 X FP 38 | 2.500 | 1.830 | 1.480 | 1.125 | 3/8-18 N.P.T.F. | 3/8-18 N.P.T.F. | 1.125 | 10,000 | 0.437 |
| SS 8 HP FP 50 X FP 50 | 2.935 | 2.085 | 1.480 | 1.250 | 1/2-14 N.P.T.F. | 1/2-14 N.P.T.F.F. | 1.125 | 10,000 | 0.437 |

HIGH PRESSURE ~ 10,000 P.S.I.

10,000 P.S.I. Male Pipe (N.P.T.F.) X Female Pipe (N.P.T.F.)



Not Available
In Stainless Steel!

| PART NUMBER | O.A.L. | DIM. B | DIM. D | WRENCH | BODY THREAD | STEM THREAD | STEM WRENCH | MAX P.S.I.G. | THROUGH HOLE |
|-----------------------|--------|--------|--------|--------|-----------------|-----------------|-------------|--------------|--------------|
| SS 8 HP MP 38 X FP 38 | 2.930 | 1.830 | 1.480 | 1.250 | 3/8-18 N.P.T.F. | 3/8-18 N.P.T.F. | 1.000 | 10,000 | 0.312 |
| SS 8 HP MP 50 X FP 50 | 3.070 | 2.085 | 1.480 | 1.250 | 1/2-14 N.P.T.F. | 1/2-14 N.P.T.F. | 1.000 | 10,000 | 0.437 |

90° Swivels



Switch Your Swivel!®

90° Swivels rotating joints provide free rotation on one axis with a right-angle change of path. They reduce the complexity of hose lines providing for minimal friction and allowing free movement of hoses and piping. 90° Super Swivels allow for sharp corners with reduced risk of kinks and flow restriction and free rotation. Super Swivels ball bearing race design withstands heavy side loads preventing premature seal wear and leaks. Super Swivels connect directly to hose lines without adapters reducing overall costs of hydraulics. 90° Swivels sizes range from 1/8" through 2" body thread with numerous fittings and seal configurations.

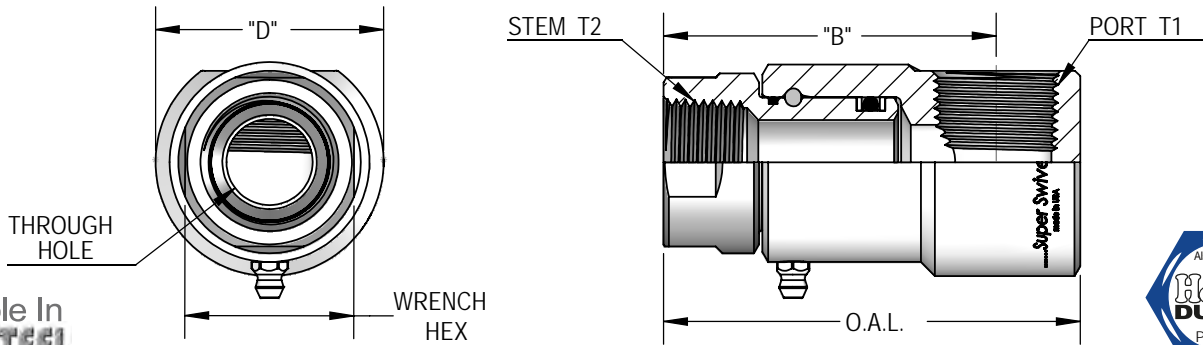
www.SuperSwivels.com

Email: sales@superswivels.com

763-784-5531

Fax: 763-784-7423

Female Pipe (N.P.T.F.) X Female Pipe (N.P.T.F.)

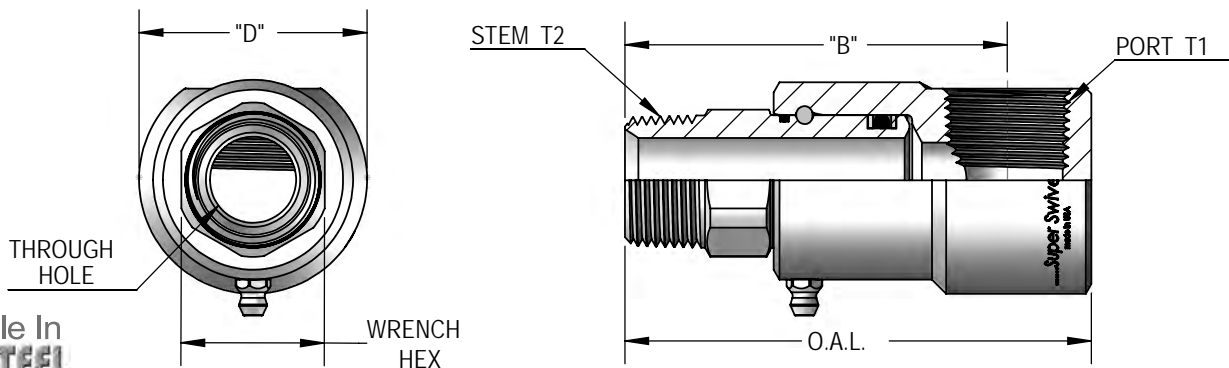


Also Available In **STAINLESS STEEL**

*9SS 2 FP 12.5 X FP 12.5 NOT Available in Stainless Steel

| PART NUMBER | O.A.L. | DIM. B | DIM. D Ø | WRENCH/HEX | PORT T1 | STEM T2 | SWG. RADIUS | MAX. P.S.I.G. | THROUGH HOLE |
|---------------------------|--------|--------|----------|------------|--|--|-------------|---------------|--------------|
| *9 SS 2 FP 12.5 X FP 12.5 | 1.784 | 1.524 | 0.879 | 0.625 | 1/8-27 N.P.T.F. | 1/8-27 N.P.T.F. | 0.375 | 5000 | 0.157 |
| 9 SS 4 FP 25 X FP 25 | 2.240 | 1.875 | 1.192 | 0.750 | 1/4-18 N.P.T.F. | 1/4-18 N.P.T.F. | 0.525 | 5000 | 0.250 |
| 9 SS 8 FP 38 X FP 38 | 2.673 | 2.126 | 1.495 | 0.875 | 3/8-18 N.P.T.F. | 3/8-18 N.P.T.F. | 0.588 | 5000 | 0.530 |
| 9 SS 8 FP 50 X FP 50 | 2.820 | 2.275 | 1.495 | 1.125 | 1/2-14 N.P.T.F. | 1/2-14 N.P.T.F. | 0.588 | 5000 | 0.530 |
| 9 SS 12 FP 75 X FP 75 | 3.030 | 2.365 | 1.710 | 1.375 | 3/4-14 N.P.T.F. | 3/4-14 N.P.T.F. | 0.662 | 4500 | 0.609 |
| 9 SS 16 FP 100 X FP 100 | 4.000 | 3.190 | 2.162 | 1.625 | 1-11 ¹ / ₂ N.P.T.F. | 1-11 ¹ / ₂ N.P.T.F. | 0.824 | 4000 | 0.827 |
| 9 SS 20 FP 125 X FP 125 | 4.365 | 3.395 | 2.702 | 2.000 | 1 ¹ / ₄ -11 ¹ / ₂ N.P.T.F. | 1 ¹ / ₄ -11 ¹ / ₂ N.P.T.F. | 1.049 | 4000 | 1.181 |
| 9 SS 24 FP 150 X FP 150 | 5.605 | 4.375 | 2.917 | 2.375 | 1 ¹ / ₂ -11 ¹ / ₂ N.P.T.F. | 1 ¹ / ₂ -11 ¹ / ₂ N.P.T.F. | 1.076 | 4000 | 1.312 |
| 9 SS 32 FP 200 X FP 200 | 6.420 | 5.050 | 3.667 | 2.875 | 2-11 ¹ / ₂ N.P.T.F. | 2-11 ¹ / ₂ N.P.T.F. | 1.386 | 3000 | 1.781 |

Male Pipe (N.P.T.F.) X Female Pipe (N.P.T.F.)

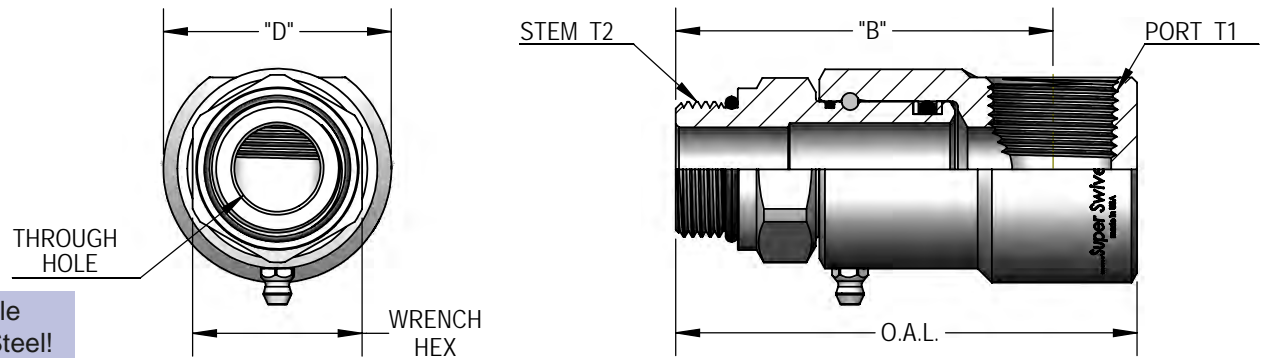


Also Available In **STAINLESS STEEL**

*9SS 2 MP 12.5 X FP 12.5 NOT Available in Stainless Steel

| PART NUMBER | O.A.L. | DIM. B | DIM. D Ø | WRENCH/HEX | PORT T1 | STEM T2 | SWG. RADIUS | MAX. P.S.I.G. | THROUGH HOLE |
|---------------------------|--------|--------|----------|------------|--|--|-------------|---------------|--------------|
| *9 SS 2 MP 12.5 X FP 12.5 | 1.855 | 1.595 | 0.879 | 0.437 | 1/8-27 N.P.T.F. | 1/8-27 N.P.T.F. | 0.375 | 5000 | 0.157 |
| 9 SS 4 MP 25 X FP 25 | 2.370 | 2.000 | 1.192 | 0.625 | 1/4-18 N.P.T.F. | 1/4-18 N.P.T.F. | 0.525 | 5000 | 0.250 |
| 9 SS 4 MP 38 X FP 25 | 2.450 | 2.080 | 1.192 | 0.750 | 1/4-18 N.P.T.F. | 3/8-18 N.P.T.F. | 0.525 | 5000 | 0.250 |
| 9 SS 7 MP 38 X FP 38 | 3.085 | 2.527 | 1.357 | 0.750 | 3/8-18 N.P.T.F. | 3/8-18 N.P.T.F. | 0.565 | 5000 | 0.406 |
| 9 SS 8 MP 38 X FP 38 | 3.100 | 2.550 | 1.495 | 1.000 | 3/8-18 N.P.T.F. | 3/8-18 N.P.T.F. | 0.588 | 5000 | 0.406 |
| 9 SS 8 MP 50 X FP 50 | 3.170 | 2.630 | 1.495 | 1.000 | 1/2-14 N.P.T.F. | 1/2-14 N.P.T.F. | 0.588 | 5000 | 0.530 |
| 9 SS 12 MP 75 X FP 75 | 3.430 | 2.760 | 1.710 | 1.125 | 3/4-14 N.P.T.F. | 3/4-14 N.P.T.F. | 0.643 | 4500 | 0.609 |
| 9 SS 16 MP 100 X FP 100 | 4.475 | 3.667 | 2.162 | 1.375 | 1-11 ¹ / ₂ N.P.T.F. | 1-11 ¹ / ₂ N.P.T.F. | 0.824 | 4000 | 0.827 |
| 9 SS 20 MP 125 X FP 125 | 4.873 | 3.905 | 2.702 | 1.750 | 1 ¹ / ₄ -11 ¹ / ₂ N.P.T.F. | 1 ¹ / ₄ -11 ¹ / ₂ N.P.T.F. | 1.049 | 4000 | 1.181 |
| 9 SS 24 MP 150 X FP 150 | 6.185 | 4.955 | 2.917 | 2.000 | 1 ¹ / ₂ -11 ¹ / ₂ N.P.T.F. | 1 ¹ / ₂ -11 ¹ / ₂ N.P.T.F. | 1.076 | 4000 | 1.312 |
| 9 SS 32 MP 200 X FP 200 | 6.950 | 5.585 | 3.667 | 2.500 | 2-11 ¹ / ₂ N.P.T.F. | 2-11 ¹ / ₂ N.P.T.F. | 1.386 | 3000 | 1.781 |

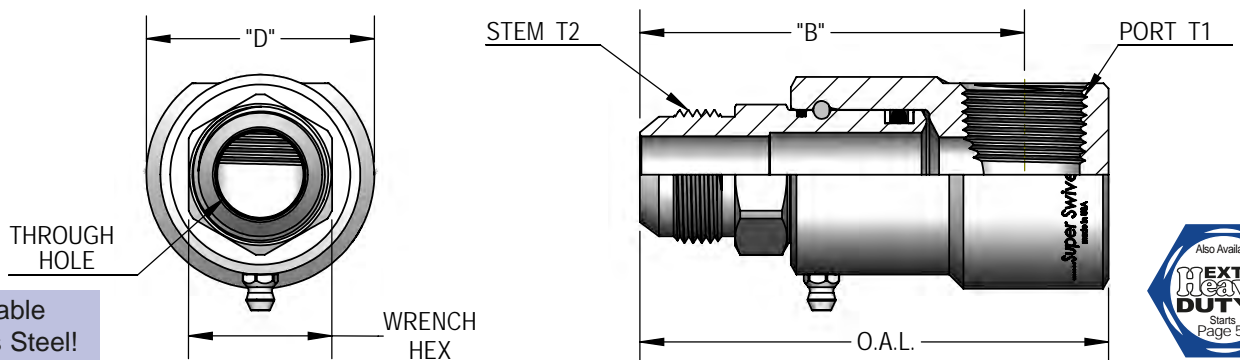
Male O-Ring (O.R.B.) X Female Pipe (N.P.T.F.)



Not Available
In Stainless Steel!

| PART NUMBER | O.A.L. | DIM. B | DIM. D Ø | WRENCH/HEX | PORT T1 | STEM T2 | SWG. RADIUS | MAX. P.S.I.G. | THROUGH HOLE |
|------------------------|--------|--------|----------|------------|------------------------|----------------|-------------|---------------|--------------|
| 9 SS 4 MO 4 X FP 25 | 2.460 | 2.090 | 1.192 | 0.625 | 1/4-18 N.P.T.F. | 7/16-20 U.N. | 0.525 | 5000 | 0.172 |
| 9 SS 4 MO 6 X FP 25 | 2.460 | 2.090 | 1.192 | 0.750 | 1/4-18 N.P.T.F. | 9/16-18 U.N. | 0.525 | 5000 | 0.250 |
| 9 SS 8 MO 8 X FP 38 | 2.930 | 2.380 | 1.495 | 1.000 | 3/8-18 N.P.T.F. | 3/4-16 U.N. | 0.588 | 5000 | 0.391 |
| 9 SS 8 MO 10 X FP 38 | 3.050 | 2.500 | 1.495 | 1.000 | 3/8-18 N.P.T.F. | 7/8-14 U.N. | 0.588 | 5000 | 0.484 |
| 9 SS 8 MO 8 X FP 50 | 2.923 | 2.376 | 1.495 | 1.000 | 1/2-14 N.P.T.F. | 3/4-16 U.N. | 0.588 | 5000 | 0.391 |
| 9 SS 8 MO 10 X FP 50 | 3.045 | 2.498 | 1.495 | 1.000 | 1/2-14 N.P.T.F. | 7/8-14 U.N. | 0.588 | 5000 | 0.484 |
| 9 SS 12 MO 12 X FP 75 | 3.419 | 2.754 | 1.710 | 1.375 | 3/4-14 N.P.T.F. | 1 1/16-12 U.N. | 0.643 | 4500 | 0.609 |
| 9 SS 16 MO 16 X FP 100 | 4.424 | 3.616 | 2.162 | 1.625 | 1-11 1/2 N.P.T.F. | 1 5/16-12 U.N. | 0.827 | 4000 | 0.827 |
| 9 SS 20 MO 20 X FP 125 | 4.833 | 3.865 | 2.702 | 1.875 | 1 1/4 -11 1/2 N.P.T.F. | 1 5/8-12 U.N. | 1.049 | 4000 | 1.078 |
| 9 SS 24 MO 24 X FP 150 | 6.105 | 4.875 | 2.917 | 2.125 | 1 1/2 -11 1/2 N.P.T.F. | 1 7/8-12 U.N. | 1.076 | 4000 | 1.312 |

Male J.I.C. (37°) X Female Pipe (N.P.T.F.)

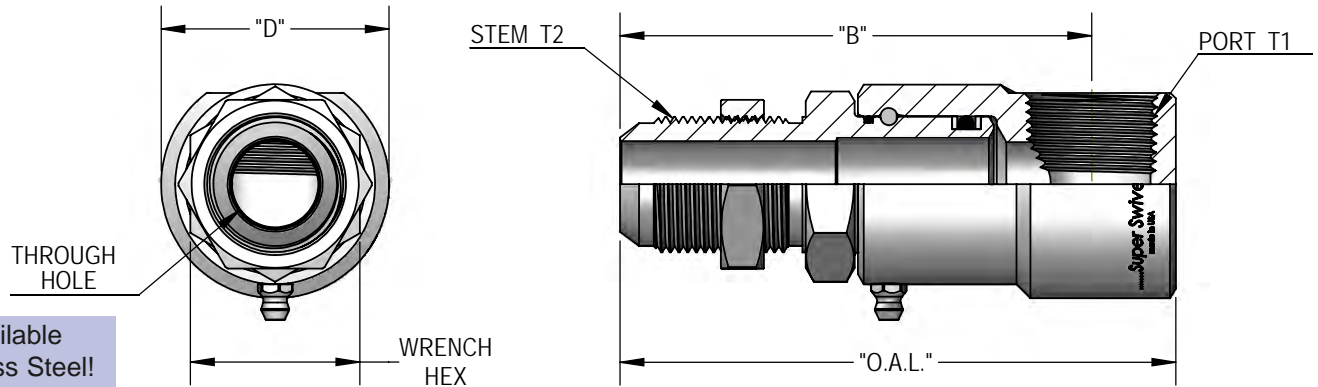


Not Available
In Stainless Steel!



| PART NUMBER | O.A.L. | DIM. B | DIM. D Ø | WRENCH/HEX | PORT T1 | STEM T2 | SWG. RADIUS | MAX. P.S.I.G. | THROUGH HOLE |
|------------------------|--------|--------|----------|------------|-----------------------|----------------|-------------|---------------|--------------|
| 9 SS 4 MJ 4 X FP 25 | 2.570 | 2.200 | 1.190 | 0.625 | 1/4-18 N.P.T.F. | 7/16-20 U.N. | 0.525 | 5000 | 0.172 |
| 9 SS 4 MJ 6 X FP 25 | 2.590 | 2.220 | 1.190 | 0.625 | 1/4-18 N.P.T.F. | 9/16-18 U.N. | 0.525 | 5000 | 0.250 |
| 9 SS 8 MJ 6 X FP 38 | 2.970 | 2.430 | 1.495 | 1.000 | 3/8-18 N.P.T.F. | 9/16-18 U.N. | 0.651 | 5000 | 0.297 |
| 9 SS 8 MJ 8 X FP 38 | 3.080 | 2.460 | 1.495 | 1.000 | 3/8-18 N.P.T.F. | 3/4-16 U.N. | 0.651 | 5000 | 0.391 |
| 9 SS 8 MJ 10 X FP 38 | 3.173 | 2.560 | 1.495 | 1.000 | 3/8-18 N.P.T.F. | 7/8-14 U.N. | 0.651 | 5000 | 0.484 |
| 9 SS 8 MJ 8 X FP 50 | 3.070 | 2.523 | 1.495 | 1.000 | 1/2-14 N.P.T.F. | 3/4-16 U.N. | 0.581 | 5000 | 0.391 |
| 9 SS 8 MJ 10 X FP 50 | 3.170 | 2.623 | 1.495 | 1.000 | 1/2-14 N.P.T.F. | 7/8-14 U.N. | 0.581 | 5000 | 0.484 |
| 9 SS 12 MJ 12 X FP 75 | 3.555 | 2.890 | 1.710 | 1.125 | 3/4-14 N.P.T.F. | 1 1/16-12 U.N. | 0.643 | 4500 | 0.609 |
| 9 SS 16 MJ 16 X FP 100 | 4.495 | 3.687 | 2.160 | 1.375 | 1-11 1/2 N.P.T.F. | 1 1/16-12 U.N. | 0.741 | 4000 | 0.827 |
| 9 SS 20 MJ 20 X FP 125 | 4.913 | 3.945 | 2.700 | 1.750 | 1 1/4-11 1/2 N.P.T.F. | 1 5/8-12 U.N. | 1.049 | 4000 | 1.078 |
| 9 SS 24 MJ 24 X FP 150 | 6.275 | 5.045 | 2.915 | 2.000 | 1 1/2-11 1/2 N.P.T.F. | 1 7/8-12 U.N. | 1.072 | 4000 | 1.312 |
| 9 SS 32 MJ 32 X FP 200 | 7.360 | 5.990 | 3.667 | 2.625 | 2-11 1/2 N.P.T.F. | 2 1/2-12 U.N. | 1.386 | 3000 | 1.780 |

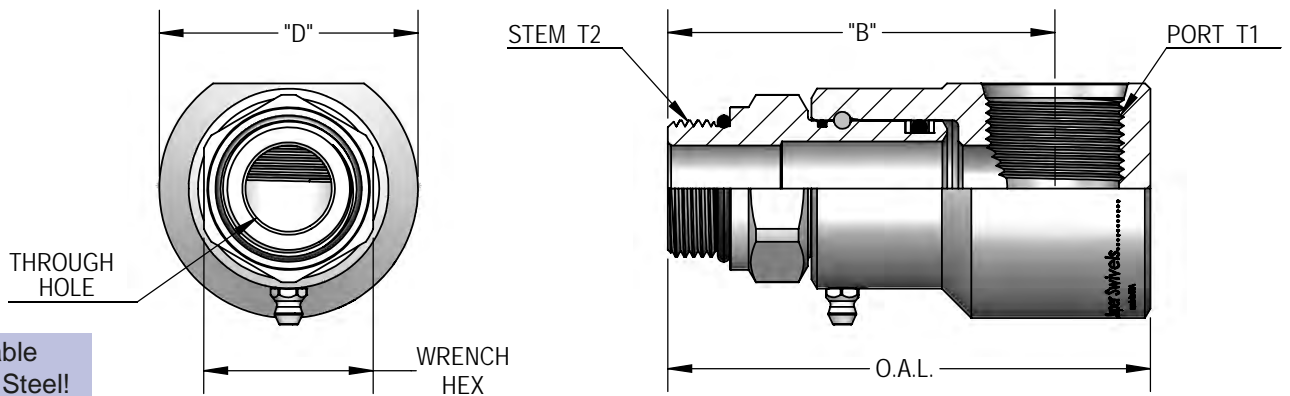
Male J.I.C. Bulkhead (37°) X Female Pipe (N.P.T.F.)



Not Available
In Stainless Steel!

| PART NUMBER | O.A.L. | DIM. B | DIM. D Ø | WRENCH/HEX | PORT T1 | STEM T2 | SWG. RADIUS | MAX. P.S.I.G. | THROUGH HOLE |
|-------------------------|--------|--------|----------|------------|-----------------------|----------------|-------------|---------------|--------------|
| 9 SS 4 MJB 6 X FP 25 | 3.230 | 2.860 | 1.190 | .812 | 1/4-18 N.P.T.F. | 9/16-18 U.N. | 0.530 | 5000 | 0.250 |
| 9 SS 8 MJB 8 X FP 38 | 3.810 | 3.260 | 1.495 | 1.000 | 3/8-18 N.P.T.F. | 3/4-16 U.N. | 0.651 | 5000 | 0.406 |
| 9 SS 8 MJB 8 X FP 50 | 3.805 | 3.258 | 1.495 | 1.000 | 1/2-14 N.P.T.F. | 3/4-16 U.N. | 0.581 | 5000 | 0.406 |
| 9 SS 8 MJB 10 X FP 38 | 4.025 | 3.478 | 1.495 | 1.125 | 3/8-18 N.P.T.F. | 7/8-14 U.N. | 0.650s | 5000 | 0.484 |
| 9 SS 8 MJB 10 X FP 50 | 4.025 | 3.478 | 1.495 | 1.125 | 1/2-14 N.P.T.F. | 7/8-14 U.N. | 0.581 | 5000 | 0.484 |
| 9 SS 12 MJB 12 X FP 75 | 4.475 | 3.810 | 1.710 | 1.375 | 3/4-14 N.P.T.F. | 1 1/16-12 U.N. | 0.643 | 4500 | 0.609 |
| 9 SS 16 MJB 16 X FP 100 | 5.330 | 4.522 | 2.162 | 1.625 | 1-11 1/2 N.P.T.F. | 1 5/16-12 U.N. | 0.741 | 4000 | 0.827 |
| 9 SS 20 MJB 20 X FP 125 | 5.808 | 4.840 | 2.702 | 1.875 | 1 1/4-11 1/2 N.P.T.F. | 1 5/8-12 U.N. | 1.049 | 4000 | 1.073 |

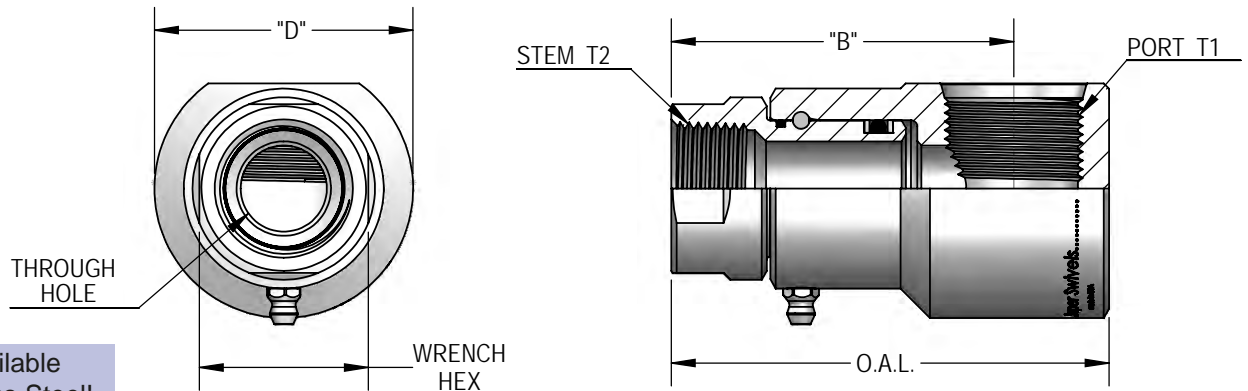
Male O-Ring (O.R.B.) X Female O-Ring (O.R.B.)



Not Available
In Stainless Steel!

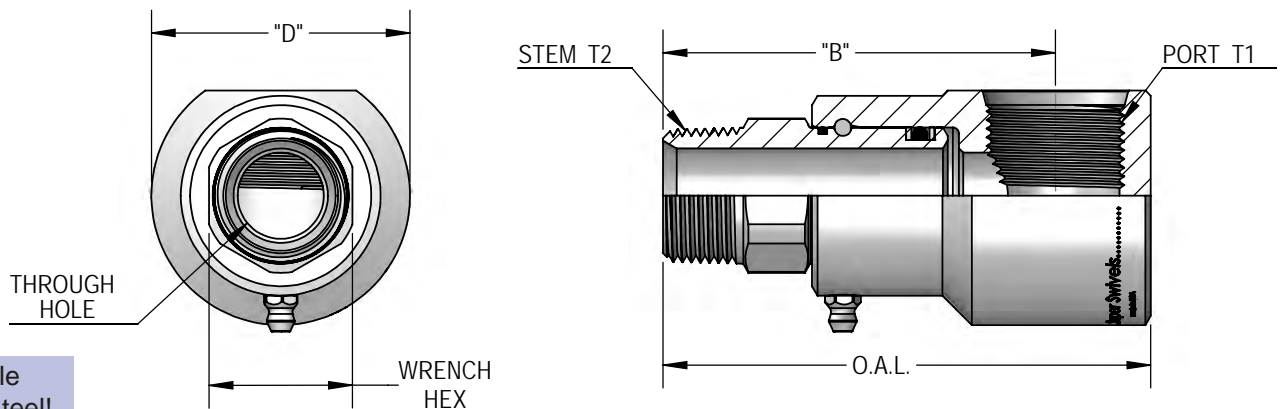
| PART NUMBER | O.A.L. | DIM. B | DIM. D Ø | WRENCH/HEX | PORT T1 | STEM T2 | SWG. RADIUS | MAX. P.S.I.G. | THROUGH HOLE |
|-----------------------|--------|--------|----------|------------|----------------|----------------|-------------|---------------|--------------|
| 9 SS 4 MO 4 X FO 6 | 2.727 | 2.215 | 1.292 | 0.625 | 9/16-18 U.N. | 7/16-20 U.N. | 0.541 | 5000 | 0.172 |
| 9 SS 4 MO 6 X FO 6 | 2.727 | 2.215 | 1.292 | 0.750 | 9/16-18 U.N. | 9/16-18 U.N. | 0.541 | 5000 | 0.250 |
| 9 SS 8 MO 8 X FO 8 | 2.920 | 2.375 | 1.662 | 1.000 | 3/4-16 U.N. | 3/4-16 U.N. | 0.703 | 5000 | 0.391 |
| 9 SS 8 MO 10 X FO 8 | 3.050 | 2.500 | 1.662 | 1.000 | 3/4-16 U.N. | 7/8-14 U.N. | 0.703 | 5000 | 0.484 |
| 9 SS 12 MO 12 X FO 12 | 3.709 | 2.884 | 2.172 | 1.375 | 1 1/16-12 U.N. | 1 1/16-12 U.N. | 0.900 | 4500 | 0.609 |
| 9 SS 16 MO 16 X FO 16 | 4.624 | 3.709 | 2.482 | 1.625 | 1 5/16-12 U.N. | 1 5/16-12 U.N. | 1.009 | 4000 | 0.827 |
| 9 SS 20 MO 20 X FO 20 | 5.127 | 4.044 | 2.977 | 1.875 | 1 5/8-12 U.N. | 1 5/8-12 U.N. | 1.184 | 4000 | 1.078 |

Female Pipe (N.P.T.F.) X Female O-Ring (O.R.B.)



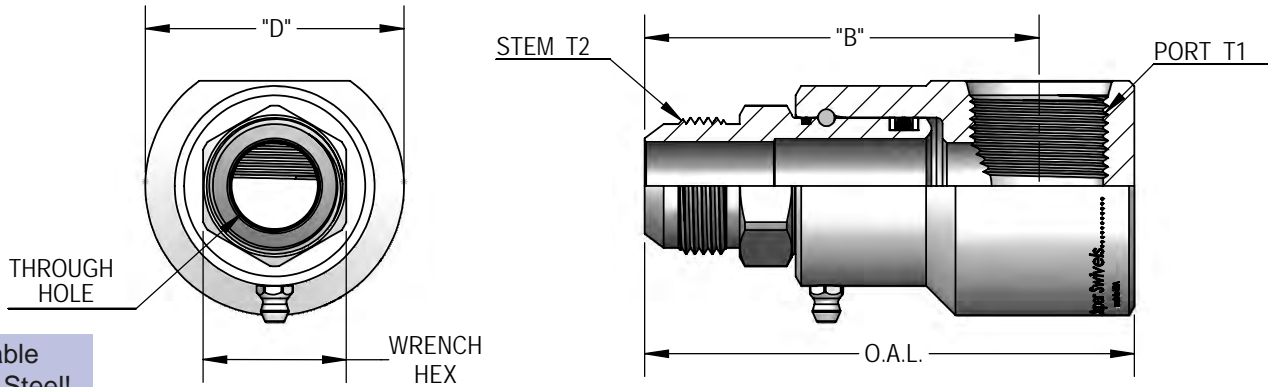
| PART NUMBER | O.A.L. | DIM. B | DIM. D Ø | WRENCH/HEX | PORT T1 | STEM T2 | SWG. RADIUS | MAX. P.S.I.G. | THROUGH HOLE |
|------------------------|--------|--------|----------|------------|---|--|-------------|---------------|--------------|
| 9 SS 4 FP 25 X FO 6 | 2.510 | 2.000 | 1.292 | 0.750 | 9/16-18 U.N. | 1/4-18 N.P.T.F. | 0.541 | 5000 | 0.250 |
| 9 SS 8 FP 38 X FO 8 | 2.670 | 2.125 | 1.662 | 0.875 | 3/4-16 U.N. | 3/8-18 N.P.T.F. | 0.703 | 5000 | 0.530 |
| 9 SS 8 FP 50 X FO 8 | 2.820 | 2.270 | 1.662 | 1.125 | 3/4-16 U.N. | 1/2-14 N.P.T.F. | 0.703 | 5000 | 0.530 |
| 9 SS 12 FP 75 X FO 12 | 3.320 | 2.500 | 2.172 | 1.375 | 1 ¹ / ₁₆ -12 U.N. | 3/4-14 N.P.T.F. | 0.900 | 4500 | 0.609 |
| 9 SS 16 FP 100 X FO 16 | 4.200 | 3.280 | 2.482 | 1.625 | 1 ⁵ / ₁₆ -12 U.N. | 1-11 ¹ / ₂ N.P.T.F. | 1.009 | 4000 | 0.827 |
| 9 SS 20 FP 125 X FO 20 | 4.660 | 3.574 | 2.977 | 2.000 | 1 ⁵ / ₈ -12 U.N. | 1 ¹ / ₄ -11 ¹ / ₂ N.P.T.F. | 1.185 | 4000 | 1.181 |

Male Pipe (N.P.T.F.) X Female O-Ring (O.R.B.)



| PART NUMBER | O.A.L. | DIM. B | DIM. D Ø | WRENCH/HEX | PORT T1 | STEM T2 | SWG. RADIUS | MAX. P.S.I.G. | THROUGH HOLE |
|------------------------|--------|--------|----------|------------|---|--|-------------|---------------|--------------|
| 9 SS 4 MP 25 X FO 6 | 2.640 | 2.130 | 1.292 | 0.625 | 9/16-18 U.N. | 1/4-18 N.P.T.F. | 0.541 | 5000 | 0.250 |
| 9 SS 4 MP 38 X FO 6 | 2.720 | 2.200 | 1.292 | 0.750 | 9/16-18 U.N. | 3/8-18 N.P.T.F. | 0.541 | 5000 | 0.250 |
| 9 SS 8 MP 38 X FO 8 | 3.100 | 2.550 | 1.662 | 1.000 | 3/4-16 U.N. | 3/8-18 N.P.T.F. | 0.703 | 5000 | 0.406 |
| 9 SS 8 MP 50 X FO 8 | 3.170 | 2.620 | 1.662 | 1.000 | 3/4-16 U.N. | 1/2-14 N.P.T.F. | 0.703 | 5000 | 0.530 |
| 9 SS 12 MP 75 X FO 12 | 3.720 | 2.895 | 2.172 | 1.125 | 1 ¹ / ₁₆ -12 U.N. | 3/4-14 N.P.T.F. | 0.900 | 4500 | 0.609 |
| 9 SS 16 MP 100 X FO 16 | 4.675 | 3.760 | 2.482 | 1.375 | 1 ⁵ / ₁₆ -12 U.N. | 1-11 ¹ / ₂ N.P.T.F. | 1.009 | 4000 | 0.827 |
| 9 SS 20 MP 125 X FO 20 | 5.167 | 4.084 | 2.977 | 1.750 | 1 ⁵ / ₈ -12 U.N. | 1 ¹ / ₄ -11 ¹ / ₂ N.P.T.F. | 1.184 | 4000 | 1.181 |

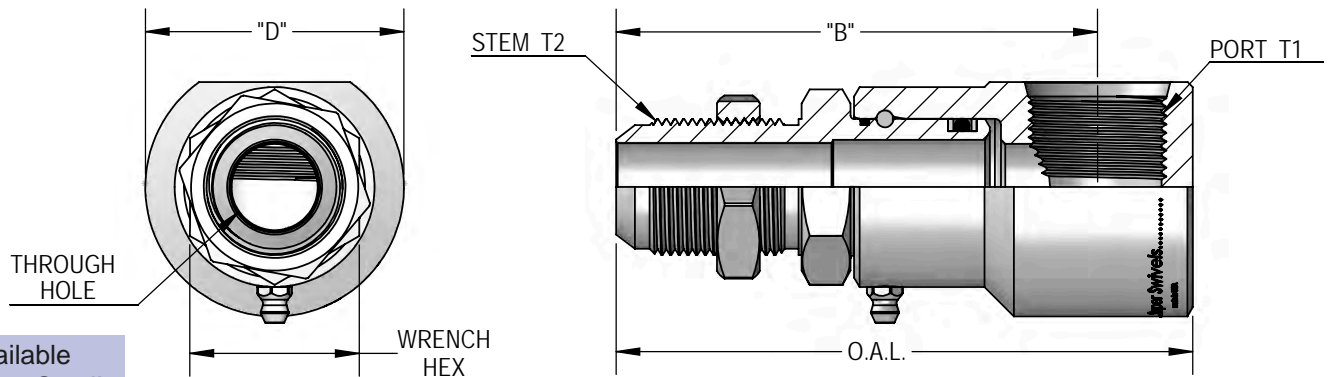
Male J.I.C. (37°) X Female O-Ring (O.R.B.)



Not Available
In Stainless Steel!

| PART NUMBER | O.A.L. | DIM. B | DIM. D Ø | WRENCH/HEX | PORT T1 | STEM T2 | SWG. RADIUS | MAX. P.S.I.G. | THROUGH HOLE |
|-----------------------|--------|--------|----------|------------|----------------|----------------|-------------|---------------|--------------|
| 9 SS 4 MJ 4 X FO 6 | 2.837 | 2.325 | 1.292 | 0.625 | 9/16-18 U.N. | 7/16-20 U.N. | 0.541 | 5000 | 0.172 |
| 9 SS 4 MJ 6 X FO 6 | 2.857 | 2.345 | 1.292 | 0.625 | 9/16-18 U.N. | 9/16-18 U.N. | 0.541 | 5000 | 0.250 |
| 9 SS 8 MJ 8 X FO 8 | 3.070 | 2.520 | 1.662 | 1.000 | 3/4-16 U.N. | 3/4-16 U.N. | 0.703 | 5000 | 0.391 |
| 9 SS 8 MJ 10 X FO 8 | 3.170 | 2.600 | 1.662 | 1.000 | 3/4-16 U.N. | 7/8-14 U.N. | 0.703 | 5000 | 0.484 |
| 9 SS 12 MJ 12 X FO 12 | 3.845 | 3.020 | 2.172 | 1.125 | 1 1/16-12 U.N. | 1 1/16-12 U.N. | 0.900 | 4500 | 0.609 |
| 9 SS 16 MJ 16 X FO 16 | 4.695 | 3.780 | 2.482 | 1.375 | 1 5/16-12 U.N. | 1 5/16-12 U.N. | 1.009 | 4000 | 0.827 |
| 9 SS 20 MJ 20 X FO 20 | 5.207 | 4.124 | 2.977 | 1.750 | 1 5/8-12 U.N. | 1 5/8-12 U.N. | 1.184 | 4000 | 1.078 |

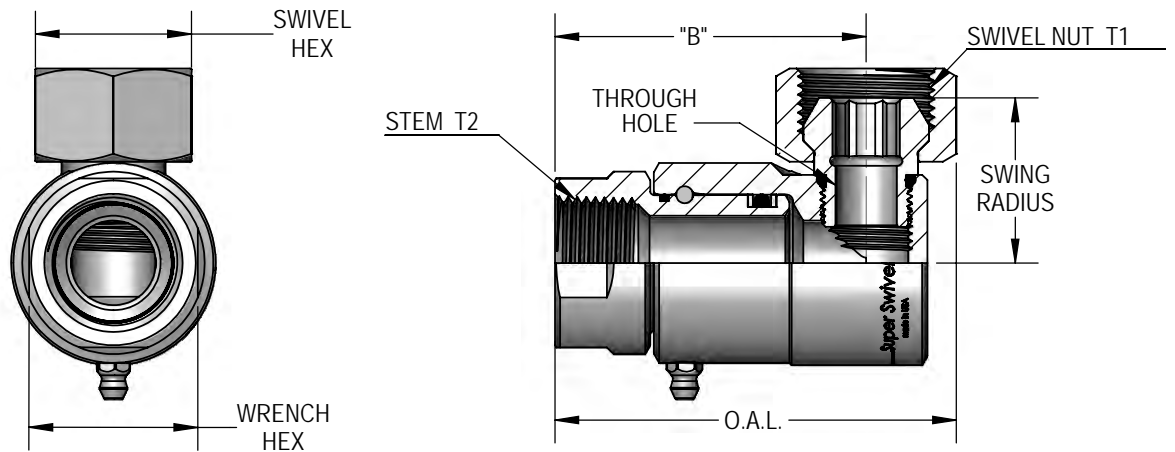
Male J.I.C. Bulkhead (37°) X Female O-Ring (O.R.B.)



Not Available
In Stainless Steel!

| PART NUMBER | O.A.L. | DIM. B | DIM. D Ø | WRENCH/HEX | PORT T1 | STEM T2 | SWG. RADIUS | MAX. P.S.I.G. | THROUGH HOLE |
|------------------------|--------|--------|----------|------------|----------------|----------------|-------------|---------------|--------------|
| 9 SS 4 MJB 6 X FO 6 | 3.500 | 2.990 | 1.290 | .812 | 9/16-18 U.N. | 9/16-18 U.N. | 0.580 | 5000 | 0.250 |
| 9 SS 8 MJB 8 X FO 8 | 3.800 | 3.240 | 1.662 | 1.000 | 3/4-16 U.N. | 3/4-16 U.N. | 0.703 | 5000 | 0.391 |
| 9 SS 8 MJB 10 X FO 8 | 4.030 | 3.480 | 1.662 | 1.125 | 3/4-16 U.N. | 7/8-14 U.N. | 0.703 | 5000 | 0.484 |
| 9 SS 12 MJB 12 X FO 12 | 4.765 | 3.940 | 2.172 | 1.375 | 1 1/16-12 U.N. | 1 1/16-12 U.N. | 0.900 | 4500 | 0.609 |
| 9 SS 16 MJB 16 X FO 16 | 5.530 | 4.615 | 2.482 | 1.625 | 1 5/16-12 U.N. | 1 5/16-12 U.N. | 1.009 | 4000 | 0.827 |
| 9 SS 20 MJB 20 X FO 20 | 6.102 | 5.019 | 2.977 | 1.875 | 1 5/8-12 U.N. | 1 5/8-12 U.N. | 1.184 | 4000 | 1.078 |

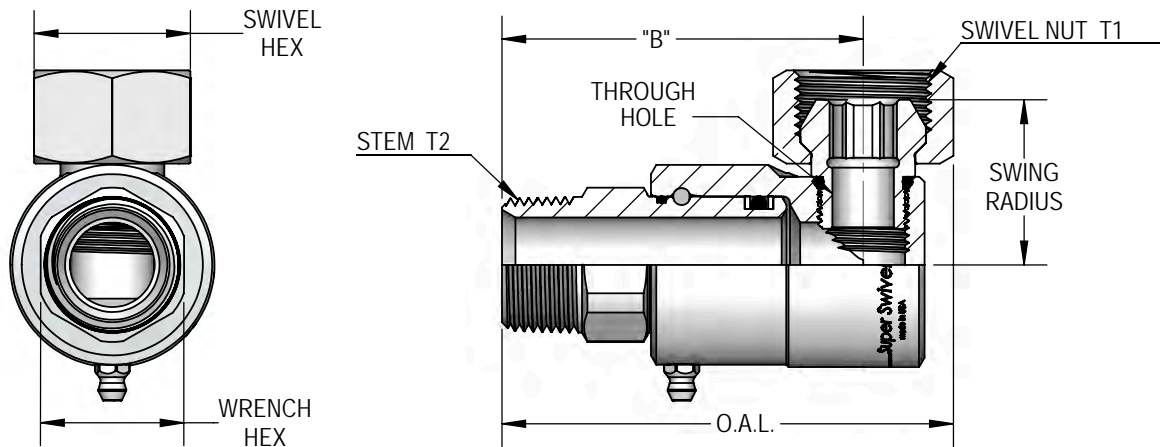
Female Pipe (N.P.T.F.) X Pipe Swivel (N.P.S.M.)



Not Available
In Stainless Steel!

| PART NUMBER | O.A.L. | DIM. B | SWIVEL HEX | WRENCH/HEX | SWIVEL NUT T1 | STEM T2 | SWG. RADIUS | MAX. P.S.I.G. | THROUGH HOLE |
|-------------------------|--------|--------|------------|------------|--|--|-------------|---------------|--------------|
| 9 SS 4 FP 25 X PS 25 | 2.510 | 2.000 | 0.687 | 0.750 | 1/4-18 N.P.S.M. | 1/4-18 N.P.T.F. | 1.326 | 3500 | 0.218 |
| 9 SS 4 FP 25 X PS 38 | 2.510 | 2.000 | 0.875 | 0.750 | 3/8-18 N.P.S.M. | 1/4-18 N.P.T.F. | 1.555 | 3500 | 0.250 |
| 9 SS 8 FP 38 X PS 38 | 2.670 | 2.120 | 0.875 | 0.875 | 3/8-18 N.P.S.M. | 3/8-18 N.P.T.F. | 1.437 | 3500 | 0.327 |
| 9 SS 8 FP 50 X PS 50 | 2.850 | 2.270 | 1.000 | 1.125 | 1/2-14 N.P.S.M. | 1/2-14 N.P.T.F. | 1.521 | 3500 | 0.390 |
| 9 SS 12 FP 75 X PS 75 | 3.080 | 2.360 | 1.250 | 1.375 | 3/4-14 N.P.S.M. | 3/4-14 N.P.T.F. | 1.664 | 3500 | 0.521 |
| 9 SS 16 FP 100 X PS 100 | 3.850 | 2.980 | 1.500 | 1.625 | 1-11 ¹ / ₂ N.P.S.M. | 1-11 ¹ / ₂ N.P.T.F. | 1.956 | 3500 | 0.590 |
| 9 SS 20 FP 125 X PS 125 | 4.365 | 3.285 | 1.875 | 2.000 | 1 ¹ / ₄ -11 ¹ / ₂ N.P.S.M. | 1 ¹ / ₄ -11 ¹ / ₂ N.P.T.F. | 2.570 | 3500 | 0.906 |
| 9 SS 24 FP 150 X PS 150 | 5.260 | 4.040 | 2.125 | 2.375 | 1 ¹ / ₂ -11 ¹ / ₂ N.P.S.M. | 1 ¹ / ₂ -11 ¹ / ₂ N.P.T.F. | 2.630 | 3500 | 1.040 |

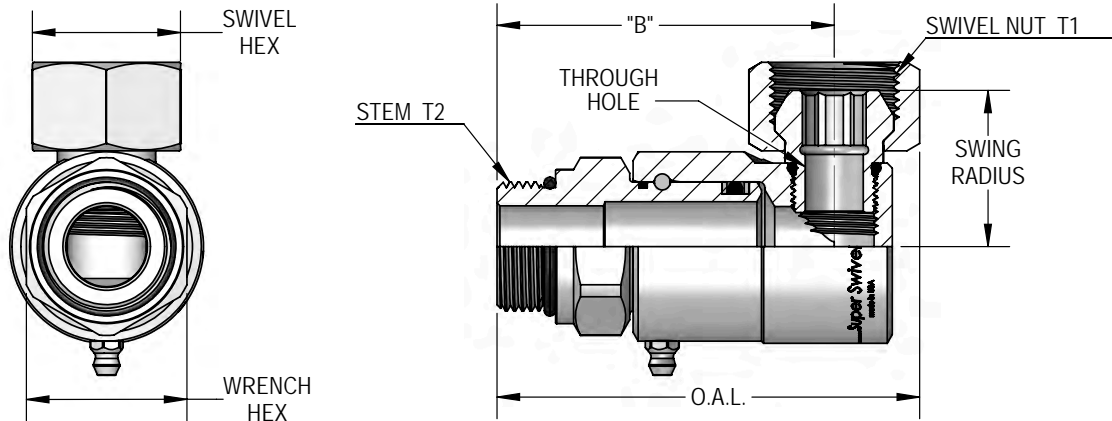
Male Pipe (N.P.T.F.) X Pipe Swivel (N.P.S.M.)



Not Available
In Stainless Steel!

| PART NUMBER | O.A.L. | DIM. B | SWIVEL HEX | WRENCH/HEX | SWIVEL NUT T1 | STEM T2 | SWG. RADIUS | MAX. P.S.I.G. | THROUGH HOLE |
|-------------------------|--------|--------|------------|------------|--|--|-------------|---------------|--------------|
| 9 SS 4 MP 25 X PS 25 | 2.640 | 2.120 | 0.687 | 0.625 | 1/4-18 N.P.S.M. | 1/4-18 N.P.T.F. | 1.326 | 3500 | 0.218 |
| 9 SS 4 MP 38 X PS 25 | 2.720 | 2.210 | 0.687 | 0.750 | 1/4-18 N.P.S.M. | 3/8-18 N.P.T. | 1.326 | 3500 | 0.218 |
| 9 SS 4 MP 25 X PS 38 | 2.640 | 2.120 | 0.875 | 0.625 | 3/8-18 N.P.S.M. | 1/4-18 N.P.T.F. | 1.555 | 3500 | 0.250 |
| 9 SS 4 MP 38 X PS 38 | 2.720 | 2.210 | 0.875 | 0.750 | 3/8-18 N.P.S.M. | 3/8-18 N.P.T. | 1.555 | 3500 | 0.250 |
| 9 SS 8 MP 38 X PS 38 | 3.095 | 2.548 | 0.875 | 1.000 | 3/8-18 N.P.S.M. | 3/8-18 N.P.T.F. | 1.437 | 3500 | 0.327 |
| 9 SS 8 MP 50 X PS 50 | 3.170 | 2.620 | 1.000 | 1.000 | 1/2-14 N.P.S.M. | 1/2-14 N.P.T.F. | 1.521 | 3500 | 0.390 |
| 9 SS 12 MP 75 X PS 75 | 3.481 | 2.760 | 1.250 | 1.125 | 3/4-14 N.P.S.M. | 3/4-14 N.P.T.F. | 1.664 | 3500 | 0.521 |
| 9 SS 16 MP 100 X PS 100 | 4.327 | 3.462 | 1.500 | 1.375 | 1-11 ¹ / ₂ N.P.S.M. | 1-11 ¹ / ₂ N.P.T.F. | 1.956 | 3500 | 0.590 |
| 9 SS 20 MP 125 X PS 125 | 4.877 | 3.795 | 1.875 | 1.750 | 1 ¹ / ₄ -11 ¹ / ₂ N.P.S.M. | 1 ¹ / ₄ -11 ¹ / ₂ N.P.T.F. | 2.570 | 3500 | 0.906 |
| 9 SS 24 MP 150 X PS 150 | 5.845 | 4.620 | 2.125 | 2.000 | 1 ¹ / ₂ -11 ¹ / ₂ N.P.S.M. | 1 ¹ / ₂ -11 ¹ / ₂ N.P.T.F. | 2.630 | 3500 | 1.040 |

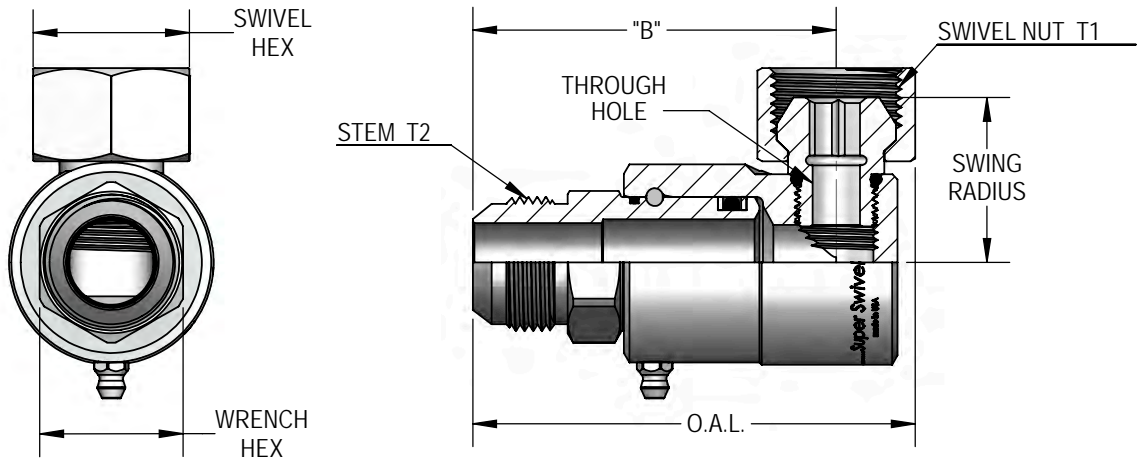
Male O-Ring (O.R.B.) X Pipe Swivel (N.P.S.M.)



Not Available
In Stainless Steel!

| PART NUMBER | O.A.L. | DIM. B | SWIVEL HEX | WRENCH/HEX | SWIVEL NUT T1 | STEM T2 | SWG. RADIUS | MAX. P.S.I.G. | THROUGH HOLE |
|------------------------|--------|--------|------------|------------|-----------------------|---------------|-------------|---------------|--------------|
| 9 SS 4 MO 4 X PS 25 | 2.727 | 2.215 | 0.687 | 0.687 | 1/4-18 N.P.S.M. | 7/16-20 U.N. | 1.326 | 3500 | 0.172 |
| 9 SS 4 MO 6 X PS 25 | 2.727 | 2.215 | 0.687 | 0.750 | 1/4-18 N.P.S.M. | 9/16-18 U.N. | 1.326 | 3500 | 0.218 |
| 9 SS 4 MO 6 X PS 38 | 2.727 | 2.215 | 0.875 | 0.750 | 3/8-18 N.P.S.M. | 9/16-18 U.N. | 1.555 | 3500 | 0.250 |
| 9 SS 8 MO 8 X PS 38 | 2.923 | 2.376 | 0.875 | 1.000 | 3/8-18 N.P.S.M. | 3/4-16 U.N. | 1.437 | 3500 | 0.327 |
| 9 SS 8 MO 8 X PS 50 | 2.953 | 2.376 | 1.000 | 1.000 | 1/2-14 N.P.S.M. | 3/4-16 U.N. | 1.521 | 3500 | 0.327 |
| 9 SS 8 MO 10 X PS 50 | 3.075 | 2.498 | 1.000 | 1.000 | 1/2-14 N.P.S.M. | 7/8-14 U.N. | 1.521 | 3500 | 0.390 |
| 9 SS 12 MO 12 X PS 75 | 3.470 | 2.749 | 1.250 | 1.375 | 3/4-14 N.P.S.M. | 11/16-12 U.N. | 1.664 | 3500 | 0.521 |
| 9 SS 16 MO 16 X PS 100 | 4.276 | 3.411 | 1.500 | 1.625 | 1-11 1/2 N.P.S.M. | 15/16-12 U.N. | 1.956 | 3500 | 0.590 |
| 9 SS 20 MO 20 X PS 125 | 4.837 | 3.755 | 1.875 | 1.875 | 1 1/4-11 1/2 N.P.S.M. | 15/8-12 U.N. | 2.570 | 3500 | 0.906 |
| 9 SS 24 MO 24 X PS 150 | 5.750 | 4.540 | 2.125 | 2.125 | 1 1/2-11 1/2 N.P.S.M. | 17/8-12 U.N. | 2.630 | 3500 | 1.040 |

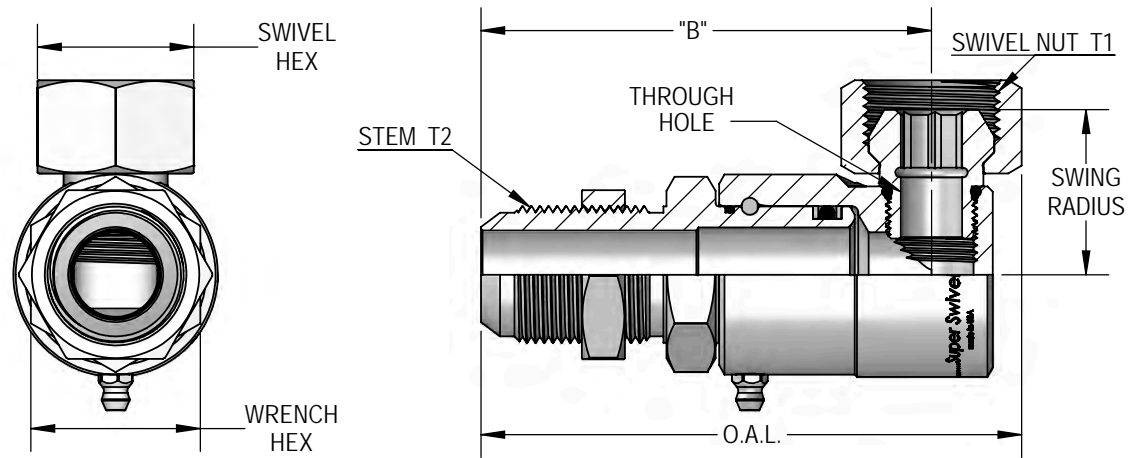
Male J.I.C. (37°) X Pipe Swivel (N.P.S.M.)



Not Available
In Stainless Steel!

| PART NUMBER | O.A.L. | DIM. B | SWIVEL HEX | WRENCH/HEX | SWIVEL NUT T1 | STEM T2 | SWG. RADIUS | MAX. P.S.I.G. | THROUGH HOLE |
|------------------------|--------|--------|------------|------------|-----------------------|---------------|-------------|---------------|--------------|
| 9 SS 4 MJ 4 X PS 25 | 2.867 | 2.355 | 0.687 | 0.625 | 1/4-18 N.P.S.M. | 7/16-20 U.N. | 1.326 | 3500 | 0.172 |
| 9 SS 4 MJ 6 X PS 25 | 2.887 | 2.375 | 0.687 | 0.625 | 1/4-18 N.P.S.M. | 9/16-18 U.N. | 1.326 | 3500 | 0.218 |
| 9 SS 4 MJ 6 X PS 38 | 2.887 | 2.375 | 0.875 | 0.625 | 3/8-18 N.P.S.M. | 9/16-18 U.N. | 1.555 | 3500 | 0.250 |
| 9 SS 8 MJ 8 X PS 38 | 3.070 | 2.523 | 0.875 | 1.000 | 3/8-18 N.P.S.M. | 3/4-16 U.N. | 1.437 | 3500 | 0.327 |
| 9 SS 8 MJ 8 X PS 50 | 3.100 | 2.523 | 1.000 | 1.000 | 1/2-14 N.P.S.M. | 3/4-16 U.N. | 1.521 | 3500 | 0.390 |
| 9 SS 8 MJ 10 X PS 50 | 3.200 | 2.623 | 1.000 | 1.000 | 1/2-14 N.P.S.M. | 7/8-14 U.N. | 1.521 | 3500 | 0.390 |
| 9 SS 12 MJ 12 X PS 75 | 3.606 | 2.885 | 1.250 | 1.125 | 3/4-14 N.P.S.M. | 11/16-12 U.N. | 1.664 | 3500 | 0.521 |
| 9 SS 16 MJ 16 X PS 100 | 4.348 | 3.482 | 1.500 | 1.375 | 1-11 1/2 N.P.S.M. | 15/16-12 U.N. | 1.956 | 3500 | 0.590 |
| 9 SS 20 MJ 20 X PS 125 | 4.917 | 3.835 | 1.875 | 1.750 | 1 1/4-11 1/2 N.P.S.M. | 15/8-12 U.N. | 2.570 | 3500 | 0.906 |
| 9 SS 24 MJ 24 X PS 150 | 5.930 | 4.710 | 2.125 | 2.000 | 1 1/2-11 1/2 N.P.S.M. | 17/8-12 U.N. | 2.630 | 3500 | 1.040 |

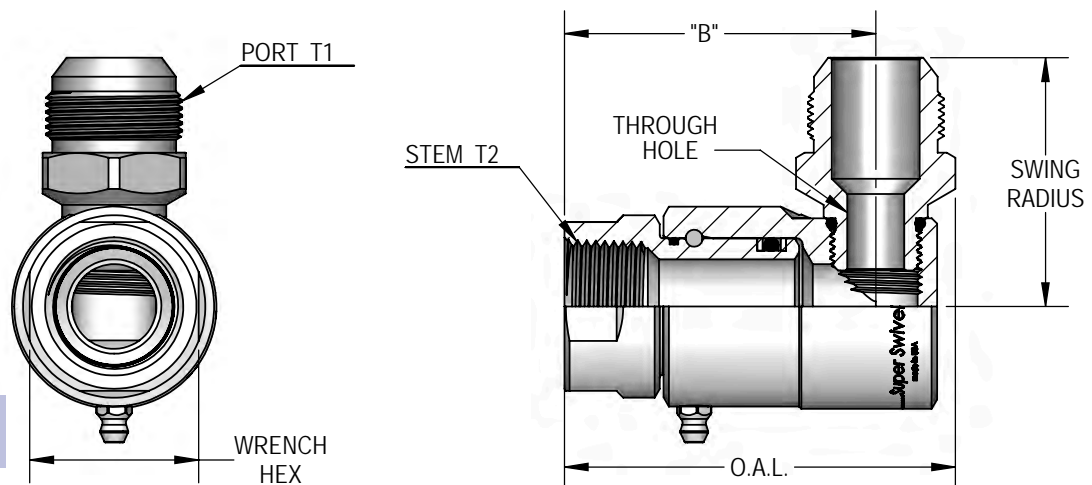
Male J.I.C. Bulkhead (37°) X Pipe Swivel (N.P.S.M.)



Not Available
In Stainless Steel!

| PART NUMBER | O.A.L. | DIM. B | SWIVEL HEX | WRENCH/HEX | SWIVEL NUT T1 | STEM T2 | SWG. RADIUS | MAX. P.S.I.G. | THROUGH HOLE |
|-------------------------|--------|--------|------------|------------|-----------------------|----------------|-------------|---------------|--------------|
| 9 SS 4 MJB 6 X PS 25 | 3.500 | 2.990 | 0.688 | 0.812 | 1/4-18 N.P.S.M. | 9/16-18 U.N. | 1.350 | 3500 | 0.250 |
| 9 SS 8 MJB 8 X PS 38 | 3.805 | 3.258 | 0.875 | 1.000 | 3/8-18 N.P.S.M. | 3/4-16 U.N. | 1.437 | 3500 | 0.327 |
| 9 SS 8 MJB 8 X PS 50 | 3.835 | 3.258 | 1.000 | 1.000 | 1/2-14 N.P.S.M. | 3/4-16 U.N. | 1.521 | 3500 | 0.327 |
| 9 SS 8 MJB 10 X PS 50 | 4.055 | 3.478 | 1.000 | 1.125 | 1/2-14 N.P.S.M. | 7/8-14 U.N. | 1.521 | 3500 | 0.390 |
| 9 SS 12 MJB 12 X PS 75 | 4.526 | 3.805 | 1.250 | 1.375 | 3/4-14 N.P.S.M. | 1 1/16-12 U.N. | 1.664 | 3500 | 0.521 |
| 9 SS 16 MJB 16 X PS 100 | 5.182 | 4.317 | 1.500 | 1.625 | 1-11 1/2 N.P.S.M. | 1 5/16-12 U.N. | 1.956 | 3500 | 0.590 |
| 9 SS 20 MJB 20 X PS 125 | 5.812 | 4.730 | 1.875 | 1.875 | 1 1/4-11 1/2 N.P.S.M. | 1 5/8-12 U.N. | 2.570 | 3500 | 0.906 |

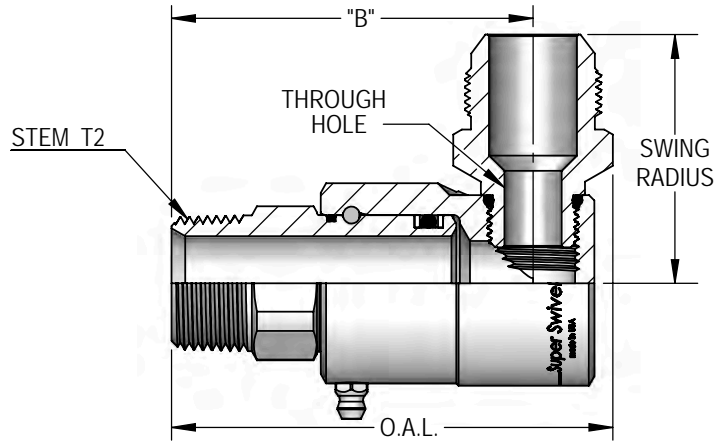
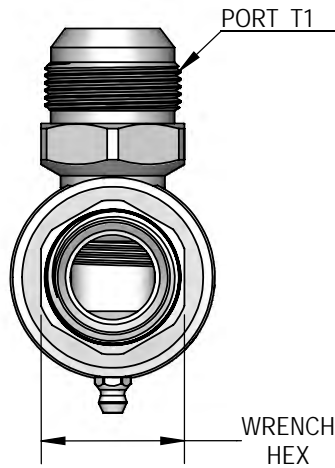
Female Pipe (N.P.T.F.) X Male J.I.C. (37°)



Not Available
In Stainless Steel!

| PART NUMBER | O.A.L. | DIM. B | WRENCH/HEX | PORT T1 | STEM T2 | SWG. RADIUS | MAX. P.S.I.G. | THROUGH HOLE |
|------------------------|--------|--------|------------|----------------|-----------------------|-------------|---------------|--------------|
| 9 SS 4 FP 25 X MJ 4 | 2.510 | 2.000 | 0.750 | 7/16-20 U.N. | 1/4-18 N.P.T.F. | 1.454 | 3500 | 0.170 |
| 9 SS 4 FP 25 X MJ 6 | 2.510 | 2.000 | 0.750 | 9/16-18 U.N. | 1/4-18 N.P.T.F. | 1.454 | 3500 | 0.250 |
| 9 SS 8 FP 38 X MJ 6 | 2.670 | 2.120 | 0.875 | 9/16-18 U.N. | 3/8-18 N.P.T.F. | 1.581 | 3500 | 0.290 |
| 9 SS 8 FP 38 X MJ 8 | 2.670 | 2.120 | 0.875 | 3/4-16 U.N. | 3/8-18 N.P.T.F. | 1.712 | 3500 | 0.297 |
| 9 SS 8 FP 50 X MJ 8 | 2.850 | 2.270 | 1.125 | 3/4-16 U.N. | 1/2-14 N.P.T.F. | 1.712 | 3500 | 0.297 |
| 9 SS 8 FP 50 X MJ 10 | 2.880 | 2.270 | 1.125 | 7/8-14 U.N. | 1/2-14 N.P.T.F. | 1.978 | 3500 | 0.297 |
| 9 SS 12 FP 75 X MJ 12 | 3.000 | 2.360 | 1.375 | 1 1/16-12 U.N. | 3/4-14 N.P.T.F. | 2.288 | 3500 | 0.385 |
| 9 SS 16 FP 100 X MJ 16 | 3.730 | 2.980 | 1.625 | 1 5/16-12 U.N. | 1-11 1/2 N.P.T.F. | 2.384 | 3500 | 0.550 |
| 9 SS 20 FP 125 X MJ 20 | 4.300 | 3.285 | 2.000 | 1 5/8-12 U.N. | 1 1/4-11 1/2 N.P.T.F. | 2.970 | 3500 | 0.827 |
| 9 SS 24 FP 150 X MJ 24 | 5.160 | 4.040 | 2.375 | 1 7/8-12 U.N. | 1 1/2-11 1/2 N.P.T.F. | 3.097 | 3500 | 0.944 |

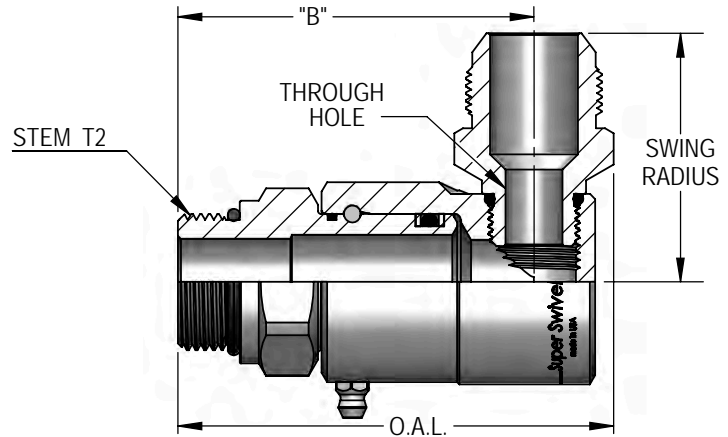
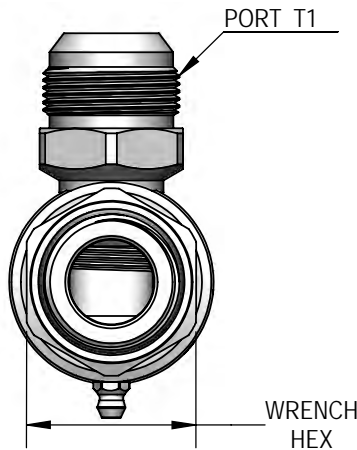
Male Pipe (N.P.T.F.) X Male J.I.C. (37°)



Not Available
In Stainless Steel!

| PART NUMBER | O.A.L. | DIM. B | WRENCH/HEX | PORT T1 | STEM T2 | SWG. RADIUS | MAX. P.S.I.G. | THROUGH HOLE |
|------------------------|--------|--------|------------|----------------|-----------------------|-------------|---------------|--------------|
| 9 SS 4 MP 25 X MJ 4 | 2.640 | 2.130 | 0.625 | 7/16-20 U.N. | 1/4-18 N.P.T.F. | 1.454 | 3500 | 0.170 |
| 9 SS 4 MP 25 X MJ 6 | 2.640 | 2.130 | 0.625 | 9/16-18 U.N. | 1/4-18 N.P.T.F. | 1.454 | 3500 | 0.250 |
| 9 SS 4 MP 38 X MJ 6 | 2.720 | 2.210 | 0.750 | 9/16-18 U.N. | 3/8-18 N.P.T.F. | 1.454 | 3500 | 0.250 |
| 9 SS 8 MP 38 X MJ 8 | 3.095 | 2.548 | 1.000 | 3/4-16 U.N. | 3/8-18 N.P.T.F. | 1.712 | 3500 | 0.297 |
| 9 SS 8 MP 50 X MJ 8 | 3.170 | 2.620 | 1.000 | 3/4-16 U.N. | 1/2-14 N.P.T.F. | 1.712 | 3500 | 0.297 |
| 9 SS 8 MP 50 X MJ 10 | 3.220 | 2.673 | 1.000 | 7/8-14 U.N. | 1/2-14 N.P.T.F. | 1.978 | 3500 | 0.297 |
| 9 SS 12 MP 75 X MJ 12 | 3.409 | 2.760 | 1.125 | 1 1/16-12 U.N. | 3/4-14 N.P.T.F. | 2.235 | 3500 | 0.385 |
| 9 SS 16 MP 100 X MJ 16 | 4.255 | 3.462 | 1.375 | 1 5/16-12 U.N. | 1-11 1/2 N.P.T.F. | 2.384 | 3500 | 0.550 |
| 9 SS 20 MP 125 X MJ 20 | 4.805 | 3.795 | 1.750 | 1 5/8-12 U.N. | 1 1/4-11 1/2 N.P.T.F. | 2.970 | 3500 | 0.827 |
| 9 SS 24 MP 150 X MJ 24 | 5.740 | 4.620 | 2.000 | 1 7/8-12 U.N. | 1 1/2-11 1/2 N.P.T.F. | 3.097 | 3500 | 0.944 |

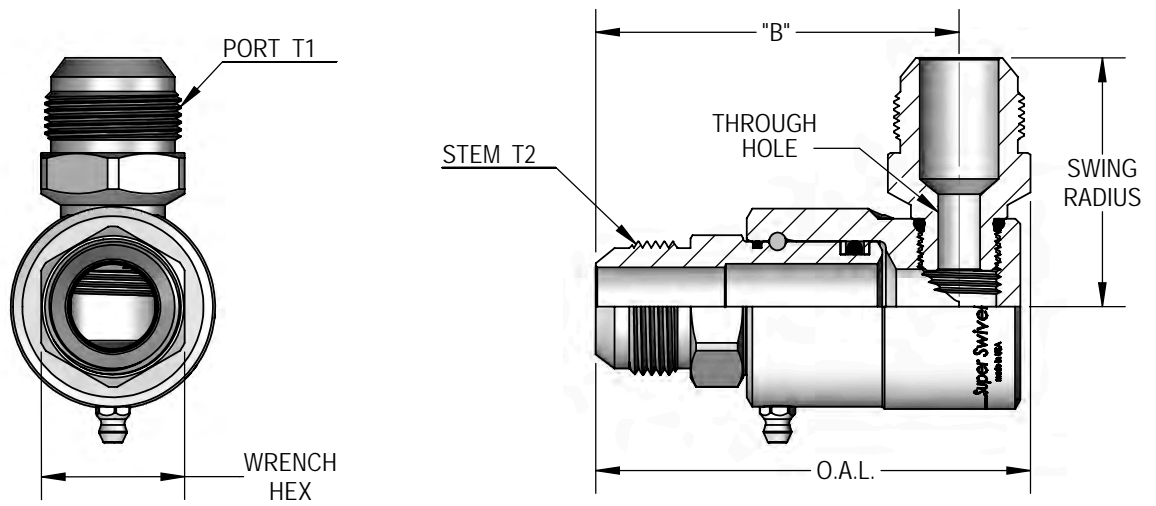
Male O-Ring (O.R.B.) X Male J.I.C. (37°)



Not Available
In Stainless Steel!

| PART NUMBER | O.A.L. | DIM. B | WRENCH/HEX | PORT T1 | STEM T2 | SWG. RADIUS | MAX. P.S.I.G. | THROUGH HOLE |
|-----------------------|--------|--------|------------|----------------|----------------|-------------|---------------|--------------|
| 9 SS 4 MO 4 X MJ 4 | 2.727 | 2.215 | 0.625 | 7/16-20 U.N. | 7/16-20 U.N. | 1.454 | 3500 | 0.172 |
| 9 SS 4 MO 6 X MJ 6 | 2.727 | 2.215 | 0.750 | 9/16-18 U.N. | 9/16-18 U.N. | 1.454 | 3500 | 0.250 |
| 9 SS 8 MO 8 X MJ 8 | 2.923 | 2.376 | 1.000 | 3/4-16 U.N. | 3/4-16 U.N. | 1.712 | 3500 | 0.297 |
| 9 SS 8 MO 10 X MJ 10 | 3.075 | 2.498 | 1.000 | 7/8-14 U.N. | 7/8-14 U.N. | 1.978 | 3500 | 0.297 |
| 9 SS 12 MO 12 X MJ 12 | 3.398 | 2.749 | 1.375 | 1 1/16-12 U.N. | 1 1/16-12 U.N. | 2.288 | 3500 | 0.385 |
| 9 SS 16 MO 16 X MJ 16 | 4.204 | 3.411 | 1.625 | 1 5/16-12 U.N. | 1 5/16-12 U.N. | 2.384 | 3500 | 0.550 |
| 9 SS 20 MO 20 X MJ 20 | 4.765 | 3.755 | 1.875 | 1 5/8-12 U.N. | 1 5/8-12 U.N. | 2.970 | 3500 | 0.827 |
| 9 SS 24 MO 24 X MJ 24 | 5.670 | 4.540 | 2.125 | 1 7/8-12 U.N. | 1 7/8-12 U.N. | 3.097 | 3500 | 0.944 |

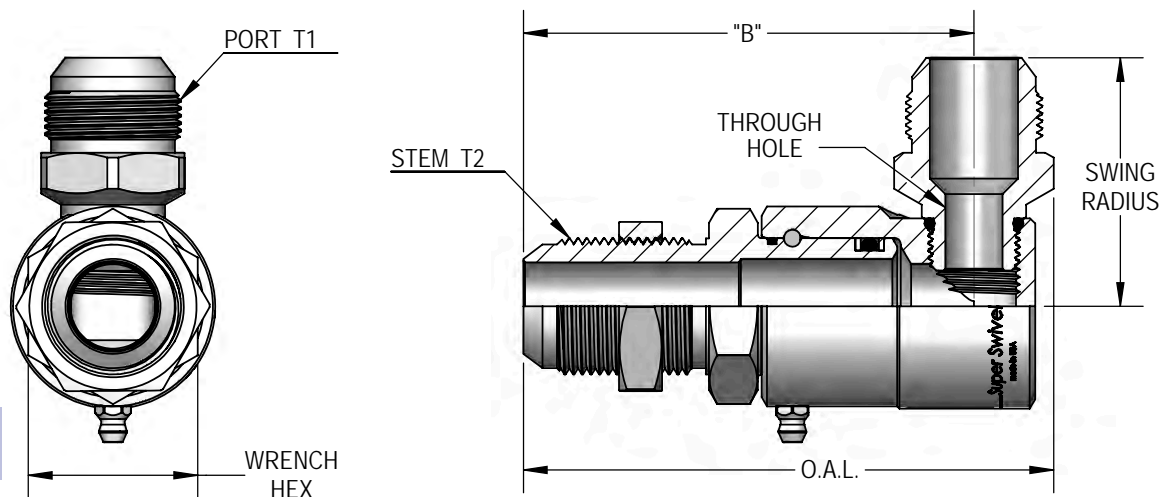
Male J.I.C. (37°) X Male J.I.C. (37°)



Not Available
In Stainless Steel!

| PART NUMBER | O.A.L. | DIM. B | WRENCH/HEX | PORT T1 | STEM T2 | SWG. RADIUS | MAX. P.S.I.G. | THROUGH HOLE |
|-----------------------|--------|--------|------------|----------------|----------------|-------------|---------------|--------------|
| 9 SS 4 MJ 4 X MJ 4 | 2.837 | 2.325 | 0.625 | 7/16-20 U.N. | 7/16-20 U.N. | 1.454 | 3500 | 0.172 |
| 9 SS 4 MJ 6 X MJ 6 | 2.857 | 2.345 | 0.625 | 9/16-18 U.N. | 9/16-18 U.N. | 1.454 | 3500 | 0.250 |
| 9 SS 8 MJ 8 X MJ 8 | 3.070 | 2.523 | 1.000 | 3/4-16 U.N. | 3/4-16 U.N. | 1.712 | 3500 | 0.297 |
| 9 SS 8 MJ 10 X MJ 10 | 3.200 | 2.623 | 1.000 | 7/8-14 U.N. | 7/8-14 U.N. | 1.978 | 3500 | 0.297 |
| 9 SS 12 MJ 12 X MJ 12 | 3.534 | 2.885 | 1.125 | 1 1/16-12 U.N. | 1 1/16-12 U.N. | 2.288 | 3500 | 0.385 |
| 9 SS 16 MJ 16 X MJ 16 | 4.275 | 3.482 | 1.375 | 1 5/8-12 U.N. | 1 5/8-12 U.N. | 2.384 | 3500 | 0.550 |
| 9 SS 20 MJ 20 X MJ 20 | 4.845 | 3.835 | 1.750 | 1 5/8-12 U.N. | 1 5/8-12 U.N. | 2.970 | 3500 | 0.827 |
| 9 SS 24 MJ 24 X MJ 24 | 5.840 | 4.710 | 2.000 | 1 7/8-12 U.N. | 1 7/8-12 U.N. | 3.097 | 3500 | 0.944 |

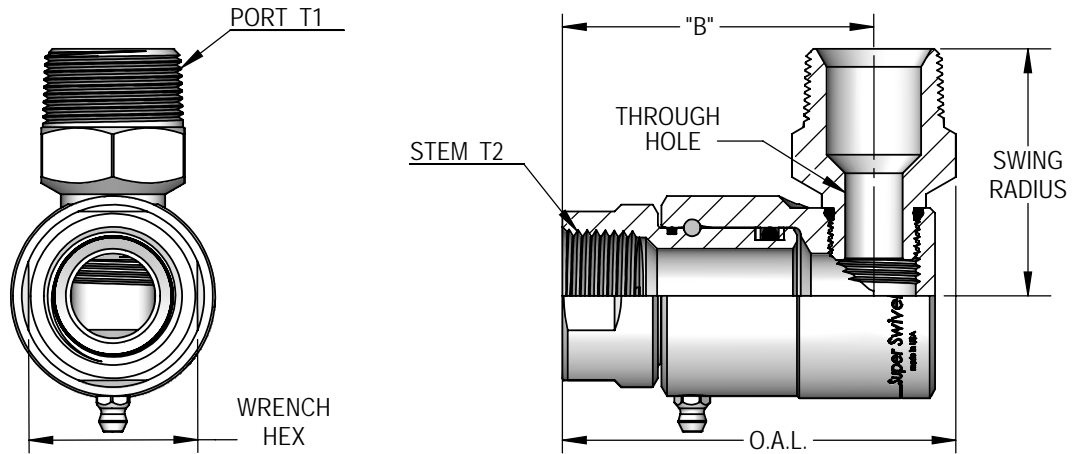
Male J.I.C. Bulkhead (37°) X Male J.I.C. (37°)



Not Available
In Stainless Steel!

| PART NUMBER | O.A.L. | DIM. B | WRENCH/HEX | PORT T1 | STEM T2 | SWG. RADIUS | MAX. P.S.I.G. | THROUGH HOLE |
|------------------------|--------|--------|------------|----------------|----------------|-------------|---------------|--------------|
| 9 SS 4 MJB 6 X MJ 6 | 3.500 | 2.987 | 0.812 | 9/16-18 U.N. | 9/16-18 U.N. | 1.478 | 3500 | 0.250 |
| 9 SS 8 MJB 8 X MJ 8 | 3.805 | 3.258 | 1.000 | 3/4-16 U.N. | 3/4-16 U.N. | 1.712 | 3500 | 0.297 |
| 9 SS 8 MJB 10 X MJ 10 | 4.055 | 3.478 | 1.125 | 7/8-14 U.N. | 7/8-14 U.N. | 1.978 | 3500 | 0.297 |
| 9 SS 12 MJB 12 X MJ 12 | 4.454 | 3.805 | 1.375 | 1 1/16-12 U.N. | 1 1/16-12 U.N. | 2.288 | 3500 | 0.385 |
| 9 SS 16 MJB 16 X MJ 16 | 5.110 | 4.317 | 1.625 | 1 5/8-12 U.N. | 1 5/8-12 U.N. | 2.384 | 3500 | 0.550 |
| 9 SS 20 MJB 20 X MJ 20 | 5.740 | 4.730 | 1.875 | 1 5/8-12 U.N. | 1 5/8-12 U.N. | 2.970 | 3500 | 0.827 |

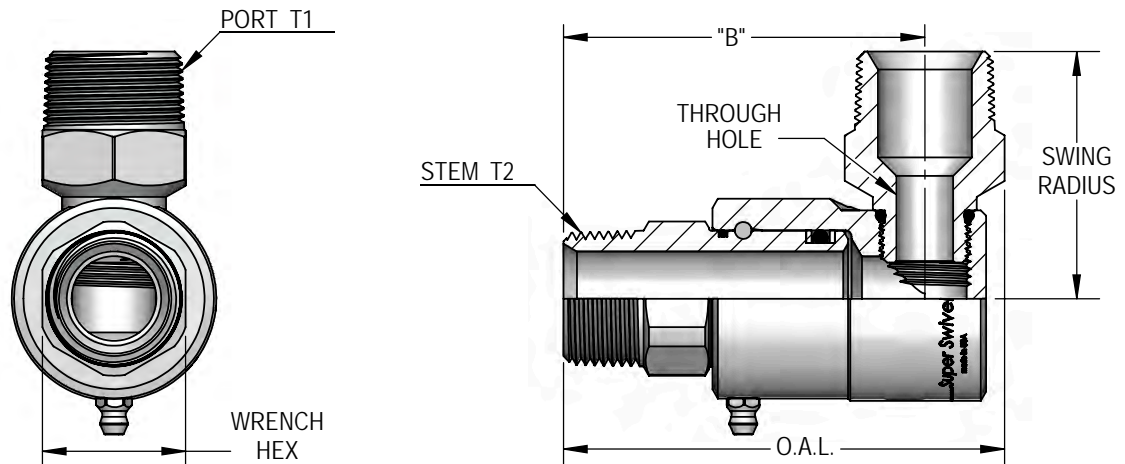
Female Pipe (N.P.T.F.) X Male Pipe (N.P.T.F.)



Not Available
In Stainless Steel!

| PART NUMBER | O.A.L. | DIM. B | WRENCH/HEX | PORT T1 | STEM T2 | SWG. RADIUS | MAX. P.S.I.G. | THROUGH HOLE |
|-------------------------|--------|--------|------------|--|--|-------------|---------------|--------------|
| 9 SS 4 FP 25 X MP 25 | 2.510 | 2.000 | 0.750 | 1/4-18 N.P.T.F. | 1/4-18 N.P.T.F. | 1.440 | 3500 | 0.250 |
| 9 SS 8 FP 38 X MP 38 | 2.670 | 2.120 | 0.875 | 3/8-18 N.P.T.F. | 3/8-18 N.P.T.F. | 1.440 | 3500 | 0.297 |
| 9 SS 8 FP 38 X MP 50 | 2.670 | 2.120 | 0.875 | 1/2-14 N.P.T.F. | 3/8-18 N.P.T.F. | 1.440 | 3500 | 0.297 |
| 9 SS 8 FP 50 X MP 38 | 2.850 | 2.270 | 1.125 | 3/8-18 N.P.T.F. | 1/2-14 N.P.T.F. | 1.556 | 3500 | 0.297 |
| 9 SS 8 FP 50 X MP 50 | 2.850 | 2.270 | 1.125 | 1/2-14 N.P.T.F. | 1/2-14 N.P.T.F. | 1.848 | 3500 | 0.297 |
| 9 SS 12 FP 75 X MP 75 | 3.000 | 2.360 | 1.375 | 3/4-14 N.P.T.F. | 3/4-14 N.P.T.F. | 1.998 | 3500 | 0.484 |
| 9 SS 16 FP 100 X MP 100 | 3.780 | 3.020 | 1.625 | 1-11 ¹ / ₂ N.P.T.F. | 1-11 ¹ / ₂ N.P.T.F. | 2.370 | 3500 | 0.550 |
| 9 SS 20 FP 125 X MP 125 | 4.300 | 3.285 | 2.000 | 1 ¹ / ₄ -11 ¹ / ₂ N.P.T.F. | 1 ¹ / ₄ -11 ¹ / ₂ N.P.T.F. | 2.987 | 3500 | 0.827 |
| 9 SS 24 FP 150 X MP 150 | 5.190 | 4.040 | 2.375 | 1 ¹ / ₂ -11 ¹ / ₂ N.P.T.F. | 1 ¹ / ₂ -11 ¹ / ₂ N.P.T.F. | 3.050 | 3500 | 0.944 |

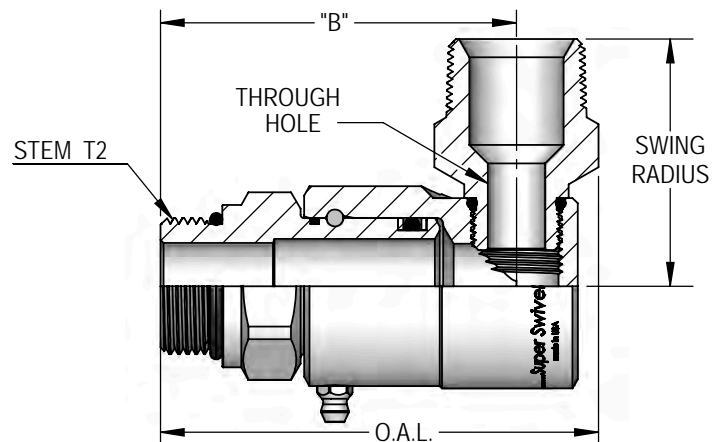
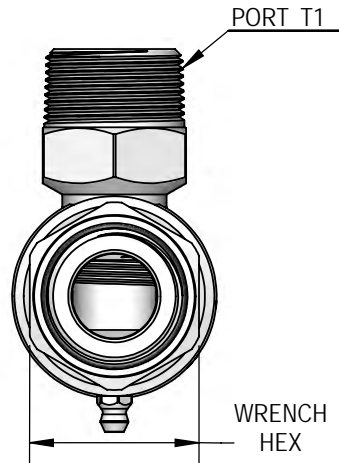
Male Pipe (N.P.T.F.) X Male Pipe (N.P.T.F.)



Not Available
In Stainless Steel!

| PART NUMBER | O.A.L. | DIM. B | WRENCH/HEX | PORT T1 | STEM T2 | SWG. RADIUS | MAX. P.S.I.G. | THROUGH HOLE |
|-------------------------|--------|--------|------------|--|--|-------------|---------------|--------------|
| 9 SS 4 MP 25 X MP 25 | 2.640 | 2.130 | 0.625 | 1/4-18 N.P.T.F. | 1/4-18 N.P.T.F. | 1.440 | 3500 | 0.250 |
| 9 SS 4 MP 25 X MP 38 | 2.640 | 2.130 | 0.625 | 3/8-18 N.P.T.F. | 1/4-18 N.P.T.F. | 1.440 | 3500 | 0.297 |
| 9 SS 4 MP 38 X MP 38 | 2.720 | 2.200 | 0.750 | 3/8-18 N.P.T.F. | 3/8-18 N.P.T.F. | 1.440 | 3500 | 0.297 |
| 9 SS 8 MP 38 X MP 38 | 3.095 | 2.548 | 1.000 | 3/8-18 N.P.T.F. | 3/8-18 N.P.T.F. | 1.556 | 3500 | 0.297 |
| 9 SS 8 MP 38 X MP 50 | 3.095 | 2.548 | 1.000 | 1/2-14 N.P.T.F. | 3/8-18 N.P.T.F. | 1.848 | 3500 | 0.297 |
| 9 SS 8 MP 50 X MP 38 | 3.190 | 2.620 | 1.000 | 3/8-18 N.P.T.F. | 1/2-14 N.P.T.F. | 1.556 | 3500 | 0.297 |
| 9 SS 8 MP 50 X MP 50 | 3.190 | 2.620 | 1.000 | 1/2-14 N.P.T.F. | 1/2-14 N.P.T.F. | 1.848 | 3500 | 0.297 |
| 9 SS 12 MP 75 X MP 75 | 3.400 | 2.760 | 1.125 | 3/4-14 N.P.T.F. | 3/4-14 N.P.T.F. | 1.998 | 3500 | 0.484 |
| 9 SS 16 MP 100 X MP 100 | 4.225 | 3.462 | 1.375 | 1-11 ¹ / ₂ N.P.T.F. | 1-11 ¹ / ₂ N.P.T.F. | 2.370 | 3500 | 0.550 |
| 9 SS 20 MP 125 X MP 125 | 4.810 | 3.795 | 1.750 | 1 ¹ / ₄ -11 ¹ / ₂ N.P.T.F. | 1 ¹ / ₄ -11 ¹ / ₂ N.P.T.F. | 2.987 | 3500 | 0.827 |
| 9 SS 24 MP 150 X MP 150 | 5.775 | 4.620 | 2.000 | 1 ¹ / ₂ -11 ¹ / ₂ N.P.T.F. | 1 ¹ / ₂ -11 ¹ / ₂ N.P.T.F. | 3.050 | 3500 | 0.944 |

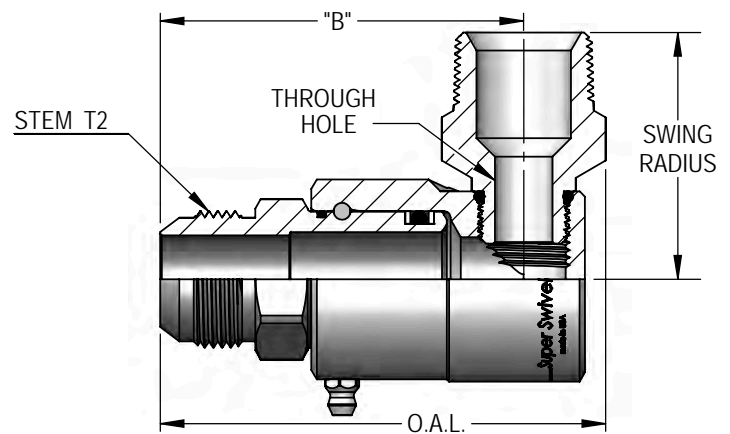
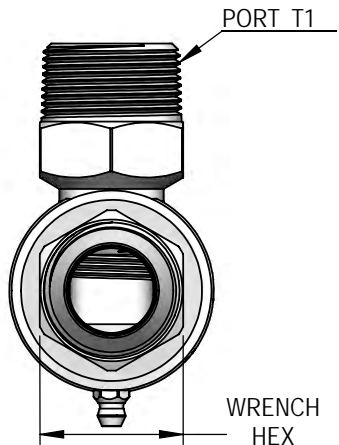
Male O-Ring (O.R.B.) X Male Pipe (N.P.T.F.)



Not Available
In Stainless Steel!

| PART NUMBER | O.A.L. | DIM. B | WRENCH/HEX | PORT T1 | STEM T2 | SWG. RADIUS | MAX. P.S.I.G. | THROUGH HOLE |
|------------------------|--------|--------|------------|-----------------------|----------------|-------------|---------------|--------------|
| 9 SS 4 MO 4 X MP 25 | 2.727 | 2.215 | 0.625 | 1/4-18 N.P.T.F. | 7/16-20 U.N. | 1.440 | 3500 | 0.172 |
| 9 SS 4 MO 6 X MP 25 | 2.727 | 2.215 | 0.750 | 1/4-18 N.P.T.F. | 9/16-18 U.N. | 1.440 | 3500 | 0.250 |
| 9 SS 4 MO 6 X MP 38 | 2.727 | 2.215 | 0.750 | 3/8-18 N.P.T.F. | 9/16-18 U.N. | 1.440 | 3500 | 0.297 |
| 9 SS 8 MO 8 X MP 38 | 2.923 | 2.376 | 1.000 | 3/8-18 N.P.T.F. | 3/4-16 U.N. | 1.556 | 3500 | 0.297 |
| 9 SS 8 MO 8 X MP 50 | 2.923 | 2.376 | 1.000 | 1/2-14 N.P.T.F. | 3/4-16 U.N. | 1.848 | 3500 | 0.297 |
| 9 SS 8 MO 10 X MP 38 | 3.045 | 2.498 | 1.000 | 3/8-18 N.P.T.F. | 7/8-14 U.N. | 1.556 | 3500 | 0.297 |
| 9 SS 8 MO 10 X MP 50 | 3.045 | 2.498 | 1.000 | 1/2-14 N.P.T.F. | 7/8-14 U.N. | 1.848 | 3500 | 0.297 |
| 9 SS 12 MO 12 X MP 75 | 3.389 | 2.749 | 1.375 | 3/4-14 N.P.T.F. | 1 1/16-12 U.N. | 1.998 | 3500 | 0.484 |
| 9 SS 16 MO 16 X MP 100 | 4.210 | 3.411 | 1.625 | 1-11 1/2 N.P.T.F. | 1 5/16-12 U.N. | 2.370 | 3500 | 0.550 |
| 9 SS 20 MO 20 X MP 125 | 4.477 | 3.755 | 1.875 | 1 1/4-11 1/2 N.P.T.F. | 1 5/8-12 U.N. | 2.987 | 3500 | 0.827 |
| 9 SS 24 MO 24 X MP 150 | 5.690 | 4.540 | 2.125 | 1 1/2-11 1/2 N.P.T.F. | 1 7/8-12 U.N. | 3.050 | 3500 | 0.944 |

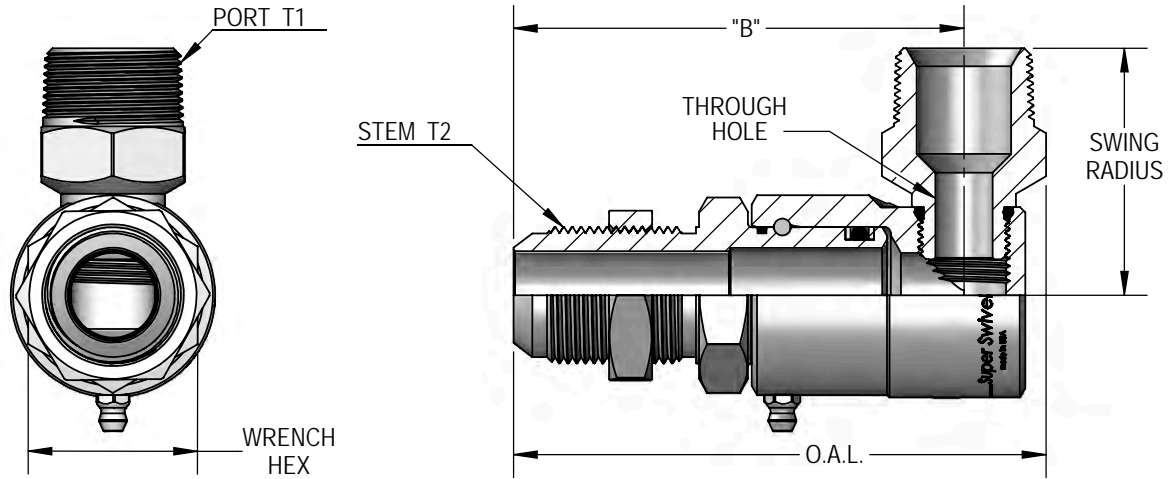
Male J.I.C. (37°) X Male Pipe (N.P.T.F.)



Not Available
In Stainless Steel!

| PART NUMBER | O.A.L. | DIM. B | WRENCH/HEX | PORT T1 | STEM T2 | SWG. RADIUS | MAX. P.S.I.G. | THROUGH HOLE |
|------------------------|--------|--------|------------|-----------------------|----------------|-------------|---------------|--------------|
| 9 SS 4 MJ 4 X MP 25 | 2.837 | 2.325 | 0.625 | 1/4-18 N.P.T.F. | 7/16-20 U.N. | 1.440 | 3500 | 0.172 |
| 9 SS 4 MJ 6 X MP 25 | 2.857 | 2.345 | 0.625 | 1/4-18 N.P.T.F. | 9/16-18 U.N. | 1.440 | 3500 | 0.250 |
| 9 SS 4 MJ 6 X MP 38 | 2.857 | 2.345 | 0.625 | 3/8-18 N.P.T.F. | 9/16-18 U.N. | 1.440 | 3500 | 0.250 |
| 9 SS 8 MJ 8 X MP 38 | 3.060 | 2.513 | 1.000 | 3/8-18 N.P.T.F. | 3/4-16 U.N. | 1.556 | 3500 | 0.297 |
| 9 SS 8 MJ 8 X MP 50 | 3.060 | 2.513 | 1.000 | 1/2-14 N.P.T.F. | 3/4-16 U.N. | 1.848 | 3500 | 0.297 |
| 9 SS 8 MJ 10 X MP 38 | 3.160 | 2.613 | 1.000 | 3/8-18 N.P.T.F. | 7/8-14 U.N. | 1.556 | 3500 | 0.250 |
| 9 SS 8 MJ 10 X MP 50 | 3.160 | 2.613 | 1.000 | 1/2-14 N.P.T.F. | 7/8-14 U.N. | 1.848 | 3500 | 0.297 |
| 9 SS 12 MJ 12 X MP 75 | 3.525 | 2.885 | 1.125 | 3/4-14 N.P.T.F. | 1 1/16-12 U.N. | 1.998 | 3500 | 0.484 |
| 9 SS 16 MJ 16 X MP 100 | 4.290 | 3.482 | 1.375 | 1-11 1/2 N.P.T.F. | 1 5/16-12 U.N. | 2.370 | 3500 | 0.550 |
| 9 SS 20 MJ 20 X MP 125 | 4.850 | 3.835 | 1.750 | 1 1/4-11 1/2 N.P.T.F. | 1 5/8-12 U.N. | 2.987 | 3500 | 0.827 |
| 9 SS 24 MJ 24 X MP 150 | 5.862 | 4.710 | 2.000 | 1 1/2-11 1/2 N.P.T.F. | 1 7/8-12 U.N. | 3.050 | 3500 | 0.944 |

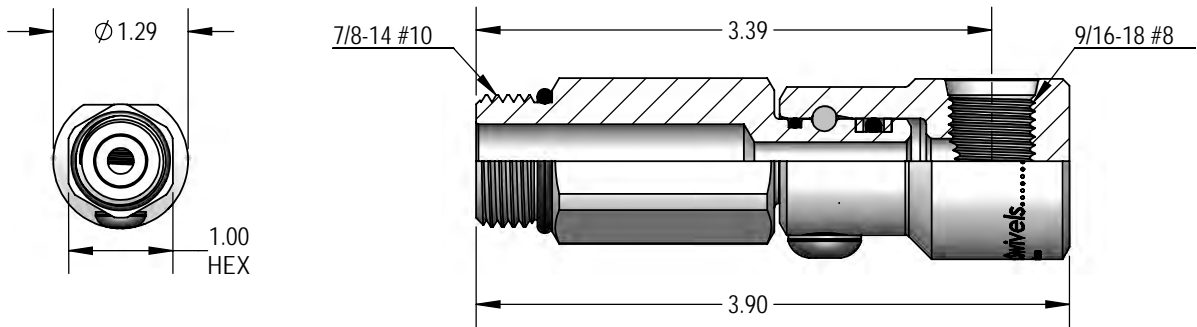
Male J.I.C. Bulkhead (37°) X Male Pipe (N.P.T.F.)



Not Available
In Stainless Steel!

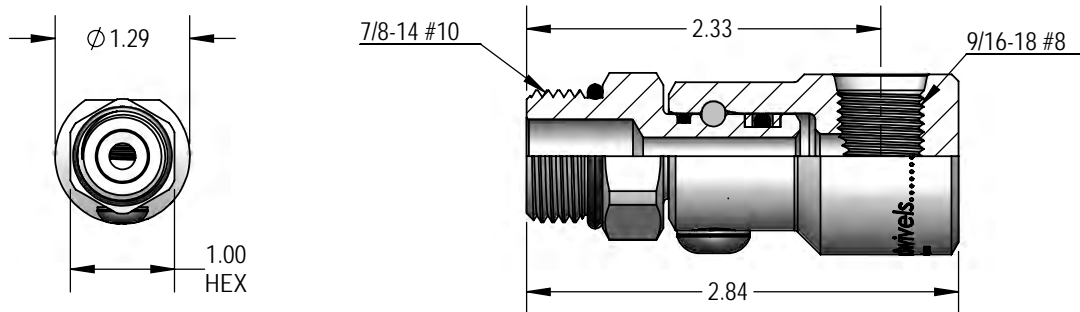
| PART NUMBER | O.A.L. | DIM. B | WRENCH/HEX | PORT T1 | STEM T2 | SWG. RADIUS | MAX. P.S.I.G. | THROUGH HOLE |
|-------------------------|--------|--------|------------|-----------------------|----------------|-------------|---------------|--------------|
| 9 SS 4 MJB 6 X MP 25 | 2.837 | 2.370 | 0.812 | 1/4-18 N.P.T.F. | 9/16-18 U.N. | 1.454 | 3500 | 0.250 |
| 9 SS 8 MJB 8 X MP 38 | 3.805 | 3.258 | 1.000 | 3/8-18 N.P.T.F. | 3/4-16 U.N. | 1.556 | 3500 | 0.297 |
| 9 SS 8 MJB 8 X MP 50 | 3.805 | 3.258 | 1.000 | 1/2-14 N.P.T.F. | 3/4-16 U.N. | 1.848 | 3500 | 0.297 |
| 9 SS 8 MJB 10 X MP 50 | 4.025 | 3.478 | 1.125 | 1/2-14 N.P.T.F. | 7/8-14 U.N. | 1.848 | 3500 | 0.297 |
| 9 SS 12 MJB 12 X MP 75 | 4.445 | 3.805 | 1.375 | 3/4-14 N.P.T.F. | 1 1/16-12 U.N. | 1.998 | 3500 | 0.484 |
| 9 SS 16 MJB 16 X MP 100 | 4.905 | 4.317 | 1.625 | 1-11 1/2 N.P.T.F. | 1 5/16-12 U.N. | 2.370 | 3500 | 0.550 |
| 9 SS 20 MJB 20 X MP 125 | 5.575 | 4.730 | 1.875 | 1 1/4-11 1/2 N.P.T.F. | 1 5/8-12 U.N. | 2.987 | 3500 | 0.827 |

Wheel Motor Swivels



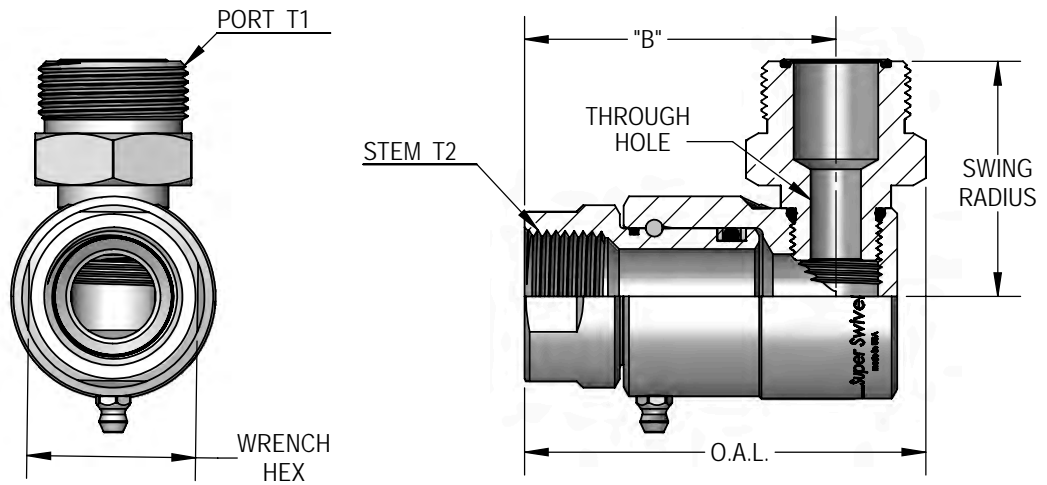
9 SS 4 MO 10 X FO 6 - 001 - Z - V

Not Available
In Stainless Steel!



9 SS 4 MO 10 X FO 6 - Z - V

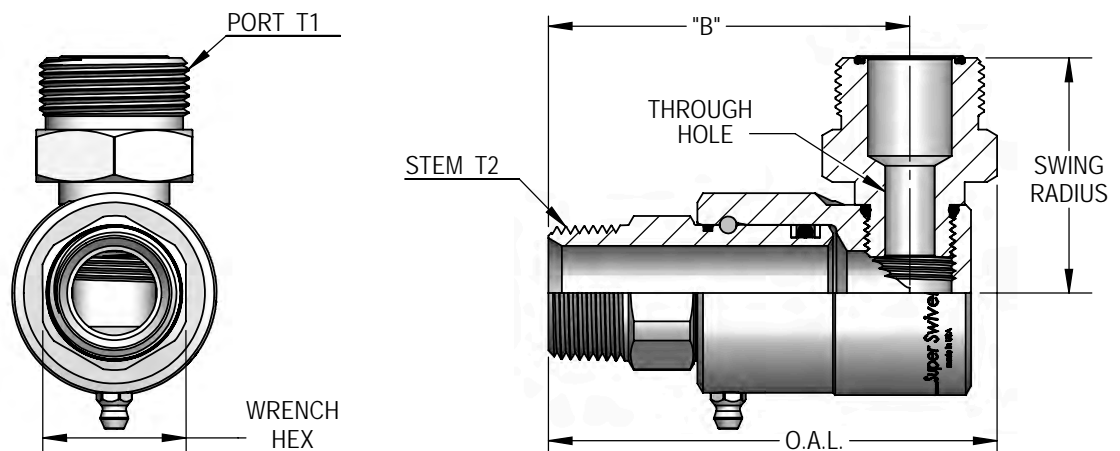
Female Pipe (N.P.T.F.) X Male Face Seal (M.F.S.)



Not Available
In Stainless Steel!

| PART NUMBER | O.A.L. | DIM. B | WRENCH/HEX | PORT T1 | STEM T2 | SWG. RADIUS | MAX. P.S.I.G. | THROUGH HOLE |
|-------------------------|--------|--------|------------|-----------------|-----------------------|-------------|---------------|--------------|
| 9 SS 4 FP 25 X MFS 6 | 2.510 | 2.000 | 0.750 | 11/16-16 U.N. | 1/4-18 N.P.T.F. | 1.314 | 5000 | 0.265 |
| 9 SS 8 FP 38 X MFS 6 | 2.670 | 2.120 | 0.875 | 11/16-16 U.N. | 3/8-18 N.P.T.F. | 1.432 | 5000 | 0.265 |
| 9 SS 8 FP 38 X MFS 8 | 2.670 | 2.120 | 0.875 | 13/16-16 U.N. | 3/8-18 N.P.T.F. | 1.669 | 5000 | 0.265 |
| 9 SS 8 FP 50 X MFS 8 | 2.850 | 2.270 | 1.125 | 13/16-16 U.N. | 1/2-14 N.P.T.F. | 1.669 | 5000 | 0.265 |
| 9 SS 8 FP 50 X MFS 10 | 2.850 | 2.270 | 1.125 | 1-14 U.N. | 1/2-14 N.P.T.F. | 1.826 | 5000 | 0.265 |
| 9 SS 12 FP 75 X MFS 12 | 3.000 | 2.360 | 1.375 | 13/16-12 U.N. | 3/4-14 N.P.T.F. | 2.089 | 4500 | 0.389 |
| 9 SS 16 FP 100 X MFS 16 | 3.860 | 2.980 | 1.625 | 17/16-12 U.N. | 1-11 1/2 N.P.T.F. | 2.255 | 4000 | 0.484 |
| 9 SS 20 FP 125 X MFS 20 | 4.300 | 3.285 | 2.000 | 11 1/16-12 U.N. | 1 1/4-11 1/2 N.P.T.F. | 2.658 | 4000 | 0.718 |
| 9 SS 24 FP 150 X MFS 24 | 5.260 | 4.040 | 2.370 | 2-12 U.N. | 1 1/2-11 1/2 N.P.T.F. | 2.904 | 4000 | 0.844 |

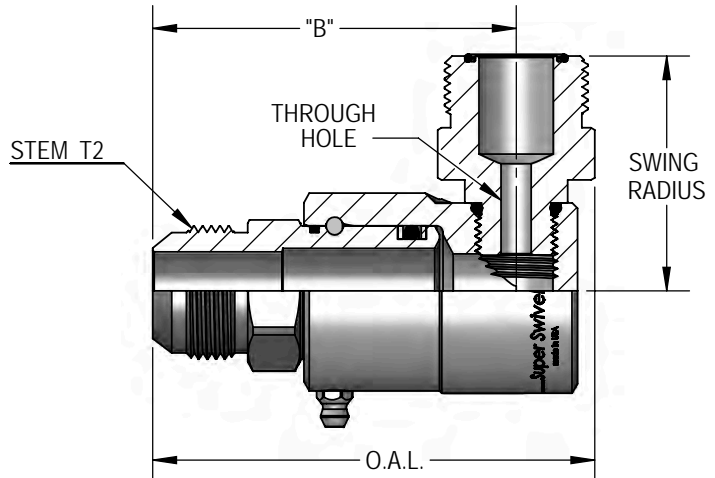
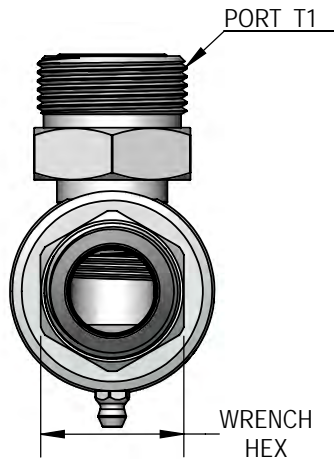
Male Pipe (N.P.T.F.) X Male Face Seal (M.F.S.)



Not Available
In Stainless Steel!

| PART NUMBER | O.A.L. | DIM. B | WRENCH/HEX | PORT T1 | STEM T2 | SWG. RADIUS | MAX. P.S.I.G. | THROUGH HOLE |
|-------------------------|--------|--------|------------|-----------------|-----------------------|-------------|---------------|--------------|
| 9 SS 4 MP 25 X MFS 6 | 2.640 | 2.130 | 0.625 | 11/16-16 U.N. | 1/4-18 N.P.T.F. | 1.314 | 5000 | 0.265 |
| 9 SS 4 MP 38 X MFS 6 | 2.720 | 2.210 | 0.750 | 11/16-16 U.N. | 3/8-18 N.P.T.F. | 1.314 | 5000 | 0.265 |
| 9 SS 8 MP 38 X MFS 6 | 2.670 | 2.125 | 1.000 | 11/16-16 U.N. | 3/8-18 N.P.T.F. | 1.432 | 5000 | 0.265 |
| 9 SS 8 MP 38 X MFS 8 | 2.670 | 2.125 | 1.000 | 13/16-16 U.N. | 3/8-18 N.P.T.F. | 1.669 | 5000 | 0.265 |
| 9 SS 8 MP 50 X MFS 8 | 3.170 | 2.620 | 1.000 | 13/16-16 U.N. | 1/2-14 N.P.T.F. | 1.669 | 5000 | 0.265 |
| 9 SS 8 MP 50 X MFS 10 | 3.170 | 2.620 | 1.000 | 1-14 U.N. | 1/2-14 N.P.T.F. | 1.826 | 5000 | 0.265 |
| 9 SS 12 MP 75 X MFS 12 | 3.400 | 2.760 | 1.125 | 13/16-12 U.N. | 3/4-14 N.P.T.F. | 2.089 | 4500 | 0.389 |
| 9 SS 16 MP 100 X MFS 16 | 4.320 | 3.462 | 1.375 | 17/16-12 U.N. | 1-11 1/2 N.P.T.F. | 2.255 | 4000 | 0.484 |
| 9 SS 20 MP 125 X MFS 20 | 4.800 | 3.795 | 1.750 | 11 1/16-12 U.N. | 1 1/4-11 1/2 N.P.T.F. | 2.658 | 4000 | 0.718 |
| 9 SS 24 MP 150 X MFS 24 | 5.846 | 4.620 | 1.995 | 2-12 U.N. | 1 1/2-11 1/2 N.P.T.F. | 2.904 | 4000 | 0.844 |

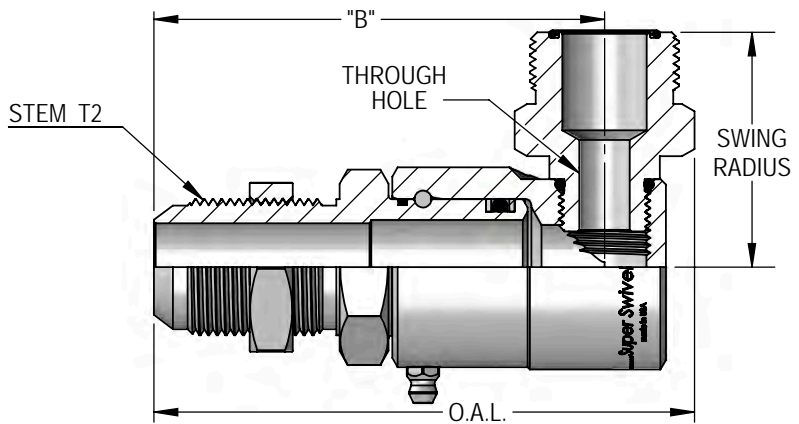
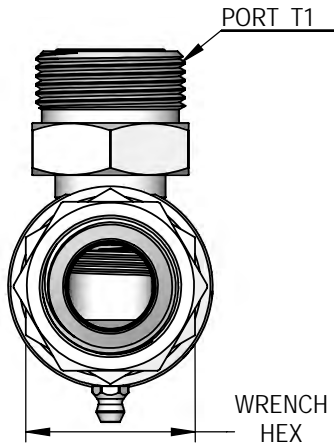
Male J.I.C. (37°) X Male Face Seal (M.F.S.)



Not Available
In Stainless Steel!

| PART NUMBER | O.A.L. | DIM. B | WRENCH/HEX | PORT T1 | STEM T2 | SWG. RADIUS | MAX. P.S.I.G. | THROUGH HOLE |
|------------------------|--------|--------|------------|----------------|---------------|-------------|---------------|--------------|
| 9 SS 4 MJ 4 X MFS 4 | 2.837 | 2.325 | 0.625 | 9/16-18 U.N. | 7/16-20 U.N. | 1.266 | 5000 | 0.172 |
| 9 SS 4 MJ 6 X MFS 6 | 2.857 | 2.345 | 0.625 | 11/16-16 U.N. | 9/16-18 U.N. | 1.314 | 5000 | 0.265 |
| 9 SS 8 MJ 8 X MFS 6 | 3.070 | 2.523 | 1.000 | 11/16-16 U.N. | 3/4-16 U.N. | 1.432 | 5000 | 0.265 |
| 9 SS 8 MJ 8 X MFS 8 | 3.070 | 2.523 | 1.000 | 13/16-16 U.N. | 3/4-16 U.N. | 1.669 | 5000 | 0.265 |
| 9 SS 8 MJ 8 X MFS 10 | 3.070 | 2.523 | 1.000 | 1-14 U.N. | 3/4-16 U.N. | 1.826 | 5000 | 0.265 |
| 9 SS 8 MJ 10 X MFS 8 | 3.160 | 2.613 | 1.000 | 13/16-16 U.N. | 7/8-14 U.N. | 1.669 | 5000 | 0.265 |
| 9 SS 8 MJ 10 X MFS 10 | 3.160 | 2.613 | 1.000 | 1-14 U.N. | 7/8-14 U.N. | 1.826 | 5000 | 0.265 |
| 9 SS 12 MJ 12 X MFS 12 | 3.525 | 2.885 | 1.125 | 13/16-12 U.N. | 11/16-12 U.N. | 2.089 | 4500 | 0.389 |
| 9 SS 16 MJ 16 X MFS 16 | 4.070 | 3.482 | 1.375 | 17/16-12 U.N. | 15/16-12 U.N. | 2.255 | 4000 | 0.484 |
| 9 SS 20 MJ 20 X MFS 20 | 4.680 | 3.835 | 1.750 | 111/16-12 U.N. | 15/8-12 U.N. | 2.658 | 4000 | 0.718 |
| 9 SS 24 MJ 24 X MFS 24 | 5.930 | 4.710 | 2.000 | 2-12 U.N. | 17/8-12 U.N. | 2.904 | 4000 | 0.844 |

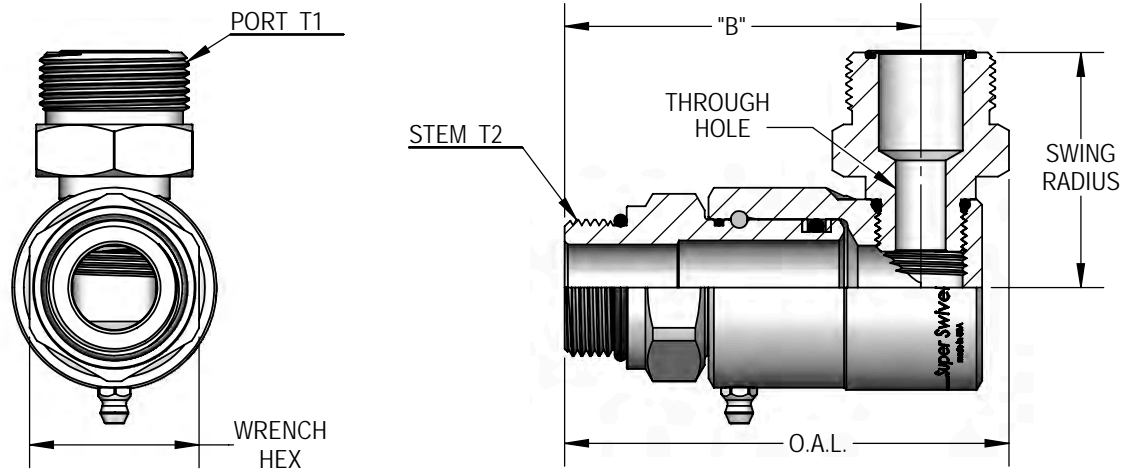
Male J.I.C. Bulkhead (37°) X Male Face Seal (M.F.S.)



Not Available
In Stainless Steel!

| PART NUMBER | O.A.L. | DIM. B | WRENCH/HEX | PORT T1 | STEM T2 | SWG. RADIUS | MAX. P.S.I.G. | THROUGH HOLE |
|-------------------------|--------|--------|------------|----------------|---------------|-------------|---------------|--------------|
| 9 SS 4 MJB 6 X MFS 6 | 3.500 | 2.990 | .812 | 11/16-16 U.N. | 9/16-18 U.N. | 1.440 | 5000 | 0.250 |
| 9 SS 8 MJB 8 X MFS 6 | 3.805 | 3.258 | 1.000 | 11/16-16 U.N. | 3/4-16 U.N. | 1.432 | 5000 | 0.265 |
| 9 SS 8 MJB 8 X MFS 8 | 3.805 | 3.258 | 1.000 | 13/16-16 U.N. | 3/4-16 U.N. | 1.669 | 5000 | 0.265 |
| 9 SS 8 MJB 8 X MFS 10 | 3.805 | 3.258 | 1.000 | 1-14 U.N. | 3/4-16 U.N. | 1.826 | 5000 | 0.265 |
| 9 SS 8 MJB 10 X MFS 6 | 4.025 | 3.478 | 1.125 | 11/16-16 U.N. | 7/8-14 U.N. | 1.432 | 5000 | 0.265 |
| 9 SS 8 MJB 10 X MFS 8 | 4.025 | 3.478 | 1.125 | 13/16-16 U.N. | 7/8-14 U.N. | 1.669 | 5000 | 0.265 |
| 9 SS 8 MJB 10 X MFS 10 | 4.025 | 3.478 | 1.125 | 1-14 U.N. | 7/8-14 U.N. | 1.826 | 5000 | 0.265 |
| 9 SS 12 MJB 12 X MFS 12 | 4.445 | 3.805 | 1.375 | 13/16-12 U.N. | 11/16-12 U.N. | 2.089 | 4500 | 0.389 |
| 9 SS 16 MJB 16 X MFS 16 | 5.200 | 4.317 | 1.625 | 17/16-12 U.N. | 15/16-12 U.N. | 2.255 | 4000 | 0.484 |
| 9 SS 20 MJB 20 X MFS 20 | 5.750 | 4.730 | 1.875 | 111/16-12 U.N. | 15/8-12 U.N. | 2.658 | 4000 | 0.718 |

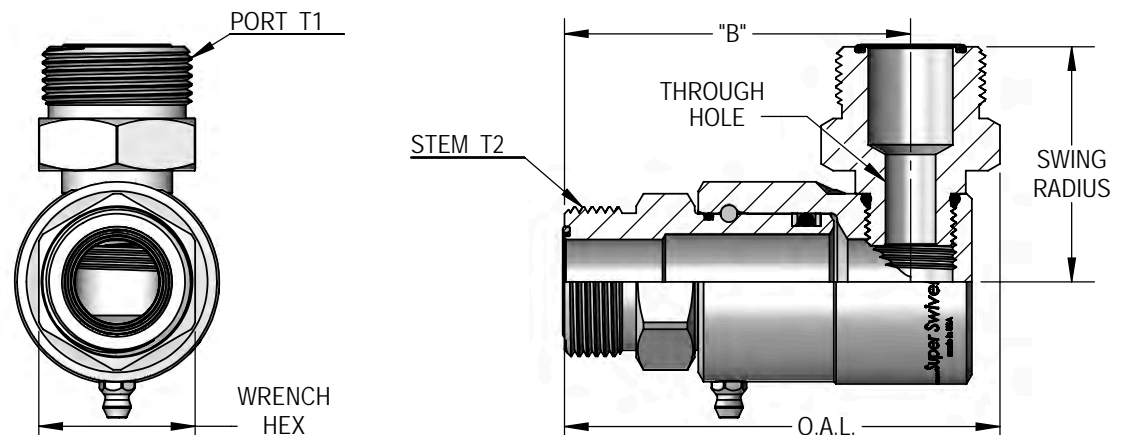
Male O-Ring (O.R.B.) X Male Face Seal (M.F.S.)



Not Available
In Stainless Steel!

| PART NUMBER | O.A.L. | DIM. B | WRENCH/HEX | PORT T1 | STEM T2 | SWG. RADIUS | MAX. P.S.I.G. | THROUGH HOLE |
|------------------------|--------|--------|------------|----------------|---------------|-------------|---------------|--------------|
| 9 SS 4 MO 4 X MFS 4 | 2.727 | 2.215 | 0.625 | 9/16-18 U.N. | 7/16-20 U.N. | 1.266 | 5000 | 0.172 |
| 9 SS 4 MO 6 X MFS 6 | 2.727 | 2.215 | 0.750 | 11/16-16 U.N. | 9/16-18 U.N. | 1.314 | 5000 | 0.265 |
| 9 SS 8 MO 8 X MFS 6 | 2.923 | 2.376 | 1.000 | 11/16-16 U.N. | 3/4-16 U.N. | 1.432 | 5000 | 0.265 |
| 9 SS 8 MO 8 X MFS 8 | 2.923 | 2.376 | 1.000 | 13/16-16 U.N. | 3/4-16 U.N. | 1.669 | 5000 | 0.265 |
| 9 SS 8 MO 8 X MFS 10 | 2.923 | 2.376 | 1.000 | 1-14 U.N. | 3/4-16 U.N. | 1.826 | 5000 | 0.265 |
| 9 SS 8 MO 10 X MFS 8 | 3.045 | 2.498 | 1.000 | 13/16-16 U.N. | 7/8-14 U.N. | 1.669 | 5000 | 0.265 |
| 9 SS 8 MO 10 X MFS 10 | 3.045 | 2.498 | 1.000 | 1-14 U.N. | 7/8-14 U.N. | 1.826 | 5000 | 0.265 |
| 9 SS 12 MO 12 X MFS 12 | 3.389 | 2.749 | 1.375 | 1 3/16-12 U.N. | 11/16-12 U.N. | 2.089 | 4500 | 0.389 |
| 9 SS 16 MO 16 X MFS 16 | 4.270 | 3.411 | 1.625 | 17/16-12 U.N. | 15/16-12 U.N. | 2.255 | 4000 | 0.484 |
| 9 SS 20 MO 20 X MFS 20 | 4.780 | 3.755 | 1.875 | 111/16-12 U.N. | 15/8-12 U.N. | 2.658 | 4000 | 0.718 |
| 9 SS 24 MO 24 X MFS 24 | 5.760 | 4.540 | 2.125 | 2-12 U.N. | 17/8-12 U.N. | 2.904 | 4000 | 0.844 |

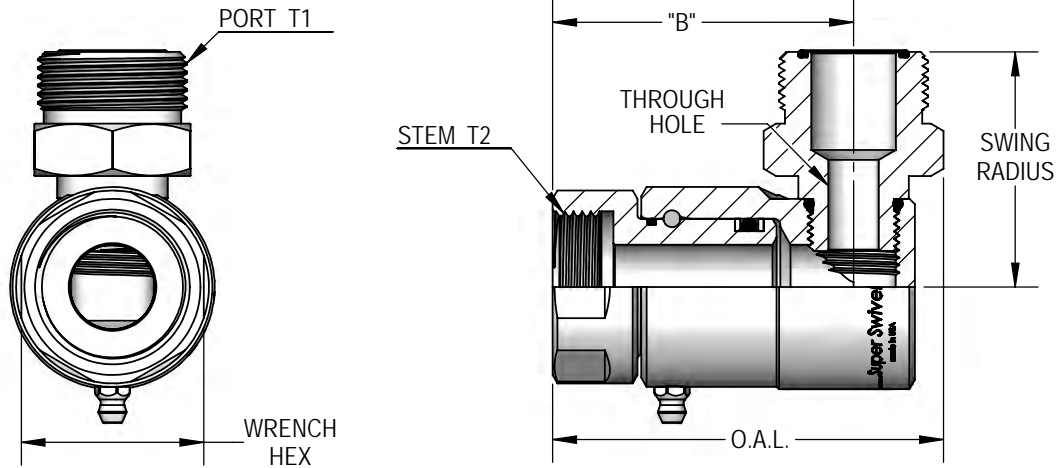
Male Face Seal (M.F.S.) X Male Face Seal (M.F.S.)



Not Available
In Stainless Steel!

| PART NUMBER | O.A.L. | DIM. B | PORT T1 | STEM T2 | WRENCH/HEX | SWING RADIUS | MAX P.S.I.G. | THROUGH HOLE |
|-------------------------|--------|--------|----------------|----------------|------------|--------------|--------------|--------------|
| 9 SS 4 MFS 6 X MFS 6 | 2.688 | 2.176 | 11/16-16 U.N. | 11/16-16 U.N. | 0.750 | 1.450 | 5000 | 0.250 |
| 9 SS 8 MFS 8 X MFS 8 | 2.909 | 2.362 | 13/16-16 U.N. | 13/16-16 U.N. | 1.000 | 1.706 | 5000 | 0.264 |
| 9 SS 8 MFS 10 X MFS 10 | 3.105 | 2.558 | 1-14 U.N. | 1-14 U.N. | 1.125 | 1.826 | 5000 | 0.297 |
| 9 SS 12 MFS 12 X MFS 12 | 3.385 | 2.745 | 13/16-12 U.N. | 13/16-12 U.N. | 1.250 | 2.135 | 4500 | 0.378 |
| 9 SS 16 MFS 16 X MFS 16 | 4.190 | 3.316 | 17/16-12 U.N. | 17/16-12 U.N. | 1.500 | 2.255 | 4000 | 0.484 |
| 9 SS 20 MFS 20 X MFS 20 | 4.670 | 3.649 | 111/16-16 U.N. | 111/16-12 U.N. | 1.750 | 2.658 | 4000 | 0.718 |
| 9 SS 24 MFS 24 X MFS 24 | 5.600 | 4.370 | 2-12 U.N. | 2-12 U.N. | 2.125 | 2.845 | 4000 | 0.811 |

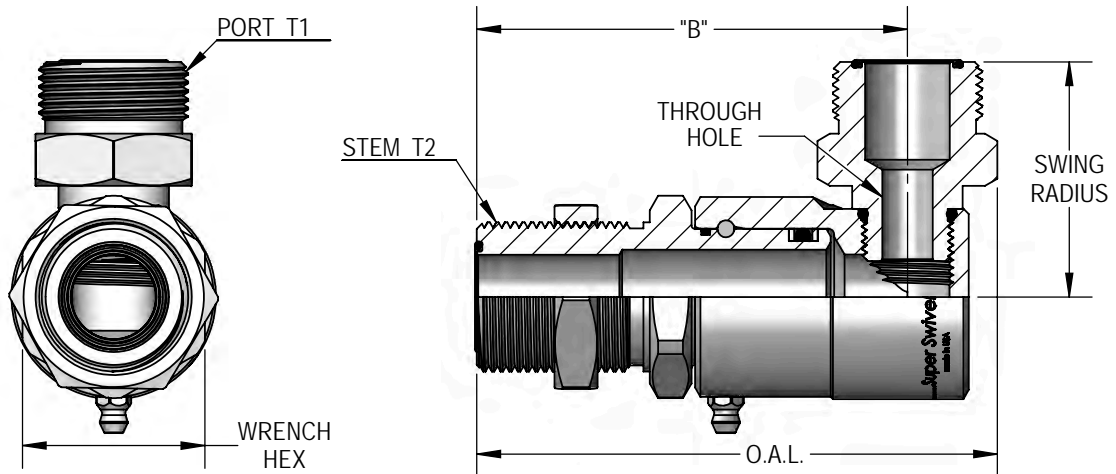
Female Face Seal (F.F.S.) X Male Face Seal (M.F.S.)



Not Available
In Stainless Steel!

| PART NUMBER | O.A.L. | DIM. B | DIM. C | PORT T1 | STEM T2 | WRENCH/HEX | SWING RADIUS | MAX P.S.I.G. | THROUGH HOLE |
|-------------------------|--------|--------|--------|--|--|------------|--------------|--------------|--------------|
| 9 SS 4 FFS 6 X MFS 6 | 2.465 | 1.950 | 0.375 | 11/16-16 U.N. | 11/16-16 U.N. | 0.875 | 1.450 | 5000 | 0.250 |
| 9 SS 8 FFS 8 X MFS 8 | 2.670 | 2.120 | 0.433 | 13/16-16 U.N. | 13/16-16 U.N. | 1.120 | 1.706 | 5000 | 0.264 |
| 9 SS 8 FFS 10 X MFS 10 | 2.720 | 2.170 | 0.504 | 1-14 U.N. | 1-14 U.N. | 1.250 | 1.826 | 5000 | 0.297 |
| 9 SS 12 FFS 12 X MFS 12 | 2.950 | 2.310 | 0.571 | 1 ³ / ₁₆ -12 U.N. | 1 ³ / ₁₆ -12 U.N. | 1.500 | 2.135 | 4500 | 0.378 |
| 9 SS 16 FFS 16 X MFS 16 | 3.370 | 2.890 | 0.583 | 1 ⁷ / ₁₆ -12 U.N. | 1 ⁷ / ₁₆ -12 U.N. | 1.750 | 2.255 | 4000 | 0.484 |
| 9 SS 20 FFS 20 X MFS 20 | 4.190 | 3.180 | 0.583 | 1 ¹¹ / ₁₆ -16 U.N. | 1 ¹¹ / ₁₆ -12 U.N. | 2.125 | 2.658 | 4000 | 0.718 |
| 9 SS 24 FFS 24 X MFS 24 | 5.060 | 3.840 | 0.583 | 2-12 U.N. | 2-12 U.N. | 2.375 | 2.845 | 4000 | 0.811 |

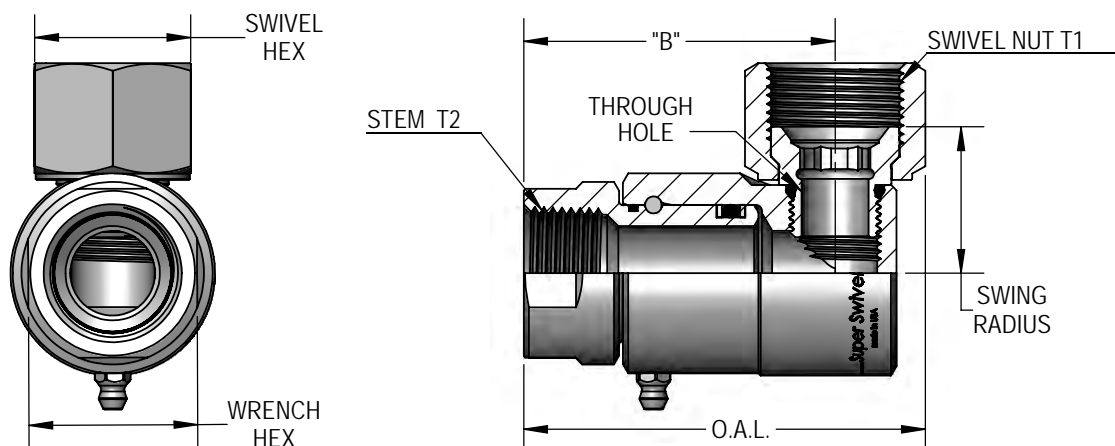
Male Face Seal Bulkhead (M.F.S.B.) X Male Face Seal (M.F.S.)



Not Available
In Stainless Steel!

| PART NUMBER | O.A.L. | DIM. B | PORT T1 | STEM T2 | WRENCH/HEX | SWING RADIUS | MAX P.S.I.G. | THROUGH HOLE |
|--------------------------|--------|--------|--|--|------------|--------------|--------------|--------------|
| 9 SS 4 MFSB 6 X MFS 6 | 3.587 | 3.075 | 11/16-16 U.N. | 11/16-16 U.N. | 1.000 | 1.450 | 5000 | 0.250 |
| 9 SS 8 MFSB 8 X MFS 8 | 3.805 | 3.258 | 13/16-16 U.N. | 13/16-16 U.N. | 1.125 | 1.706 | 5000 | 0.264 |
| 9 SS 8 MFSB 10 X MFS 10 | 3.965 | 3.418 | 1-14 U.N. | 1-14 U.N. | 1.125 | 1.826 | 5000 | 0.297 |
| 9 SS 12 MFSB 12 X MFS 12 | 4.245 | 3.605 | 1 ³ / ₁₆ -12 U.N. | 1 ³ / ₁₆ -12 U.N. | 1.500 | 2.135 | 4500 | 0.378 |
| 9 SS 16 MFSB 16 X MFS 16 | 5.000 | 4.127 | 1 ⁷ / ₁₆ -12 U.N. | 1 ⁷ / ₁₆ -12 U.N. | 1.750 | 2.255 | 4000 | 0.484 |
| 9 SS 20 MFSB 20 X MFS 20 | 5.430 | 4.420 | 1 ¹¹ / ₁₆ -12 U.N. | 1 ¹¹ / ₁₆ -12 U.N. | 2.000 | 2.658 | 4000 | 0.718 |

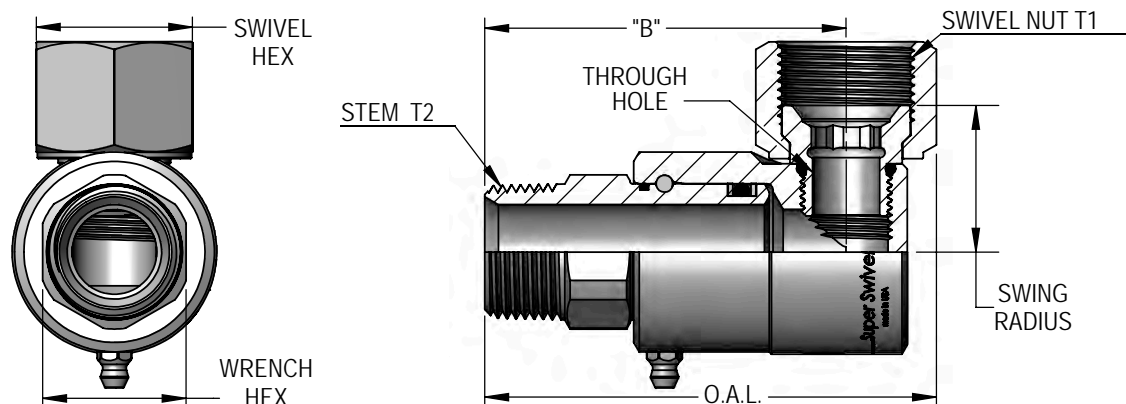
Female Pipe (N.P.T.F.) X J.I.C. Swivel Nut (37°)



Not Available
In Stainless Steel!

| PART NUMBER | O.A.L. | DIM. B | SWIVEL HEX | WRENCH/HEX | SWIVEL NUT T1 | STEM T2 | SWG. RADIUS | MAX P.S.I.G. | THROUGH HOLE |
|-------------------------|--------|--------|------------|------------|----------------|-----------------------|-------------|--------------|--------------|
| 9 SS 4 FP 25 X FJS 4 | 2.510 | 2.000 | 0.562 | 0.750 | 7/16-20 U.N. | 1/4-18 N.P.T.F. | 1.171 | 3500 | 0.165 |
| 9 SS 4 FP 25 X FJS 6 | 2.510 | 2.000 | 0.687 | 0.750 | 9/16-18 U.N. | 1/4-18 N.P.T.F. | 1.167 | 3500 | 0.250 |
| 9 SS 8 FP 38 X FJS 6 | 2.670 | 2.120 | 0.687 | 0.875 | 9/16-18 U.N. | 3/8-18 N.P.T.F. | 1.283 | 3500 | 0.290 |
| 9 SS 8 FP 50 X FJS 8 | 2.850 | 2.270 | 0.875 | 1.125 | 3/4-16 U.N. | 1/2-14 N.P.T.F. | 1.254 | 3500 | 0.290 |
| 9 SS 8 FP 50 X FJS 10 | 2.880 | 2.270 | 1.000 | 1.125 | 7/8-14 U.N. | 1/2-14 N.P.T.F. | 1.017 | 4500 | 0.320 |
| 9 SS 12 FP 75 X FJS 12 | 3.080 | 2.360 | 1.250 | 1.375 | 1 1/16-12 U.N. | 3/4-14 N.P.T.F. | 1.040 | 4500 | 0.460 |
| 9 SS 16 FP 100 X FJS 16 | 3.840 | 2.980 | 1.500 | 1.625 | 1 5/16-12 U.N. | 1-11 1/2 N.P.T.F. | 1.277 | 4000 | 0.650 |
| 9 SS 20 FP 125 X FJS 20 | 4.430 | 3.285 | 2.000 | 2.000 | 1 5/8-12 U.N. | 1 1/4-11 1/2 N.P.T.F. | 1.403 | 4000 | 0.790 |
| 9 SS 24 FP 150 X FJS 24 | 5.335 | 4.040 | 2.250 | 2.375 | 1 7/8-12 U.N. | 1 1/2-11 1/2 N.P.T.F. | 1.699 | 4000 | 0.920 |

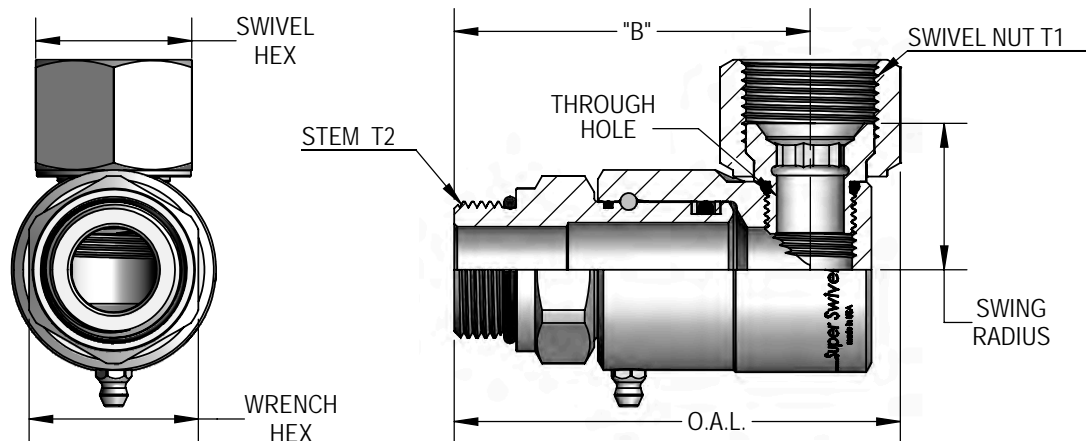
Male Pipe (N.P.T.F.) X J.I.C. Swivel Nut (37°)



Not Available
In Stainless Steel!

| PART NUMBER | O.A.L. | DIM. B | SWIVEL HEX | WRENCH/HEX | SWIVEL NUT T1 | STEM T2 | SWG. RADIUS | MAX P.S.I.G. | THROUGH HOLE |
|-------------------------|--------|--------|------------|------------|----------------|-----------------------|-------------|--------------|--------------|
| 9 SS 4 MP 25 X FJS 4 | 2.640 | 2.130 | 0.562 | 0.625 | 7/16-20 U.N. | 1/4-18 N.P.T.F. | 1.171 | 3500 | 0.165 |
| 9 SS 4 MP 38 X FJS 4 | 2.720 | 2.210 | 0.562 | 0.750 | 7/16-20 U.N. | 3/8-18 N.P.T. | 1.171 | 3500 | 0.165 |
| 9 SS 4 MP 25 X FJS 6 | 2.640 | 2.130 | 0.687 | 0.625 | 9/16-18 U.N. | 1/4-18 N.P.T.F. | 1.167 | 3500 | 0.250 |
| 9 SS 4 MP 38 X FJS 6 | 2.720 | 2.210 | 0.687 | 0.750 | 9/16-18 U.N. | 3/8-18 N.P.T. | 1.167 | 3500 | 0.250 |
| 9 SS 8 MP 38 X FJS 6 | 3.052 | 2.548 | 0.687 | 1.000 | 9/16-18 U.N. | 3/8-18 N.P.T.F. | 1.283 | 3500 | 0.290 |
| 9 SS 8 MP 50 X FJS 8 | 3.170 | 2.620 | 0.875 | 1.000 | 3/4-16 U.N. | 1/2-14 N.P.T.F. | 1.254 | 3500 | 0.290 |
| 9 SS 8 MP 50 X FJS 10 | 3.170 | 2.620 | 1.000 | 1.000 | 7/8-14 U.N. | 1/2-14 N.P.T.F. | 1.017 | 4500 | 0.320 |
| 9 SS 12 MP 75 X FJS 12 | 3.481 | 2.760 | 1.250 | 1.125 | 1 1/16-12 U.N. | 3/4-14 N.P.T.F. | 1.040 | 4500 | 0.460 |
| 9 SS 16 MP 100 X FJS 16 | 4.327 | 3.462 | 1.500 | 1.375 | 1 5/16-12 U.N. | 1-11 1/2 N.P.T.F. | 1.277 | 4000 | 0.650 |
| 9 SS 20 MP 125 X FJS 20 | 4.949 | 3.795 | 2.000 | 1.750 | 1 5/8-12 U.N. | 1 1/4-11 1/2 N.P.T.F. | 1.403 | 4000 | 0.790 |
| 9 SS 24 MP 150 X FJS 24 | 5.910 | 4.620 | 2.250 | 2.000 | 1 7/8-12 U.N. | 1 1/2-11 1/2 N.P.T.F. | 1.699 | 4000 | 0.920 |

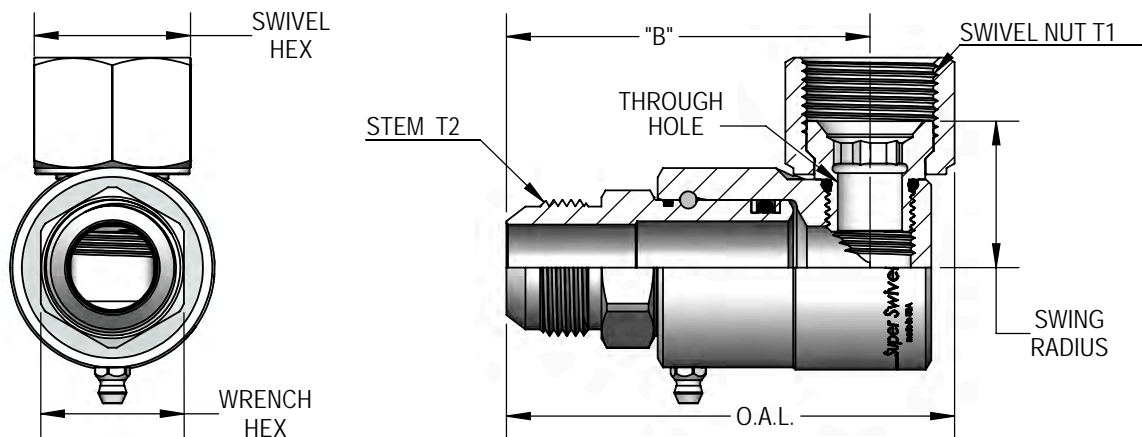
Male O-Ring (O.R.B.) X J.I.C. Swivel Nut (37°)



Not Available
In Stainless Steel!

| PART NUMBER | O.A.L. | DIM. B | SWIVEL HEX | WRENCH/HEX | SWIVEL NUT T1 | STEM T2 | SWG. RADIUS | MAX P.S.I.G. | THROUGH HOLE |
|------------------------|--------|--------|------------|------------|----------------|----------------|-------------|--------------|--------------|
| 9 SS 4 MO 6 X FJS 4 | 2.727 | 2.215 | 0.562 | 0.750 | 7/16-20 U.N. | 9/16-18 U.N. | 1.171 | 3500 | 0.165 |
| 9 SS 4 MO 6 X FJS 6 | 2.727 | 2.215 | 0.687 | 0.750 | 9/16-18 U.N. | 9/16-18 U.N. | 1.167 | 3500 | 0.250 |
| 9 SS 8 MO 8 X FJS 6 | 2.923 | 2.376 | 0.687 | 1.000 | 9/16-18 U.N. | 3/4-16 U.N. | 1.283 | 3500 | 0.290 |
| 9 SS 8 MO 8 X FJS 8 | 2.953 | 2.376 | 0.875 | 1.000 | 3/4-16 U.N. | 3/4-16 U.N. | 1.254 | 3500 | 0.290 |
| 9 SS 8 MO 10 X FJS 10 | 3.075 | 2.498 | 1.000 | 1.000 | 7/8-14 U.N. | 7/8-14 U.N. | 1.017 | 4500 | 0.320 |
| 9 SS 12 MO 12 X FJS 12 | 3.470 | 2.749 | 1.250 | 1.375 | 1 1/16-12 U.N. | 1 1/16-12 U.N. | 1.040 | 4500 | 0.460 |
| 9 SS 16 MO 16 X FJS 16 | 4.276 | 3.411 | 1.500 | 1.625 | 1 5/16-12 U.N. | 1 5/16-12 U.N. | 1.277 | 4000 | 0.650 |
| 9 SS 20 MO 20 X FJS 20 | 4.909 | 3.755 | 2.000 | 1.875 | 1 5/8-12 U.N. | 1 5/8-12 U.N. | 1.403 | 4000 | 0.790 |
| 9 SS 24 MO 24 X FJS 24 | 5.830 | 4.540 | 2.250 | 2.125 | 1 7/8-12 U.N. | 1 7/8-12 U.N. | 1.699 | 4000 | 0.920 |

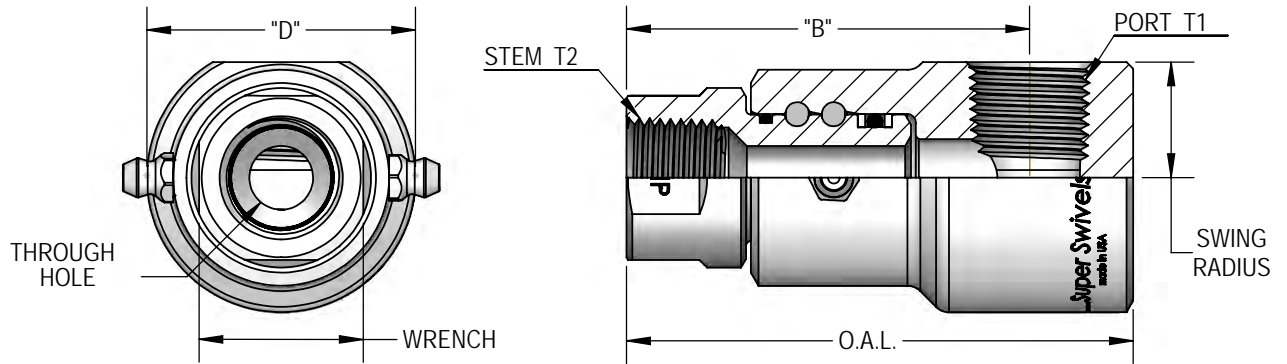
Male J.I.C. (37°) X J.I.C. Swivel Nut (37°)



Not Available
In Stainless Steel!

| PART NUMBER | O.A.L. | DIM. B | SWIVEL HEX | WRENCH/HEX | SWIVEL NUT T1 | STEM T2 | SWG. RADIUS | MAX P.S.I.G. | THROUGH HOLE |
|------------------------|--------|--------|------------|------------|----------------|----------------|-------------|--------------|--------------|
| 9 SS 4 MJ 6 X FJS 4 | 2.887 | 2.375 | 0.562 | 0.625 | 7/16-20 U.N. | 9/16-18 U.N. | 1.171 | 3500 | 0.165 |
| 9 SS 4 MJ 6 X FJS 6 | 2.887 | 2.375 | 0.687 | 0.625 | 9/16-18 U.N. | 9/16-18 U.N. | 1.167 | 3500 | 0.250 |
| 9 SS 8 MJ 8 X FJS 6 | 3.070 | 2.523 | 0.687 | 1.000 | 9/16-18 U.N. | 3/4-16 U.N. | 1.283 | 3500 | 0.290 |
| 9 SS 8 MJ 8 X FJS 8 | 3.100 | 2.523 | 0.875 | 1.000 | 3/4-16 U.N. | 3/4-16 U.N. | 1.254 | 3500 | 0.290 |
| 9 SS 8 MJ 8 X FJS 10 | 3.100 | 2.523 | 1.000 | 1.000 | 7/8-14 U.N. | 3/4-16 U.N. | 1.017 | 4500 | 0.320 |
| 9 SS 8 MJ 10 X FJS 10 | 3.200 | 2.623 | 1.000 | 1.000 | 7/8-14 U.N. | 7/8-14 U.N. | 1.017 | 4500 | 0.320 |
| 9 SS 12 MJ 12 X FJS 12 | 3.606 | 2.885 | 1.250 | 1.125 | 1 1/16-12 U.N. | 1 1/16-12 U.N. | 1.040 | 4500 | 0.460 |
| 9 SS 16 MJ 16 X FJS 16 | 4.348 | 3.482 | 1.500 | 1.375 | 1 5/16-12 U.N. | 1 5/16-12 U.N. | 1.277 | 4000 | 0.650 |
| 9 SS 20 MJ 20 X FJS 20 | 4.989 | 3.835 | 2.000 | 1.750 | 1 5/8-12 U.N. | 1 5/8-12 U.N. | 1.403 | 4000 | 0.790 |
| 9 SS 24 MJ 24 X FJS 24 | 6.000 | 4.710 | 2.250 | 2.000 | 1 7/8-12 U.N. | 1 7/8-12 U.N. | 1.699 | 4000 | 0.920 |

10,000 P.S.I. Female Pipe (N.P.T.F.) X Female Pipe (N.P.T.F.)

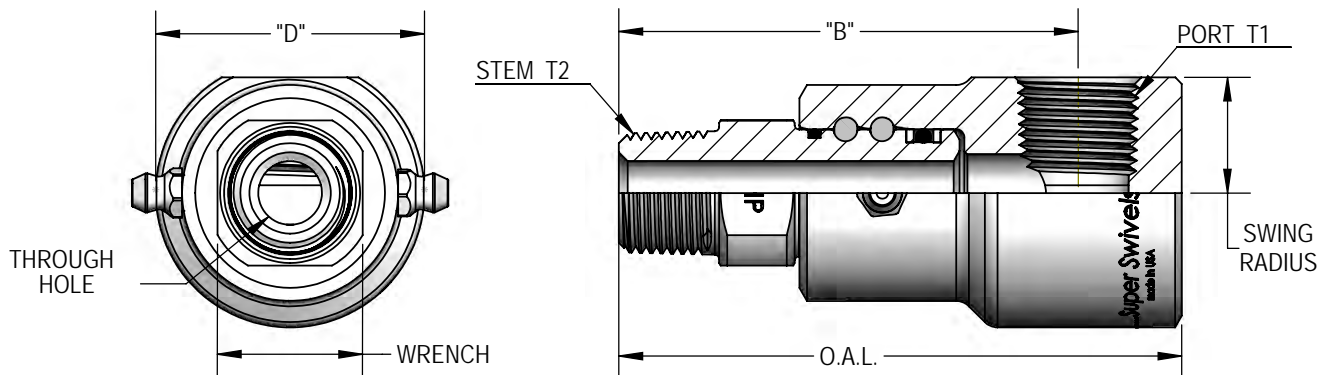


Not Available
In Stainless Steel!

| PART NUMBER | O.A.L. | DIM. B | DIM. D Ø | WRENCH | PORT T1 | STEM T2 | SWG. RADIUS | MAX. P.S.I.G. | THROUGH HOLE |
|-------------------------|--------|--------|----------|--------|-----------------|-----------------|-------------|---------------|--------------|
| 9 SS 8 HP FP 38 X FP 38 | 2.940 | 2.340 | 1.520 | 1.125 | 3/8-18 N.P.T.F. | 3/8-18 N.P.T.F. | 0.660 | 10,000 | 0.437 |
| 9 SS 8 HP FP 50 X FP 50 | 3.470 | 2.895 | 1.842 | 1.125 | 1/2-14 N.P.T.F. | 1/2-14 N.P.T.F. | 1.048 | 10,000 | 0.437 |

HIGH PRESSURE ~ 10,000 P.S.I.

10,000 P.S.I. Male Pipe (N.P.T.F.) X Female Pipe (N.P.T.F.)



Not Available
In Stainless Steel!

| PART NUMBER | O.A.L. | DIM. B | DIM. D Ø | WRENCH | PORT T1 | STEM T2 | SWG. RADIUS | MAX. P.S.I.G. | THROUGH HOLE |
|-------------------------|--------|--------|----------|--------|-----------------|-----------------|-------------|---------------|--------------|
| 9 SS 8 HP MP 38 X FP 38 | 3.375 | 2.800 | 1.520 | 1.000 | 3/8-18 N.P.T.F. | 3/8-18 N.P.T.F. | 0.660 | 10,000 | 0.312 |
| 9 SS 8 HP MP 50 X FP 50 | 3.855 | 3.145 | 1.842 | 1.000 | 1/2-14 N.P.T.F. | 1/2-14 N.P.T.F. | 1.048 | 10,000 | 0.437 |

90° Dual Plane Swivels



Switch Your Swivel!®



Dual Plane Swivels - 90° Dual Plane Swivels rotating joints provide free rotation on two axis's with a right-angle change of path. By having two lines with full rotation the complexity of hose lines can be reduced providing minimal friction and allowing free movement of hoses and piping. 90° Dual Plane Super Swivels allow for sharp corners with reduced risk of kinks and flow restriction and free rotation on two paths. 90° Dual Plane Swivels sizes range from 1/4" through 1 1/2" body thread with various fittings and seal configurations.

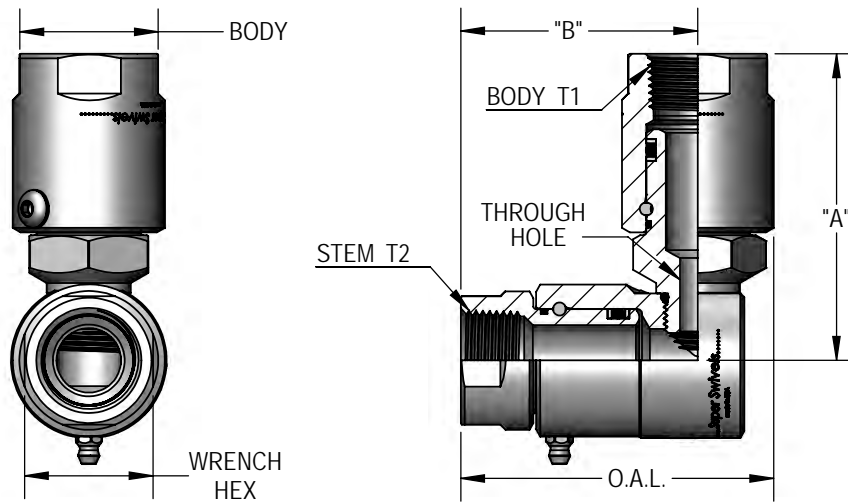
www.SuperSwivels.com

Email: sales@superswivels.com

763-784-5531

Fax: 763-784-7423

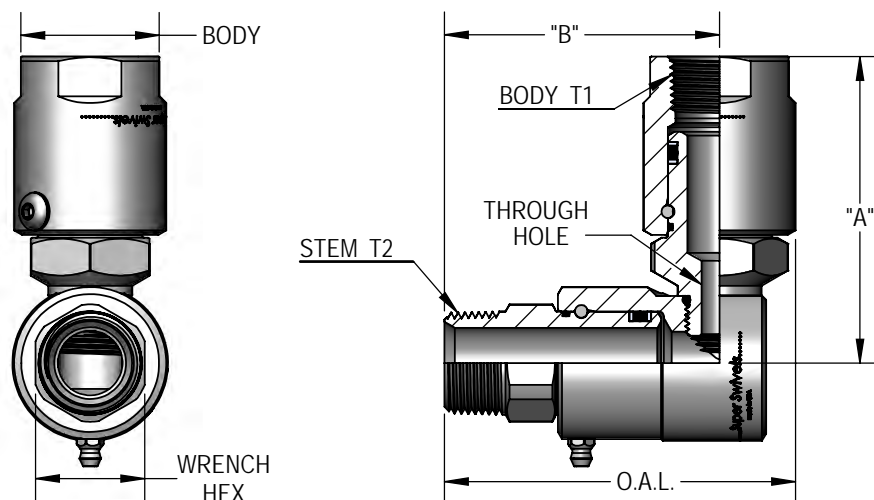
Female Pipe (N.P.T.F.) X Female Pipe (N.P.T.F.)



Not Available
In Stainless Steel!

| PART NUMBER | O.A.L. | DIM. B | BODY | WRENCH/HEX | BODY T1 | STEM T2 | DIM. A | MAX. P.S.I.G. | THROUGH HOLE |
|-------------------------|--------|--------|-------|------------|-----------------------|-----------------------|--------|---------------|--------------|
| 9 DP 4 FP 25 X FP 25 | 2.480 | 2.000 | 0.875 | 0.750 | 1/4-18 N.P.T.F. | 1/4-18 N.P.T.F. | 2.689 | 5000 | 0.250 |
| 9 DP 8 FP 38 X FP 38 | 2.770 | 2.120 | 1.125 | 0.875 | 3/8-18 N.P.T.F. | 3/8-18 N.P.T.F. | 3.063 | 5000 | 0.297 |
| 9 DP 8 FP 50 X FP 50 | 2.920 | 2.270 | 1.250 | 1.125 | 1/2-14 N.P.T.F. | 1/2-14 NN.P.T. | 3.053 | 5000 | 0.297 |
| 9 DP 12 FP 75 X FP 75 | 3.200 | 2.360 | 1.500 | 1.375 | 3/4-14 N.P.T.F. | 3/4-14 N.P.T.F. | 3.190 | 4500 | 0.391 |
| 9 DP 16 FP 100 X FP 100 | 3.940 | 2.980 | 1.750 | 1.625 | 1-11 1/2 N.P.T.F. | 1-11 1/2 N.P.T.F. | 4.090 | 4000 | 0.484 |
| 9 DP 20 FP 125 X FP 125 | 4.460 | 3.285 | 2.125 | 2.000 | 1 1/4-11 1/2 N.P.T.F. | 1 1/4-11 1/2 N.P.T.F. | 4.631 | 4000 | 0.718 |
| 9 DP 24 FP 150 X FP 150 | 5.310 | 4.040 | 2.375 | 2.375 | 1 1/2-11 1/2 N.P.T.F. | 1 1/2-11 1/2 N.P.T.F. | 5.351 | 4000 | 0.844 |

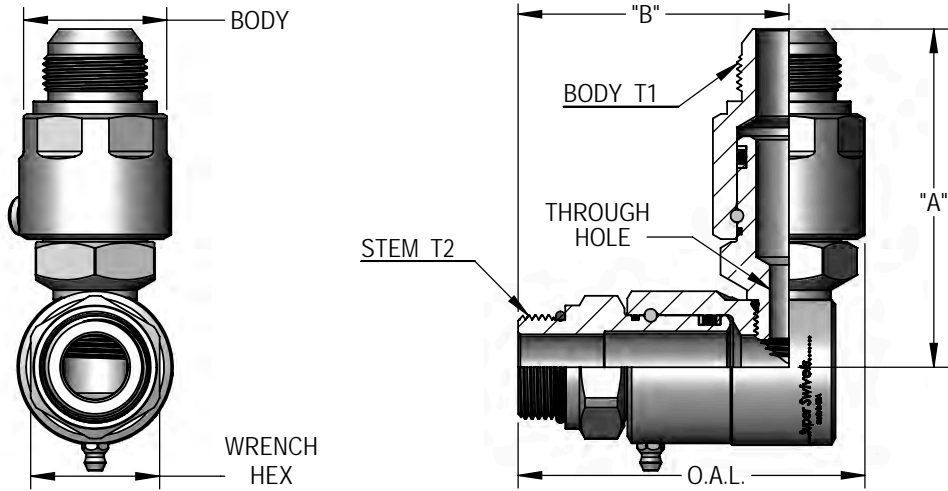
Male Pipe (N.P.T.F.) X Female Pipe (N.P.T.F.)



Not Available
In Stainless Steel!

| PART NUMBER | O.A.L. | DIM. B | BODY | WRENCH/HEX | BODY T1 | STEM T2 | DIM. A | MAX. P.S.I.G. | THROUGH HOLE |
|-------------------------|--------|--------|-------|------------|-----------------------|-----------------------|--------|---------------|--------------|
| 9 DP 4 MP 25 X FP 25 | 2.670 | 2.130 | 0.875 | 0.625 | 1/4-18 N.P.T.F. | 1/4-18 N.P.T.F. | 2.689 | 5000 | 0.250 |
| 9 DP 8 MP 38 X FP 38 | 3.193 | 2.548 | 1.125 | 1.000 | 3/8-18 N.P.T.F. | 3/8-18 N.P.T.F. | 3.063 | 5000 | 0.297 |
| 9 DP 8 MP 50 X FP 50 | 3.318 | 2.673 | 1.250 | 1.000 | 1/2-14 N.P.T.F. | 1/2-14 N.P.T.F. | 3.053 | 5000 | 0.297 |
| 9 DP 12 MP 75 X FP 75 | 3.598 | 2.760 | 1.500 | 1.125 | 3/4-14 N.P.T.F. | 3/4-14 N.P.T.F. | 3.190 | 4500 | 0.391 |
| 9 DP 16 MP 100 X FP 100 | 4.420 | 3.462 | 1.750 | 1.375 | 1-11 1/2 N.P.T.F. | 1-11 1/2 N.P.T.F. | 4.090 | 4000 | 0.484 |
| 9 DP 20 MP 125 X FP 125 | 4.973 | 3.795 | 2.125 | 1.750 | 1 1/4-11 1/2 N.P.T.F. | 1 1/4-11 1/2 N.P.T.F. | 4.631 | 4000 | 0.718 |
| 9 DP 24 MP 150 X FP 150 | 5.890 | 4.620 | 2.375 | 2.000 | 1 1/2-11 1/2 N.P.T.F. | 1 1/2-11 1/2 N.P.T.F. | 5.351 | 4000 | 0.844 |

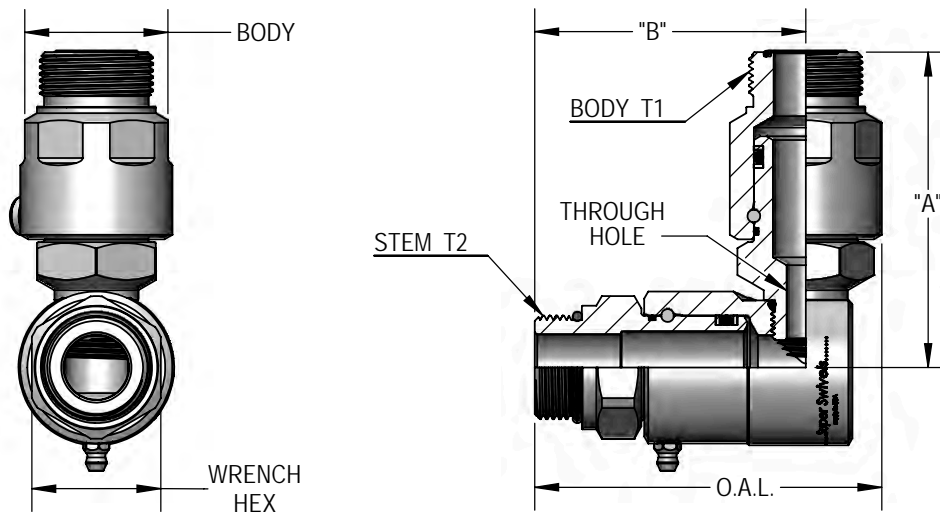
Male O-Ring (O.R.B.) X Male J.I.C. (37°)



Not Available
In Stainless Steel!

| PART NUMBER | O.A.L. | DIM. B | BODY | WRENCH/HEX | BODY T1 | STEM T2 | DIM. A | MAX. P.S.I.G. | THROUGH HOLE |
|-----------------------|--------|--------|-------|------------|----------------|----------------|--------|---------------|--------------|
| 9 DP 4 MO 4 X MJ 4 | 2.792 | 2.215 | 1.000 | 0.625 | 7/16-20 U.N. | 7/16-20 U.N. | 2.689 | 5000 | 0.172 |
| 9 DP 4 MO 6 X MJ 6 | 2.792 | 2.215 | 1.000 | 0.750 | 9/16-18 U.N. | 9/16-18 U.N. | 2.689 | 5000 | 0.250 |
| 9 DP 8 MO 8 X MJ 8 | 3.021 | 2.376 | 1.375 | 1.000 | 3/4-16 U.N. | 3/4-16 U.N. | 3.103 | 5000 | 0.297 |
| 9 DP 8 MO 10 X MJ 10 | 3.291 | 2.498 | 1.375 | 1.000 | 7/8-14 U.N. | 7/8-14 U.N. | 3.253 | 5000 | 0.297 |
| 9 DP 12 MO 12 X MJ 12 | 3.615 | 2.749 | 1.560 | 1.375 | 1 1/16-12 U.N. | 1 1/16-12 U.N. | 3.465 | 4500 | 0.391 |
| 9 DP 16 MO 16 X MJ 16 | 4.370 | 3.411 | 1.810 | 1.625 | 1 5/16-12 U.N. | 1 5/16-12 U.N. | 4.260 | 4000 | 0.484 |
| 9 DP 20 MO 20 X MJ 20 | 4.934 | 3.755 | 2.188 | 1.875 | 1 5/8-12 U.N. | 1 5/8-12 U.N. | 4.796 | 4000 | 0.718 |
| 9 DP 24 MO 24 X MJ 24 | 5.810 | 4.540 | 2.375 | 2.125 | 1 7/8-12 U.N. | 1 7/8-12 U.N. | 5.510 | 4000 | 0.844 |

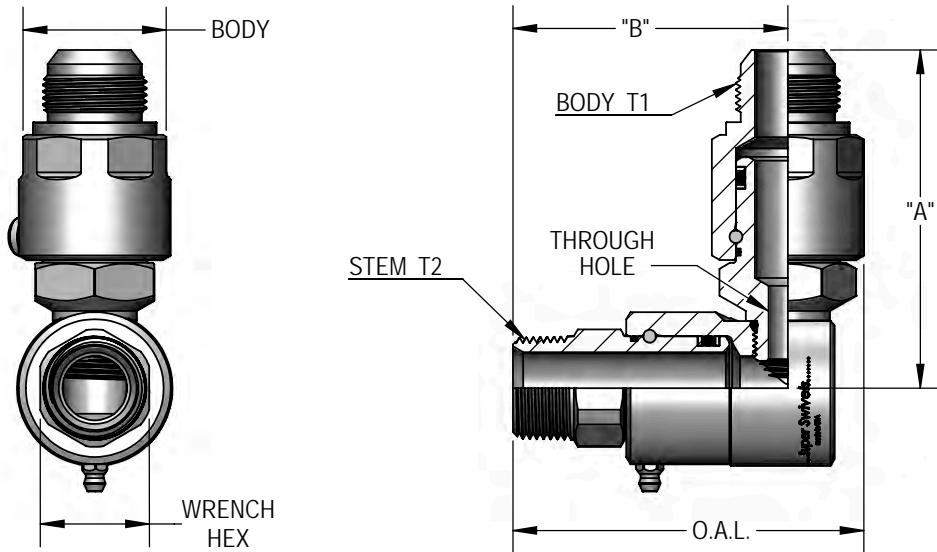
Male O-Ring (O.R.B.) X Male Face Seal (M.F.S.)



Not Available
In Stainless Steel!

| PART NUMBER | O.A.L. | DIM. B | BODY | WRENCH/HEX | BODY T1 | STEM T2 | DIM. A | MAX. P.S.I.G. | THROUGH HOLE |
|------------------------|--------|--------|-------|------------|-----------------|----------------|--------|---------------|--------------|
| 9 DP 4 MO 6 X MFS 6 | 2.792 | 2.215 | 1.000 | 0.625 | 11/16-16 U.N. | 9/16-18 U.N. | 2.609 | 5000 | 0.250 |
| 9 DP 8 MO 8 X MFS 8 | 3.169 | 2.376 | 1.375 | 1.000 | 13/16-16 U.N. | 3/4-16 U.N. | 2.912 | 5000 | 0.297 |
| 9 DP 8 MO 10 X MFS 10 | 3.291 | 2.498 | 1.375 | 1.000 | 1-14 U.N. | 7/8-14 U.N. | 3.018 | 5000 | 0.291 |
| 9 DP 12 MO 12 X MFS 12 | 3.615 | 2.749 | 1.560 | 1.375 | 1 3/16-12 U.N. | 1 1/16-12 U.N. | 3.239 | 4500 | 0.391 |
| 9 DP 16 MO 16 X MFS 16 | 4.370 | 3.411 | 1.810 | 1.625 | 1 7/16-12 U.N. | 1 5/16-12 U.N. | 3.970 | 4000 | 0.484 |
| 9 DP 20 MO 20 X MFS 20 | 4.934 | 3.755 | 2.188 | 1.875 | 1 11/16-12 U.N. | 1 5/8-12 U.N. | 4.446 | 4000 | 0.718 |
| 9 DP 24 MO 24 X MFS 24 | 5.810 | 4.540 | 2.375 | 2.125 | 2-12 U.N. | 1 7/8-12 U.N. | 5.116 | 4000 | 0.844 |

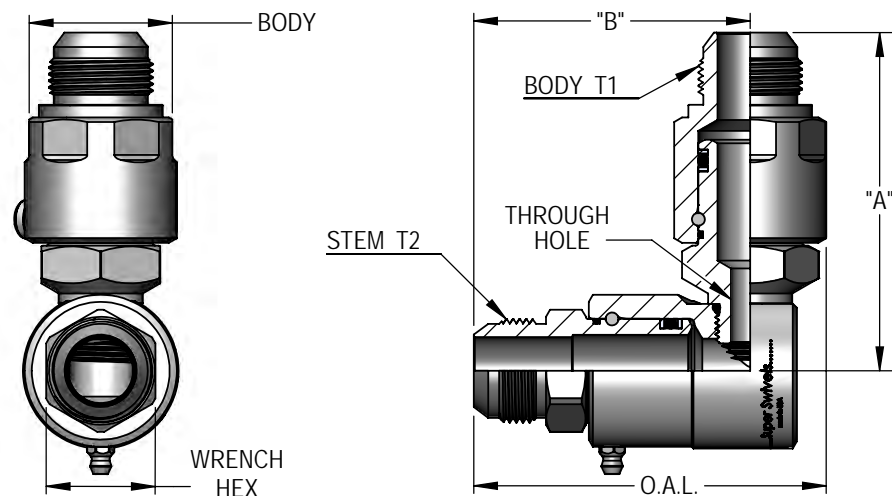
Male Pipe (N.P.T.F.) X Male J.I.C. (37°)



Not Available
In Stainless Steel!

| PART NUMBER | O.A.L. | DIM. B | BODY | WRENCH/HEX | BODY T1 | STEM T2 | DIM. A | MAX. P.S.I.G. | THROUGH HOLE |
|------------------------|--------|--------|-------|------------|----------------|-----------------------|--------|---------------|--------------|
| 9 DP 4 MP 25 X MJ 4 | 2.640 | 2.130 | 1.000 | 0.625 | 7/16-20 U.N. | 1/4-18 N.P.T.F. | 2.689 | 5000 | 0.172 |
| 9 DP 4 MP 38 X MJ 6 | 2.720 | 2.210 | 1.000 | 1.000 | 9/16-18 U.N. | 3/8-18 N.P.T.F. | 2.807 | 5000 | 0.250 |
| 9 DP 8 MP 50 X MJ 8 | 3.360 | 2.620 | 1.375 | 1.000 | 3/4-16 U.N. | 1/2-14 N.P.T.F. | 3.103 | 5000 | 0.297 |
| 9 DP 8 MP 50 X MJ 10 | 3.360 | 2.620 | 1.375 | 1.000 | 7/8-14 U.N. | 1/2-14 N.P.T.F. | 3.253 | 5000 | 0.297 |
| 9 DP 12 MP 75 X MJ 12 | 3.626 | 2.760 | 1.560 | 1.125 | 1 1/16-12 U.N. | 3/4-14 N.P.T.F. | 3.465 | 4500 | 0.391 |
| 9 DP 16 MP 100 X MJ 16 | 4.420 | 3.462 | 1.810 | 1.375 | 1 5/16-12 U.N. | 1-11 1/2 N.P.T.F. | 4.260 | 4000 | 0.484 |
| 9 DP 20 MP 125 X MJ 20 | 4.973 | 3.795 | 2.188 | 1.750 | 1 5/8-12 U.N. | 1 1/4-11 1/2 N.P.T.F. | 4.796 | 4000 | 0.718 |
| 9 DP 24 MP 150 X MJ 24 | 5.890 | 4.620 | 2.375 | 2.000 | 1 7/8-12 U.N. | 1 1/2-11 1/2 N.P.T.F. | 5.510 | 4000 | 0.844 |

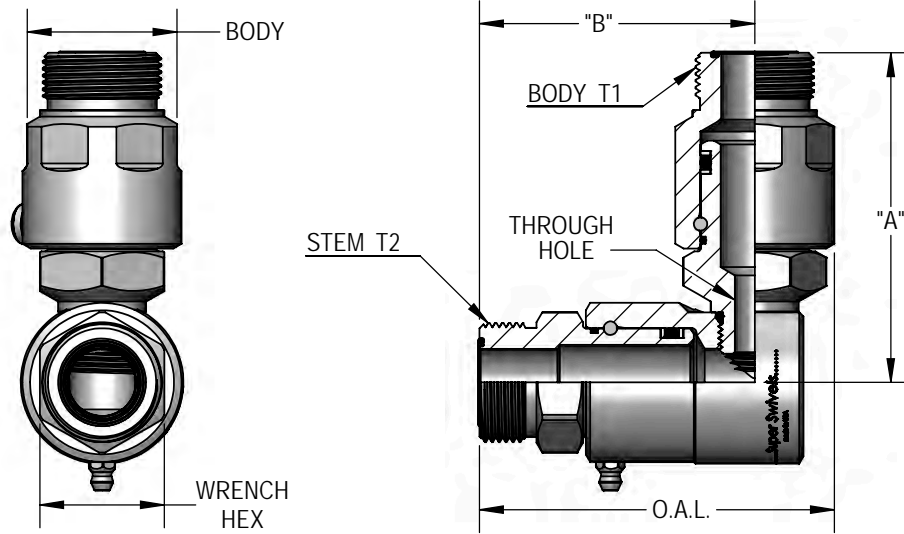
Male J.I.C. (37°) X Male J.I.C. (37°)



Not Available
In Stainless Steel!

| PART NUMBER | O.A.L. | DIM. B | BODY | WRENCH/HEX | BODY T1 | STEM T2 | DIM. A | MAX. P.S.I.G. | THROUGH HOLE |
|-----------------------|--------|--------|-------|------------|----------------|----------------|--------|---------------|--------------|
| 9 DP 4 MJ 4 X MJ 4 | 2.837 | 2.325 | 1.000 | 0.625 | 7/16-20 U.N. | 7/16-20 U.N. | 2.689 | 5000 | 0.172 |
| 9 DP 4 MJ 6 X MJ 6 | 2.922 | 2.345 | 1.000 | 0.625 | 9/16-18 U.N. | 9/16-18 U.N. | 2.689 | 5000 | 0.250 |
| 9 DP 8 MJ 8 X MJ 8 | 3.168 | 2.523 | 1.375 | 1.000 | 3/4-16 U.N. | 3/4-16 U.N. | 3.103 | 5000 | 0.297 |
| 9 DP 8 MJ 10 X MJ 10 | 3.416 | 2.623 | 1.375 | 1.000 | 7/8-14 U.N. | 7/8-14 U.N. | 3.253 | 5000 | 0.297 |
| 9 DP 12 MJ 12 X MJ 12 | 3.751 | 2.885 | 1.560 | 1.125 | 1 1/16-12 U.N. | 1 1/16-12 U.N. | 3.465 | 4500 | 0.391 |
| 9 DP 16 MJ 16 X MJ 16 | 4.441 | 3.482 | 1.810 | 1.375 | 1 5/16-12 U.N. | 1 5/16-12 U.N. | 4.260 | 4000 | 0.484 |
| 9 DP 20 MJ 20 X MJ 20 | 5.013 | 3.835 | 2.188 | 1.750 | 1 5/8-12 U.N. | 1 5/8-12 U.N. | 4.796 | 4000 | 0.718 |
| 9 DP 24 MJ 24 X MJ 24 | 5.980 | 4.710 | 2.375 | 2.000 | 1 7/8-12 U.N. | 1 7/8-12 U.N. | 5.510 | 4000 | 0.844 |

Male Face Seal (M.F.S.) X Male Face Seal (M.F.S.)



Not Available
In Stainless Steel!

| PART NUMBER | O.A.L. | DIM. B | BODY | WRENCH/HEX | BODY T1 | STEM T2 | DIM. A | MAX. P.S.I.G. | THROUGH HOLE |
|-------------------------|--------|--------|-------|------------|--|--|--------|---------------|--------------|
| 9 DP 4 MFS 6 X MFS 6 | 2.753 | 2.176 | 1.000 | 0.750 | 11/16-16 U.N. | 11/16-16 U.N. | 2.609 | 5000 | 0.250 |
| 9 DP 8 MFS 8 X MFS 8 | 3.155 | 2.362 | 1.375 | 1.000 | 13/16-16 U.N. | 13/16-16 U.N. | 2.912 | 5000 | 0.297 |
| 9 DP 8 MFS 10 X MFS 10 | 3.351 | 2.558 | 1.375 | 1.125 | 1-14 U.N. | 1-14 U.N. | 3.018 | 5000 | 0.297 |
| 9 DP 12 MFS 12 X MFS 12 | 3.610 | 2.745 | 1.560 | 1.250 | 13/16-12 U.N. | 1 ³ / ₁₆ -12 U.N. | 3.239 | 4500 | 0.391 |
| 9 DP 16 MFS 16 X MFS 16 | 4.274 | 3.316 | 1.810 | 1.500 | 1 ⁷ / ₁₆ -12 U.N. | 1 ⁷ / ₁₆ -12 U.N. | 3.970 | 4000 | 0.484 |
| 9 DP 20 MFS 20 X MFS 20 | 4.827 | 3.649 | 2.188 | 1.750 | 1 ¹¹ / ₁₆ -12 U.N. | 1 ¹¹ / ₁₆ -12 U.N. | 4.446 | 4000 | 0.718 |
| 9 DP 24 MFS 24 X MFS 24 | 5.645 | 4.370 | 2.375 | 2.125 | 2-12 U.N. | 2-12 U.N. | 5.116 | 4000 | 0.844 |

Swivel 3D CAD Models Are Available



Super Swivels 3D CAD models are available
for all of the standard catalog items.

Call to have us send you the digital file to download.

BSPP

Inline & 90° Swivels



Switch Your Swivel!®

BSPP Swivels (British Standard Parallel Pipe) are most common in the UK, Europe, Asia, Australia, New Zealand and South Africa. A parallel thread fitting uses a bonded seal ring. This bonded ring seal is sandwiched in-between a shoulder on the male fitting and the face of the female fitting and is squeezed in place with no thread sealant required. Super Swivels ball bearing race design withstands heavy side loads preventing premature seal wear and leaks. BSPP sizes range from 1/4" through 1 1/2" body thread with multiple fittings and seal configurations including Inline and 90° Swivels.

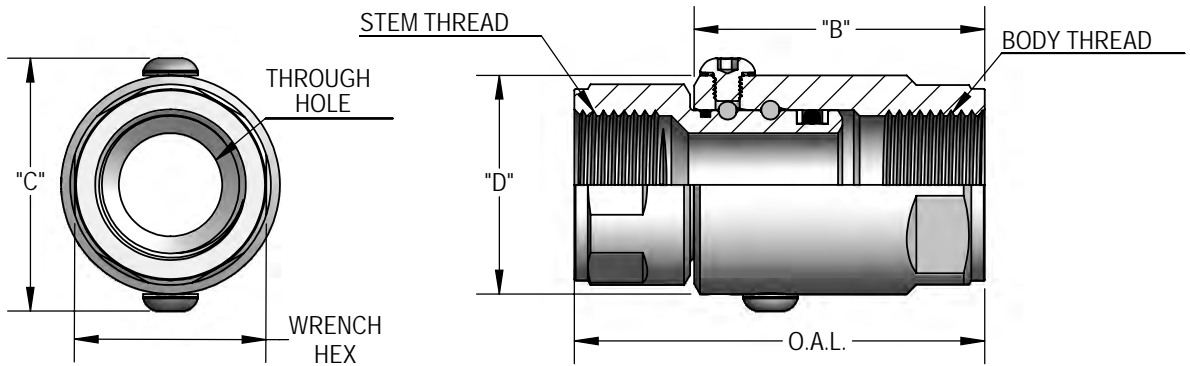
www.SuperSwivels.com

Email: sales@superswivels.com

763-784-5531

Fax: 763-784-7423

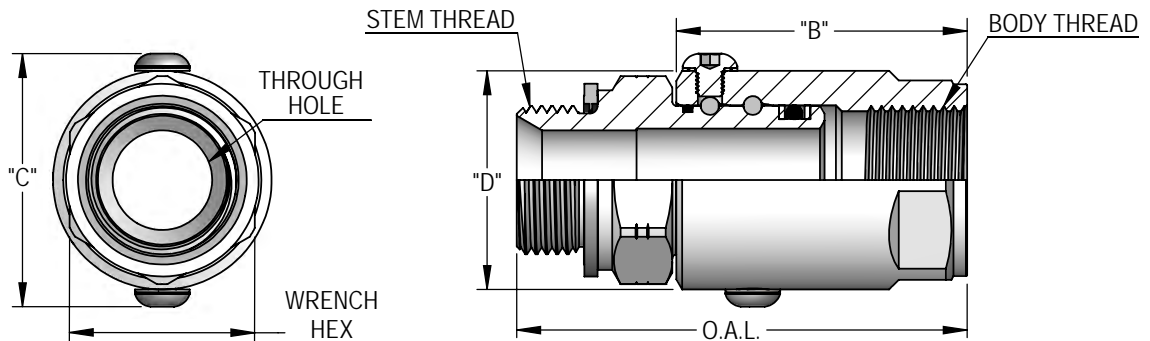
Female BSPP X Female BSPP



Not Available
In Stainless Steel!

| PART NUMBER | O.A.L. | DIM. B | DIM. D Ø | DIM. C | WRENCH HEX | BODY THREAD | STEM THREAD | MAX. PRES. | THROUGH HOLE |
|------------------------------|-------------------|------------------|------------------|------------------|------------------|-----------------|-----------------|----------------------|------------------|
| SS 4 FBSPP 4 X FBSPP 4 | 2.570 65.3 mm | 1.720 43.7 mm | 0.992 25.2 mm | 1.122 28.5 mm | 0.875 22.2 mm | G 1/4-19 BSPP | G 1/4-19 BSPP | 5,000 PSI 345 BAR | 0.250 6.3 mm |
| SS 6 FBSPP 6 X FBSPP 6 | 2.663 67.6 mm | 1.780 45.2 mm | 1.302 33.1 mm | 1.702 43.2 mm | 1.187 30.1 mm | G 3/8-19 BSPP | G 3/8-19 BSPP | 5,000 PSI 345 BAR | 0.312 7.9 mm |
| SS 8 DB FBSPP 8 X FBSPP 8 | 3.007 76.4 mm | 2.080 52.8 mm | 1.480 37.6 mm | 1.880 47.8 mm | 1.312 33.3 mm | G 1/2-14 BSPP | G 1/2-14 BSPP | 5,000 PSI 345 BAR | 0.406 10.3 mm |
| SS 12 DB FBSPP 12 X FBSPP 12 | 3.102 78.8 mm | 2.100 53.3 mm | 1.675 42.5 mm | 2.070 52.6 mm | 1.500 38.1 mm | G 3/4-14 BSPP | G 3/4-14 BSPP | 5,000 PSI 345 BAR | 0.630 16.0 mm |
| SS 16 DB FBSPP 16 X FBSPP 16 | 3.725 94.6 mm | 2.550 64.8 mm | 1.917 48.7 mm | 2.320 58.9 mm | 1.750 44.4 mm | G 1-11 BSPP | G 1-11 BSPP | 4,500 PSI 310 BAR | 0.787 20.0 mm |
| SS 20 FBSPP 20 X FBSPP 20 | 4.040 102.6 mm | 2.650 67.3 mm | 2.358 59.9 mm | 2.760 70.1 mm | 2.125 54.0 mm | G 1 1/4-11 BSPP | G 1 1/4-11 BSPP | 4,000 PSI 275 BAR | 0.984 25.0 mm |
| SS 24 FBSPP 24 X FBSPP 24 | 4.640 117.9 mm | 3.250 82.5 mm | 2.548 64.7 mm | 2.950 74.9 mm | 2.375 60.3 mm | G 1 1/2-11 BSPP | G 1 1/2-11 BSPP | 4,000 PSI 275 BAR | 1.260 32.0 mm |

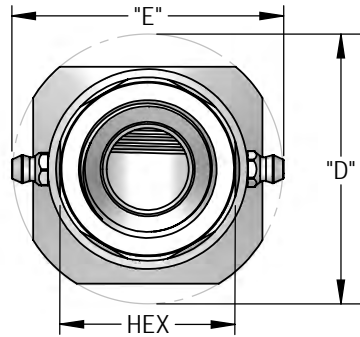
Male BSPP X Female BSPP



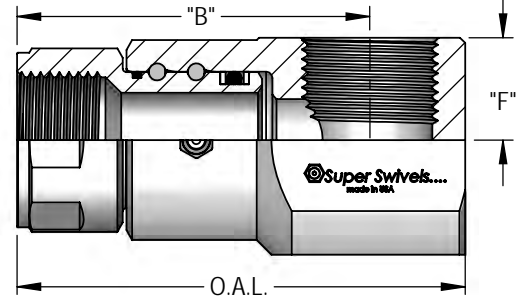
Not Available
In Stainless Steel!

| PART NUMBER (Inches) | O.A.L. | DIM. B | DIM. D Ø | DIM. C | WRENCH HEX | BODY THREAD | STEM THREAD | MAX. PRES. | THROUGH HOLE |
|------------------------------|-------------------|------------------|------------------|------------------|------------------|-----------------|-----------------|----------------------|------------------|
| SS 4 MBSPP 4 X FBSPP 4 | 2.665 67.7 mm | 1.720 43.7 mm | 0.992 25.2 mm | 1.122 28.4 mm | 0.812 20.6 mm | G 1/4-19 BSPP | G 1/4-19 BSPP | 5,000 PSI 345 BAR | 0.250 6.3 mm |
| SS 6 MBSPP 6 X FBSPP 6 | 2.728 69.3 mm | 1.780 45.2 mm | 1.302 33.1 mm | 1.702 43.2 mm | 0.937 23.8 mm | G 3/8-19 BSPP | G 3/8-19 BSPP | 5,000 PSI 345 BAR | 0.312 7.9 mm |
| SS 8 DB MBSPP 8 X FBSPP 8 | 3.102 78.8 mm | 2.080 52.8 mm | 1.480 37.6 mm | 1.880 47.7 mm | 1.125 28.6 mm | G 1/2-14 BSPP | G 1/2-14 BSPP | 5,000 PSI 345 BAR | 0.406 10.3 mm |
| SS 12 DB MBSPP 12 X FBSPP 12 | 3.302 83.9 mm | 2.100 53.3 mm | 1.675 42.5 mm | 2.070 52.5 mm | 1.312 33.3 mm | G 3/4-14 BSPP | G 3/4-14 BSPP | 5,000 PSI 345 BAR | 0.630 16.0 mm |
| SS 16 DB MBSPP 16 X FBSPP 16 | 3.947 100.3 mm | 2.550 64.8 mm | 1.917 48.7 mm | 2.320 58.9 mm | 1.625 41.3 mm | G 1-11 BSPP | G 1-11 BSPP | 4,500 PSI 310 BAR | 0.787 20.0 mm |
| SS 20 MBSPP 20 X FBSPP 20 | 4.265 108.3 mm | 2.650 67.3 mm | 2.358 59.9 mm | 2.760 70.1 mm | 2.000 50.8 mm | G 1 1/4-11 BSPP | G 1 1/4-11 BSPP | 4,000 PSI 275 BAR | 0.984 25.0 mm |
| SS 24 MBSPP 24 X FBSPP 24 | 5.085 129.2 mm | 3.250 82.5 mm | 2.548 64.7 mm | 2.950 74.9 mm | 2.250 57.1 mm | G 1 1/2-11 BSPP | G 1 1/2-11 BSPP | 4,000 PSI 275 BAR | 1.260 32.0 mm |

Female BSPP X Female BSPP

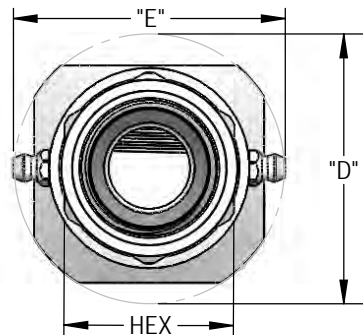


Not Available
In Stainless Steel!

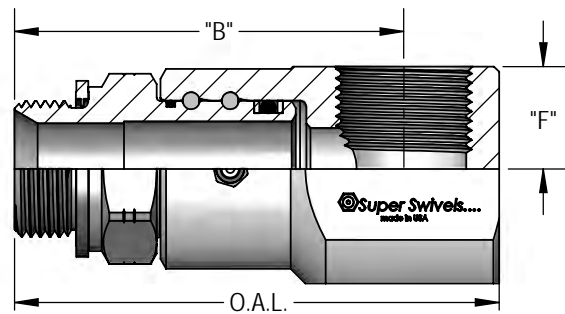


| PART NUMBER | O.A.L. | DIM. B | DIM. D Ø | DIM. E | WRENCH HEX | PORT T1 | STEM T2 | DIM. F | MAX. PRES. | THROUGH HOLE |
|--------------------------------|-------------------|-------------------|------------------|------------------|------------------|-----------------|-----------------|------------------|----------------------|------------------|
| 9 SS 4 FBSPP 4 X FBSPP 4 | 2.715 69.0 mm | 2.255 57.3 mm | 1.318 33.5 mm | 1.858 47.2 mm | 0.875 22.2 mm | G 1/4-19 BSPP | G 1/4-19 BSPP | 0.519 13.2 mm | 5,000 PSI 345 BAR | 0.250 6.3 mm |
| 9 SS 6 FBSPP 6 X FBSPP 6 | 2.883 73.2 mm | 2.313 58.8 mm | 1.450 36.8 mm | 1.992 50.6 mm | 1.187 30.1 mm | G 3/8-19 BSPP | G 3/8-19 BSPP | 0.552 14.0 mm | 5,000 PSI 345 BAR | 0.312 7.9 mm |
| 9 SS 8 DB FBSPP 8 X FBSPP 8 | 3.317 84.3 mm | 2.686 68.2 mm | 1.724 43.8 mm | 2.170 55.1 mm | 1.312 33.3 mm | G 1/2-14 BSPP | G 1/2-14 BSPP | 0.653 16.6 mm | 5,000 PSI 345 BAR | 0.406 10.3 mm |
| 9 SS 12 DB FBSPP 12 X FBSPP 12 | 3.722 94.5 mm | 2.942 74.7 mm | 2.184 55.5 mm | 2.370 60.2 mm | 1.500 38.1 mm | G 3/4-14 BSPP | G 3/4-14 BSPP | 0.849 21.6 mm | 5,000 PSI 345 BAR | 0.630 16.0 mm |
| 9 SS 16 DB FBSPP 16 X FBSPP 16 | 4.428 112.5 mm | 3.513 89.2 mm | 2.588 65.7 mm | 2.610 66.3 mm | 1.750 44.4 mm | G 1-11 BSPP | G 1-11 BSPP | 0.982 24.9 mm | 4,500 PSI 310 BAR | 0.787 20.0 mm |
| 9 SS 20 FBSPP 20 X FBSPP 20 | 4.890 124.2 mm | 3.790 96.3 mm | 3.088 78.4 mm | 3.050 77.5 mm | 2.125 54.0 mm | G 1 1/4-11 BSPP | G 1 1/4-11 BSPP | 1.149 29.2 mm | 4,000 PSI 275 BAR | 0.984 25.0 mm |
| 9 SS 24 FBSPP 24 X FBSPP 24 | 5.940 150.9 mm | 4.670 118.6 mm | 3.576 90.8 mm | 3.240 82.3 mm | 2.375 60.3 mm | G 1 1/2-11 BSPP | G 1 1/2-11 BSPP | 1.366 34.7 mm | 4,000 PSI 275 BAR | 1.260 32.0 mm |

Male BSPP X Female BSPP



Not Available
In Stainless Steel!

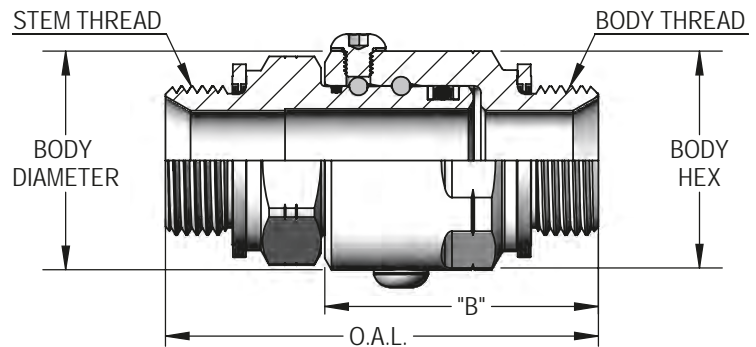
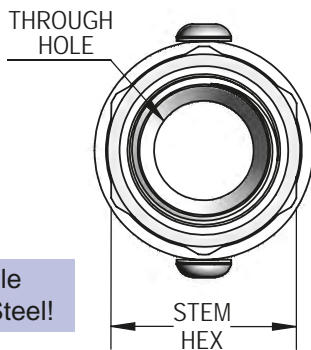


| PART NUMBER | O.A.L. | DIM. B | DIM. D Ø | DIM. E | WRENCH HEX | PORT T1 | STEM T2 | DIM. F | MAX. PRES. | THROUGH HOLE |
|--------------------------------|-------------------|-------------------|------------------|------------------|------------------|-----------------|-----------------|------------------|----------------------|------------------|
| 9 SS 4 MBSPP 4 X FBSPP 4 | 2.810 71.4 mm | 2.350 59.7 mm | 1.318 33.5 mm | 1.858 47.2 mm | 0.812 20.6 mm | G 1/4-19 BSPP | G 1/4-19 BSPP | 0.519 13.2 mm | 5,000 PSI 345 BAR | 0.250 6.3 mm |
| 9 SS 6 MBSPP 6 X FBSPP 6 | 2.947 74.9 mm | 2.367 60.1 mm | 1.450 36.8 mm | 1.992 50.6 mm | 0.937 23.8 mm | G 3/8-19 BSPP | G 3/8-19 BSPP | 0.552 14.0 mm | 5,000 PSI 345 BAR | 0.312 7.9 mm |
| 9 SS 8 DB MBSPP 8 X FBSPP 8 | 3.412 86.7 mm | 2.781 70.6 mm | 1.724 43.8 mm | 2.170 55.1 mm | 1.125 28.6 mm | G 1/2-14 BSPP | G 1/2-14 BSPP | 0.653 16.6 mm | 5,000 PSI 345 BAR | 0.406 10.3 mm |
| 9 SS 12 DB MBSPP 12 X FBSPP 12 | 3.922 99.6 mm | 3.142 79.8 mm | 2.184 55.5 mm | 2.370 60.2 mm | 1.312 33.3 mm | G 3/4-14 BSPP | G 3/4-14 BSPP | 0.849 21.6 mm | 5,000 PSI 345 BAR | 0.630 16.0 mm |
| 9 SS 16 DB MBSPP 16 X FBSPP 16 | 4.648 118.1 mm | 3.733 94.8 mm | 2.588 65.7 mm | 2.610 66.3 mm | 1.625 41.3 mm | G 1-11 BSPP | G 1-11 BSPP | 0.982 24.9 mm | 4,500 PSI 310 BAR | 0.787 20.0 mm |
| 9 SS 20 MBSPP 20 X FBSPP 20 | 5.115 129.9 mm | 4.015 102.0 mm | 3.088 78.4 mm | 3.050 77.5 mm | 2.000 50.8 mm | G 1 1/4-11 BSPP | G 1 1/4-11 BSPP | 1.149 29.2 mm | 4,000 PSI 275 BAR | 0.984 25.0 mm |
| 9 SS 24 MBSPP 24 X FBSPP 24 | 6.385 162.2 mm | 5.115 129.9 mm | 3.576 90.8 mm | 3.240 82.3 mm | 2.250 57.1 mm | G 1 1/2-11 BSPP | G 1 1/2-11 BSPP | 1.366 34.7 mm | 4,000 PSI 275 BAR | 1.260 32.0 mm |

Male BSPP X Male BSPP



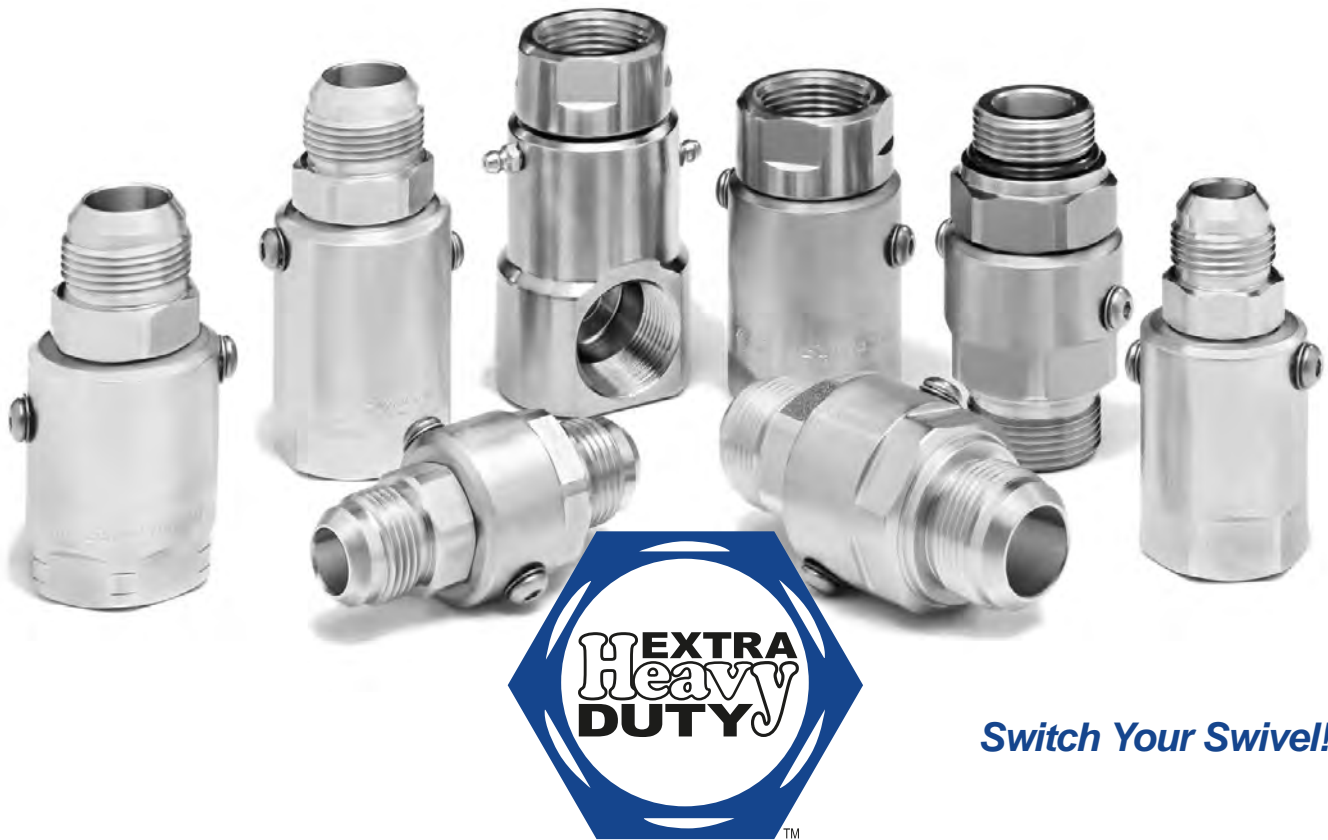
Also Available in MPxMP
Now In NPTF
See Page 13



Not Available
In Stainless Steel!

| PART NUMBER | O.A.L. | DIM. B | STEM THREAD | Body THREAD | STEM HEX | BODY DIA. | BODY HEX | MAX. PRES. | THROUGH HOLE |
|------------------------------|-------------------|------------------|-----------------|-----------------|------------------|------------------|------------------|----------------------|------------------|
| SS 4 MBSPP 4 X MBSPP 4 | 2.600 66 mm | 1.650 41.9 mm | G 1/4-19 BSPP | G 1/4-19 BSPP | 0.812 20.6 mm | HEX | 1.000 25.4 mm | 5,000 PSI 345 BAR | 0.250 6.4 mm |
| SS 6 MBSPP 6 X MBSPP 6 | 2.670 67.8 mm | 1.720 43.7 mm | G 3/8-19 BSPP | G 3/8-19 BSPP | 1.062 27 mm | 1.290 32.8 mm | 1.187 30.1 mm | 5,000 PSI 345 BAR | 0.313 8 mm |
| SS 8 DB MBSPP 8 X MBSPP 8 | 3.060 77.7 mm | 2.035 51.7 mm | G 1/2-14 BSPP | G 1/2-14 BSPP | 1.125 28.6 mm | 1.480 37.6 mm | 1.375 34.9 mm | 5,000 PSI 345 BAR | 0.437 11.1 mm |
| SS 12 DB MBSPP 12 X MBSPP 12 | 3.270 83 mm | 2.070 52.6 mm | G 3/4-14 BSPP | G 3/4-14 BSPP | 1.312 33.3 mm | 1.675 42.5 mm | 1.562 39.7 mm | 5,000 PSI 345 BAR | 0.657 16.7 mm |
| SS 16 DB MBSPP 16 X MBSPP 16 | 3.800 96.5 mm | 2.400 61 mm | G 1-11 BSPP | G 1-11 BSPP | 1.625 41.3 mm | 1.917 48.7 mm | 1.812 46 mm | 4,500 PSI 310 BAR | 0.875 22.2 mm |
| SS 20 MBSPP 20 X MBSPP 20 | 4.190 106.4 mm | 2.580 65.5 mm | G 1 1/4-11 BSPP | G 1 1/4-11 BSPP | 2.000 50.8 mm | 2.357 59.9 mm | 2.187 55.5 mm | 4,000 PSI 275 BAR | 1.125 28.6 mm |
| SS 24 MBSPP 24 X MBSPP 24 | 4.930 125.2 mm | 3.130 79.5 mm | G 1 1/2-11 BSPP | G 1 1/2-11 BSPP | 2.250 57.2 mm | 2.557 64.9 mm | 2.375 60.3 mm | 4,000 PSI 275 BAR | 1.312 33.3 mm |

Extra Heavy Duty Inline & 90° Swivels



Switch Your Swivel!®

For extreme duty applications **Extra Heavy Duty** swivels offer a multiple bearing race design for superior side load strength and added load bearing support.

The inner and outer race for the ball bearings is integrally designed and machined within tight tolerances into the hardened metal of the male stem and female body, providing a rigid track for the balls to roll freely, yet securely.

Extra Heavy Duty superior design, construction and seals allow for higher maximum pressure ratings than others, even in 90° configuration. Sizes range from 1/4" through 1 1/2" body thread with multiple fittings and seal configurations including Inline and 90° Swivels.

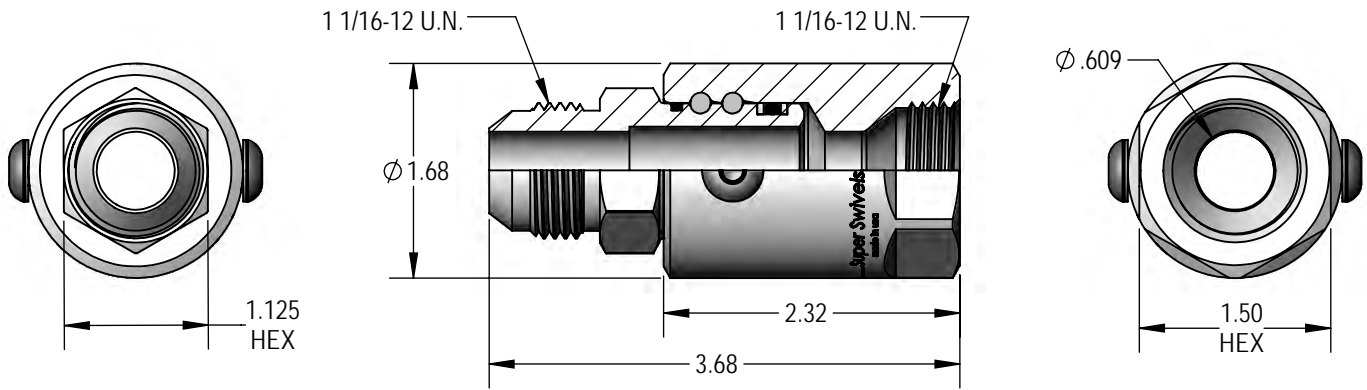
www.SuperSwivels.com

Email: sales@superswivels.com

763-784-5531

Fax: 763-784-7423

12 Male J.I.C. (37°) X Female J.I.C. (37°)



PART NUMBER
SS 12 DB MJ 12 X FJ 12

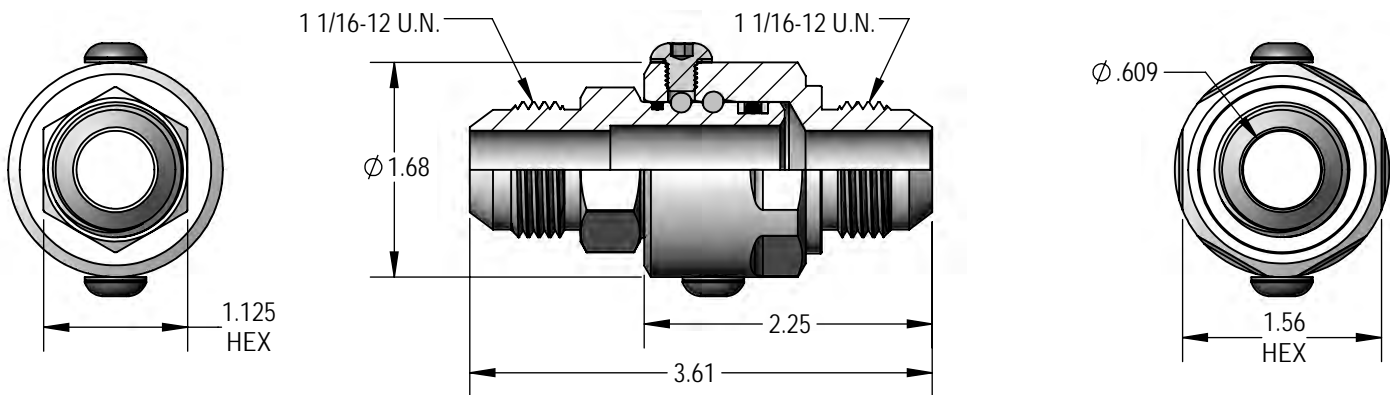
MAXIMUM P.S.I.G.
5,000

Not Available
In Stainless Steel!

*Extra Heavy Duty
Multiple Bearing Race*



12 Male J.I.C. (37°) X Male J.I.C. (37°)

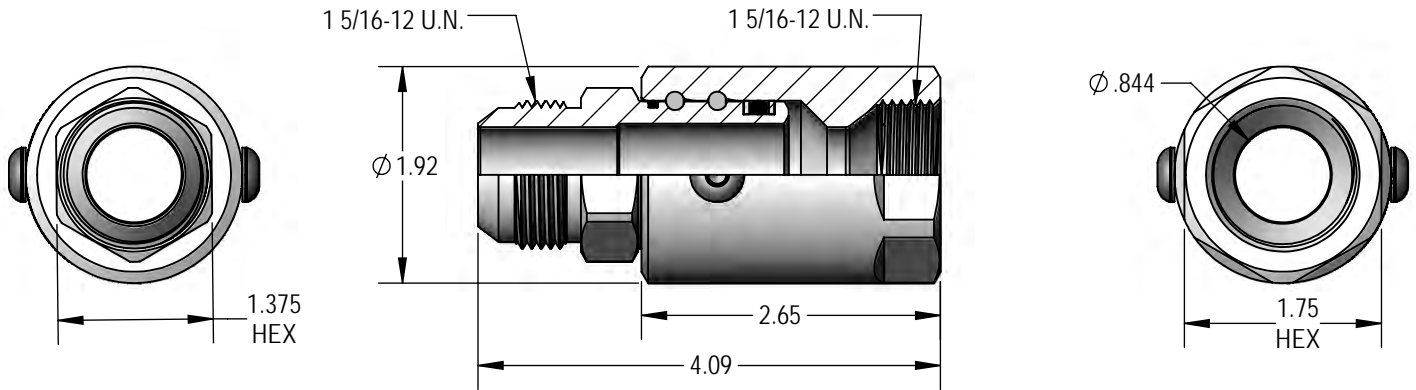


PART NUMBER
SS 12 DB MJ 12 X MJ 12

MAXIMUM P.S.I.G.
5,000

Not Available
In Stainless Steel!

16 Male J.I.C. (37°) X Female J.I.C. (37°)



PART NUMBER
SS 16 DB MJ 16 X FJ 16

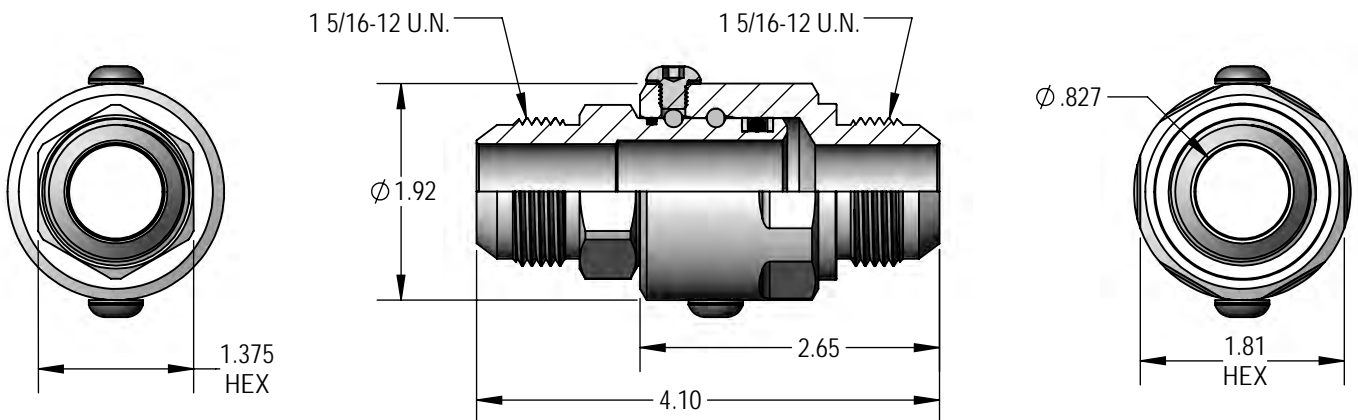
MAXIMUM P.S.I.G.
4,500

Not Available
In Stainless Steel!

*Extra Heavy Duty
Multiple Bearing Race*



16 Male J.I.C. (37°) X Male J.I.C. (37°)

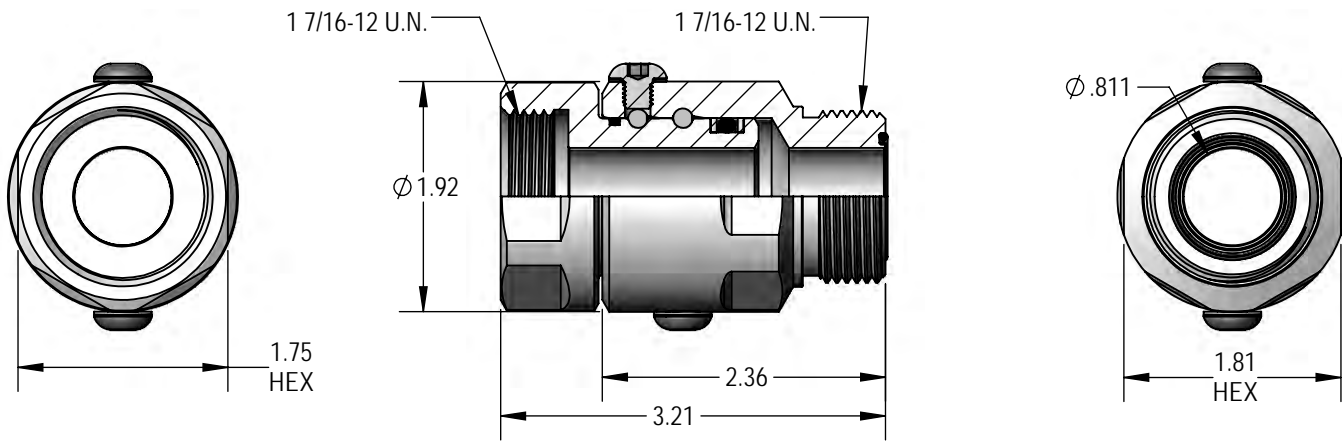


PART NUMBER
SS 16 DB MJ 16 X MJ 16

MAXIMUM P.S.I.G.
4,500

Not Available
In Stainless Steel!

16 Female Face Seal (F.F.S.) X Male Face Seal (M.F.S.)



PART NUMBER
SS 16 DB FFS 16 X MFS 16

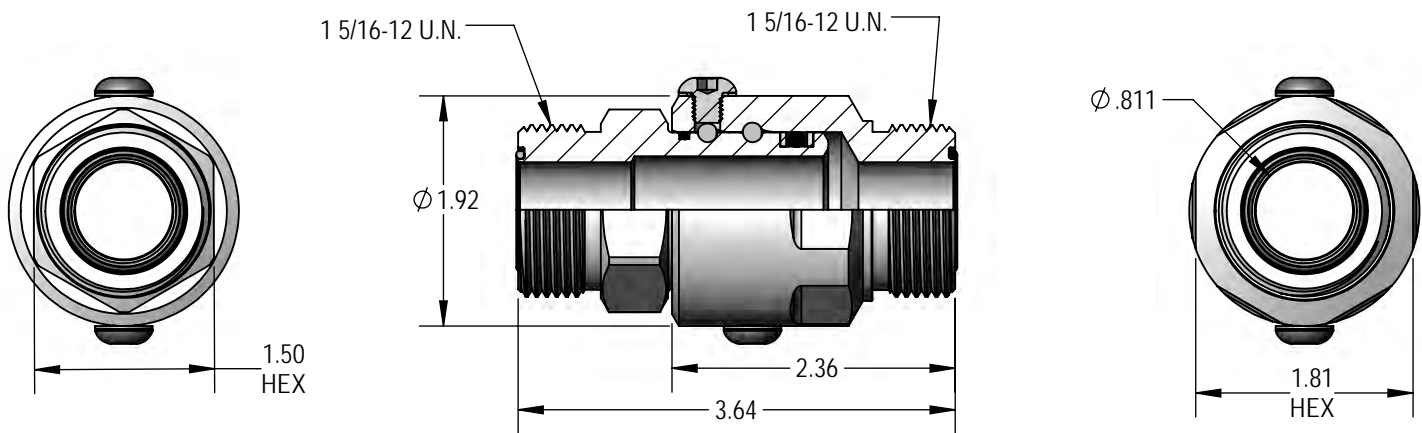
MAXIMUM P.S.I.G.
4,500

Not Available
In Stainless Steel!

*Extra Heavy Duty
Multiple Bearing Race*



16 Male Face Seal (M.F.S.) X Male Face Seal (M.F.S.)

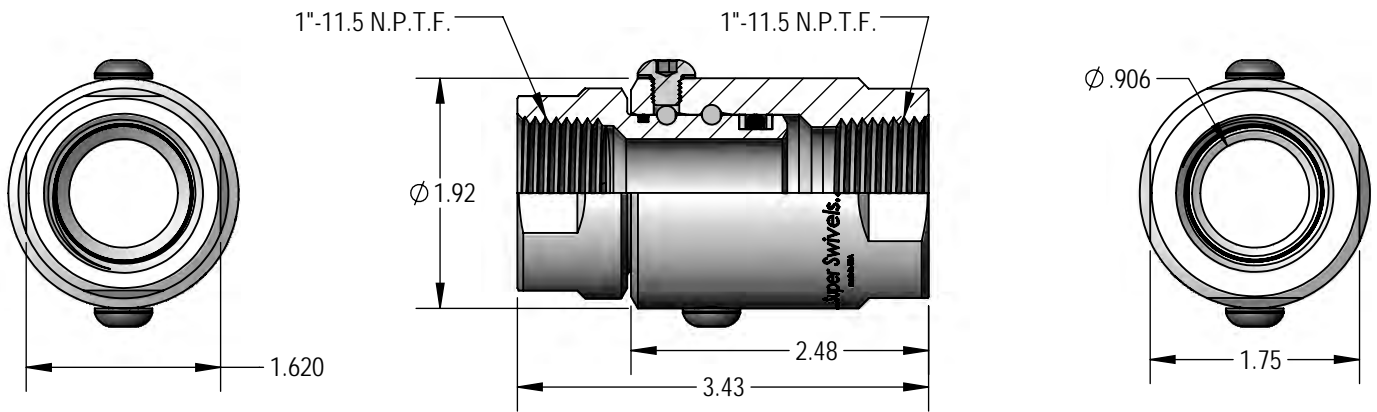


PART NUMBER
SS 16 DB MFS 16 X MFS 16

MAXIMUM P.S.I.G.
4,500

Not Available
In Stainless Steel!

16 Female Pipe (N.P.T.F) X Female Pipe (N.P.T.F)



PART NUMBER
SS 16 DB FP 100 X FP 100

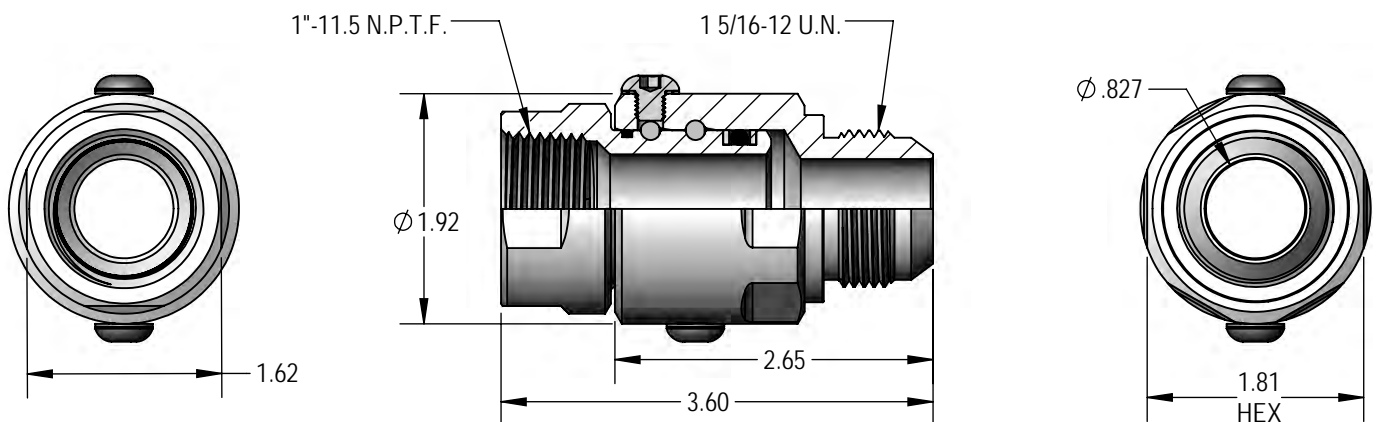
MAXIMUM P.S.I.G.
4,500

Not Available
In Stainless Steel!

*Extra Heavy Duty
Multiple Bearing Race*



16 Female Pipe (N.P.T.F) X Male J.I.C. (37°)

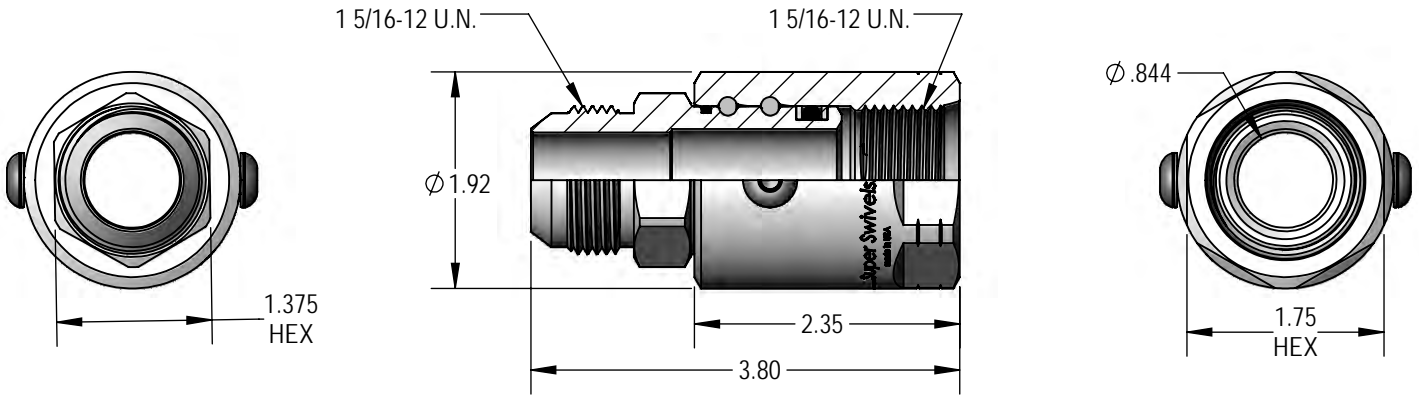


PART NUMBER
SS 16 DB FP 100 X MJ 16

MAXIMUM P.S.I.G.
4,500

Not Available
In Stainless Steel!

16 Male J.I.C. (37°) X Female O-Ring (O.R.B.)



PART NUMBER
SS 16 DB MJ 16 X FO 16

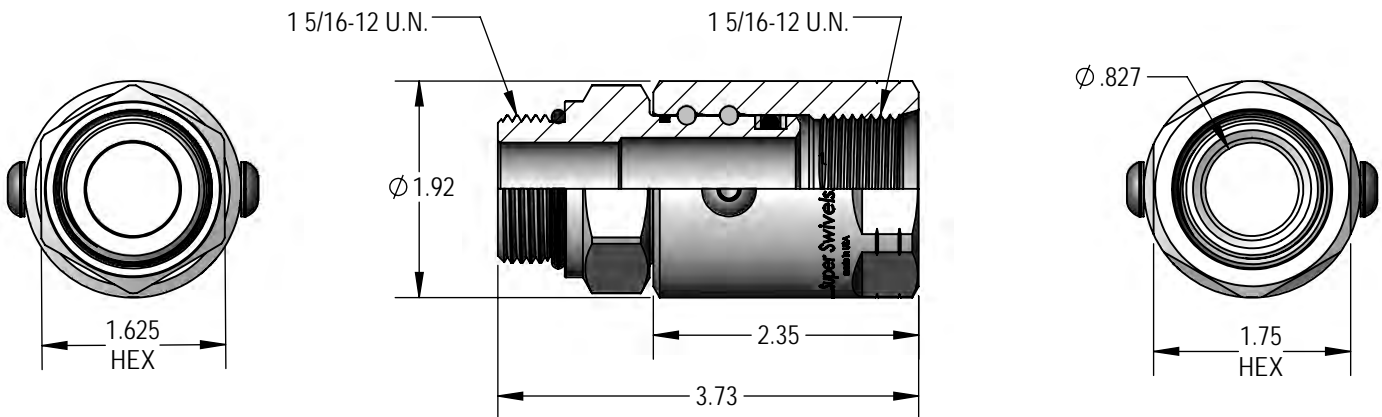
MAXIMUM P.S.I.G.
4,500

Not Available
In Stainless Steel!

*Extra Heavy Duty
Multiple Bearing Race*



16 Male O-Ring (O.R.B.) X Female O-Ring (O.R.B.)

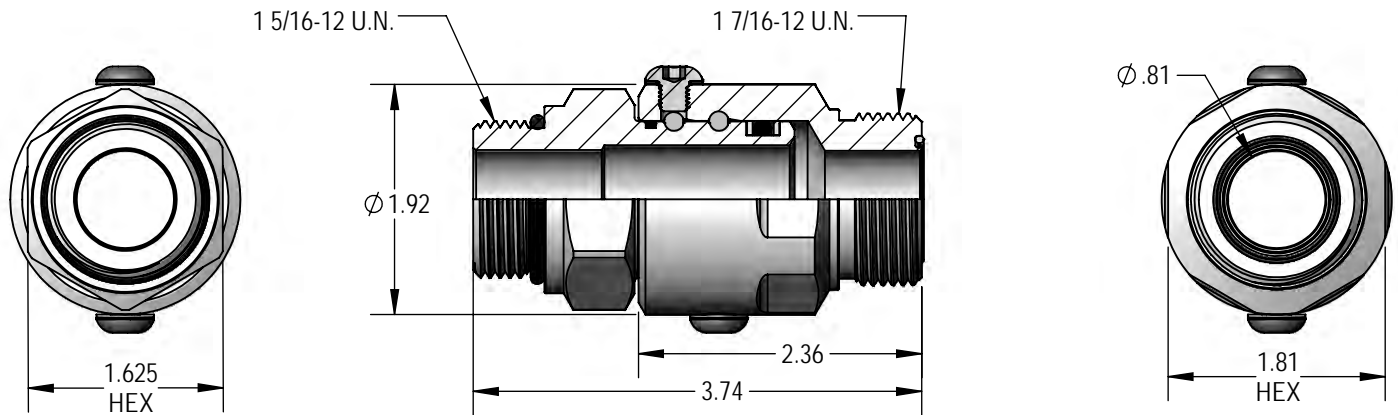


PART NUMBER
SS 16 DB MO 16 X FO 16

MAXIMUM P.S.I.G.
4,500

Not Available
In Stainless Steel!

16 Male O-Ring (O.R.B.) X Male Face Seal (M.F.S.)



PART NUMBER
SS 16 DB MO 16 X MFS 16

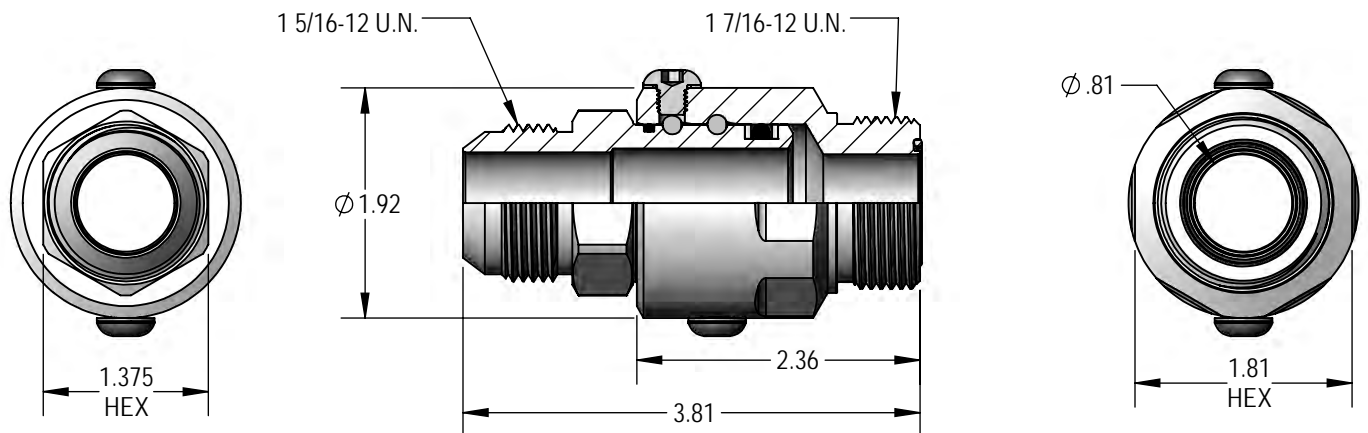
MAXIMUM P.S.I.G.
4,500

Not Available
In Stainless Steel!

*Extra Heavy Duty
Multiple Bearing Race*



16 Male J.I.C. (37°) X Male Face Seal (M.F.S.)

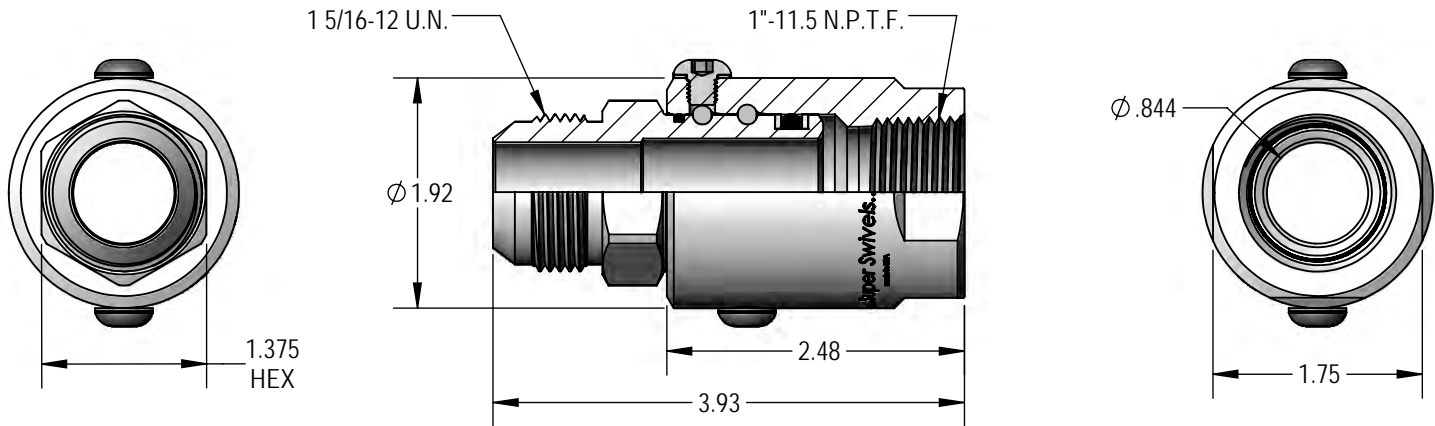


PART NUMBER
SS 16 DB MJ 16 X MFS 16

MAXIMUM P.S.I.G.
4,500

Not Available
In Stainless Steel!

16 Male J.I.C. (37°) X Female Pipe (N.P.T.F.)



PART NUMBER
SS 16 DB MJ 16 X FP 100

MAXIMUM P.S.I.G.
4,500

Not Available
In Stainless Steel!

*Extra Heavy Duty
Multiple Bearing Race*

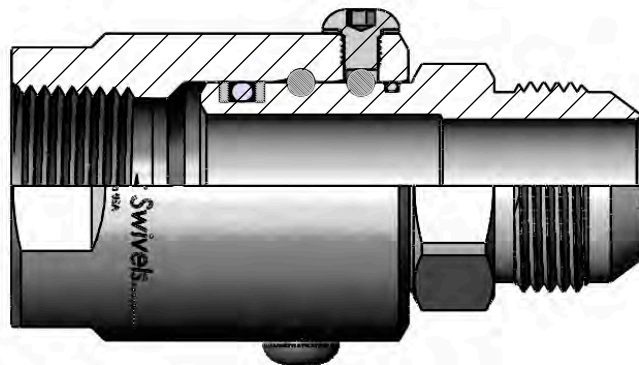


For extreme duty applications **Extra Heavy Duty** swivels offer a multiple bearing race design for superior side load strength and added load bearing support.

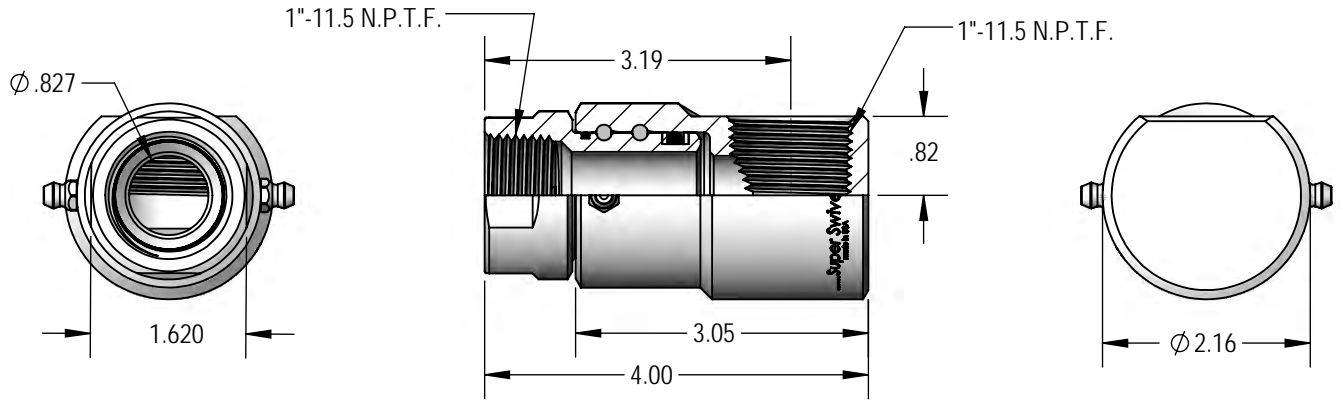
The inner and outer race for the ball bearings is integrally designed and machined within tight tolerances into the hardened metal of the male stem and female body, providing a rigid track for the balls to roll freely, yet securely.

Extra Heavy Duty superior design, construction and seals allows for higher maximum pressure ratings than others, even in 90° configuration.

Multiple Bearing Race



16 Female Pipe (N.P.T.F.) X Female Pipe (N.P.T.F.)



PART NUMBER
9 SS 16 DB FP 100 X FP 100

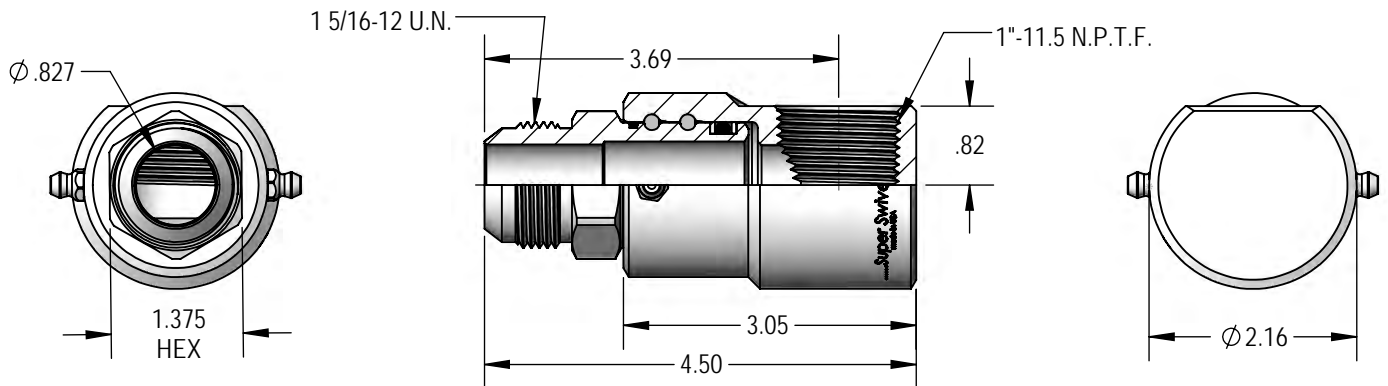
MAXIMUM P.S.I.G.
4,500

Not Available
In Stainless Steel!

*Extra Heavy Duty
Multiple Bearing Race*



16 Male J.I.C. (37°) X Female Pipe (N.P.T.F.)



PART NUMBER
9 SS 16 DB MJ 16 X FP 100

MAXIMUM P.S.I.G.
4,500

Not Available
In Stainless Steel!

ITEM # - DESCRIPTION

This Item Number Cross Reference

is sorted by:

- Page Number
 - then Item Number/Size.
- Visit our website to download this list, or sorted by- Description, or by- Item #.

[Inline Male Pipe \(N.P.T.F.\)](#) **PAGE 13**
[X Male Pipe \(N.P.T.F.\)](#)

- 2700 - SS4MP25XMP25-Z-V
- 2701 - SS4MP25XMP25-Z-AL
- 2702 - SS4MP25XMP25-Z-ETP
- 2703 - SS4MP25XMP25-NI-V
- 2704 - SS4MP25XMP25-NI-AL
- 2705 - SS4MP25XMP25-NI-ETP

- 2780 - SS4MP38XMP38-Z-V
- 2781 - SS4MP38XMP38-Z-AL
- 2782 - SS4MP38XMP38-Z-ETP
- 2783 - SS4MP38XMP38-NI-V
- 2784 - SS4MP38XMP38-NI-AL
- 2785 - SS4MP38XMP38-NI-ETP

[Inline Female Pipe \(N.P.T.F.\)](#) **PAGE 14**
[X Female Pipe \(N.P.T.F.\)](#)

- 1090 - SS2FP12.5XFP12.5-Z-V
- 1091 - SS2FP12.5XFP12.5-Z-AL
- 1092 - N/A
- 1093 - SS2FP12.5XFP12.5-NI-V
- 1094 - SS2FP12.5XFP12.5-NI-AL
- 1095 - N/A

- 1000 - SS4FP25XFP25-Z-V
- 1001 - SS4FP25XFP25-Z-AL
- 1002 - SS4FP25XFP25-Z-ETP
- 1003 - SS4FP25XFP25-NI-V
- 1004 - SS4FP25XFP25-NI-AL
- 1005 - SS4FP25XFP25-NI-ETP
- 1006 - SS4FP25XFP25-440-AL
- 1007 - SS4FP25XFP25-440-ETP

- 1010 - SS8FP38XFP38-Z-V
- 1011 - SS8FP38XFP38-Z-AL
- 1012 - SS8FP38XFP38-Z-ETP
- 1013 - SS8FP38XFP38-NI-V
- 1014 - SS8FP38XFP38-NI-AL
- 1015 - SS8FP38XFP38-NI-ETP
- 1016 - SS8FP38XFP38-440-AL
- 1017 - SS8FP38XFP38-440-ETP

- 1020 - SS8FP50XFP50-Z-V
- 1021 - SS8FP50XFP50-Z-AL
- 1022 - SS8FP50XFP50-Z-ETP
- 1023 - SS8FP50XFP50-NI-V
- 1024 - SS8FP50XFP50-NI-AL
- 1025 - SS8FP50XFP50-NI-ETP
- 1026 - SS8FP50XFP50-440-AL
- 1027 - SS8FP50XFP50-440-ETP

- 1030 - SS12FP75XFP75-Z-V
- 1031 - SS12FP75XFP75-Z-AL
- 1032 - SS12FP75XFP75-Z-ETP
- 1033 - SS12FP75XFP75-NI-V
- 1034 - SS12FP75XFP75-NI-AL
- 1035 - SS12FP75XFP75-NI-ETP
- 1036 - SS12FP75XFP75-440-AL
- 1037 - SS12FP75XFP75-440-ETP

- 1040 - SS16FP100XFP100-Z-V
- 1041 - SS16FP100XFP100-Z-AL
- 1042 - SS16FP100XFP100-Z-ETP
- 1043 - SS16FP100XFP100-NI-V
- 1044 - SS16FP100XFP100-NI-AL
- 1045 - SS16FP100XFP100-NI-ETP
- 1046 - SS16FP100XFP100-440-AL
- 1047 - SS16FP100XFP100-440-ETP

ITEM # - DESCRIPTION

- 1050 - SS20FP125XFP125-Z-V
- 1051 - SS20FP125XFP125-Z-AL
- 1052 - SS20FP125XFP125-Z-ETP
- 1053 - SS20FP125XFP125-NI-V
- 1054 - SS20FP125XFP125-NI-AL
- 1055 - SS20FP125XFP125-NI-ETP
- 1056 - SS20FP125XFP125-440-AL
- 1057 - SS20FP125XFP125-440-ETP

- 1063 - SS24FP150XFP150-NI-V
- 1064 - SS24FP150XFP150-NI-AL
- 1065 - SS24FP150XFP150-NI-ETP
- 1066 - SS24FP150XFP150-440-AL
- 1067 - SS24FP150XFP150-440-ETP

- 1073 - SS32FP200XFP200-NI-V
- 1074 - SS32FP200XFP200-NI-AL
- 1075 - SS32FP200XFP200-NI-ETP
- 1076 - SS32FP200XFP200-440-AL
- 1077 - SS32FP200XFP200-440-ETP

- 1083 - SS40FP250XFP250-NI-V
- 1084 - SS40FP250XFP250-NI-AL
- 1085 - SS40FP250XFP250-NI-ETP

[Inline Male Pipe \(N.P.T.F.\)](#) **PAGE 14**
[X Female Pipe \(N.P.T.F.\)](#)

- 1280 - SS2MP12.5XFP12.5-Z-V
- 1281 - SS2MP12.5XFP12.5-Z-AL
- 1282 - N/A
- 1283 - SS2MP12.5XFP12.5-NI-V
- 1284 - SS2MP12.5XFP12.5-NI-AL
- 1285 - N/A

- 1200 - SS4MP25XFP25-Z-V
- 1201 - SS4MP25XFP25-Z-AL
- 1202 - SS4MP25XFP25-Z-ETP
- 1203 - SS4MP25XFP25-NI-V
- 1204 - SS4MP25XFP25-NI-AL
- 1205 - SS4MP25XFP25-NI-ETP
- 1206 - SS4MP25XFP25-440-AL
- 1207 - SS4MP25XFP25-440-ETP

- 1210 - SS8MP38XFP38-Z-V
- 1211 - SS8MP38XFP38-Z-AL
- 1212 - SS8MP38XFP38-Z-ETP
- 1213 - SS8MP38XFP38-NI-V
- 1214 - SS8MP38XFP38-NI-AL
- 1215 - SS8MP38XFP38-NI-ETP
- 1216 - SS8MP38XFP38-440-AL
- 1217 - SS8MP38XFP38-440-ETP

- 1220 - SS8MP50XFP50-Z-V
- 1221 - SS8MP50XFP50-Z-AL
- 1222 - SS8MP50XFP50-Z-ETP
- 1223 - SS8MP50XFP50-NI-V
- 1224 - SS8MP50XFP50-NI-AL
- 1225 - SS8MP50XFP50-NI-ETP
- 1226 - SS8MP50XFP50-440-AL
- 1227 - SS8MP50XFP50-440-ETP

- 1230 - SS12MP75XFP75-Z-V
- 1231 - SS12MP75XFP75-Z-AL
- 1232 - SS12MP75XFP75-Z-ETP
- 1233 - SS12MP75XFP75-NI-V
- 1234 - SS12MP75XFP75-NI-AL
- 1235 - SS12MP75XFP75-NI-ETP
- 1236 - SS12MP75XFP75-440-AL
- 1237 - SS12MP75XFP75-440-ETP

- 1240 - SS16MP100XFP100-Z-V
- 1241 - SS16MP100XFP100-Z-AL
- 1242 - SS16MP100XFP100-Z-ETP
- 1243 - SS16MP100XFP100-NI-V
- 1244 - SS16MP100XFP100-NI-AL
- 1245 - SS16MP100XFP100-NI-ETP
- 1246 - SS16MP100XFP100-440-AL
- 1247 - SS16MP100XFP100-440-ETP

- 1250 - SS20MP125XFP125-Z-V
- 1251 - SS20MP125XFP125-Z-AL
- 1252 - SS20MP125XFP125-Z-ETP
- 1253 - SS20MP125XFP125-NI-V
- 1254 - SS20MP125XFP125-NI-AL
- 1255 - SS20MP125XFP125-NI-ETP
- 1256 - SS20MP125XFP125-440-AL
- 1257 - SS20MP125XFP125-440-ETP

ITEM # - DESCRIPTION

- 1263 - SS24MP150XFP150-NI-V
- 1264 - SS24MP150XFP150-NI-AL
- 1265 - SS24MP150XFP150-NI-ETP
- 1266 - SS24MP150XFP150-440-AL
- 1267 - SS24MP150XFP150-440-ETP

- 1273 - SS32MP200XFP200-NI-V
- 1274 - SS32MP200XFP200-NI-AL
- 1275 - SS32MP200XFP200-NI-ETP
- 1276 - SS32MP200XFP200-440-AL
- 1277 - SS32MP200XFP200-440-ETP

[Inline Male \(J.I.C.\)](#) **PAGE 15**
[X Female Pipe \(N.P.T.F.\)](#)

- 1100 - SS4MJ6XFP25-Z-V
- 1101 - SS4MJ6XFP25-Z-AL
- 1102 - SS4MJ6XFP25-Z-ETP
- 1103 - SS4MJ6XFP25-NI-V
- 1104 - SS4MJ6XFP25-NI-AL
- 1105 - SS4MJ6XFP25-NI-ETP

- 1110 - SS8MJ8XFP38-Z-V
- 1111 - SS8MJ8XFP38-Z-AL
- 1112 - SS8MJ8XFP38-Z-ETP
- 1113 - SS8MJ8XFP38-NI-V
- 1114 - SS8MJ8XFP38-NI-AL
- 1115 - SS8MJ8XFP38-NI-ETP

- 1120 - SS8MJ8XFP50-Z-V
- 1121 - SS8MJ8XFP50-Z-AL
- 1122 - SS8MJ8XFP50-Z-ETP
- 1123 - SS8MJ8XFP50-NI-V
- 1124 - SS8MJ8XFP50-NI-AL
- 1125 - SS8MJ8XFP50-NI-ETP

- 1130 - SS8MJ10XFP50-Z-V
- 1131 - SS8MJ10XFP50-Z-AL
- 1132 - SS8MJ10XFP50-Z-ETP
- 1133 - SS8MJ10XFP50-NI-V
- 1134 - SS8MJ10XFP50-NI-AL
- 1135 - SS8MJ10XFP50-NI-ETP

- 1140 - SS12MJ12XFP75-Z-V
- 1141 - SS12MJ12XFP75-Z-AL
- 1142 - SS12MJ12XFP75-Z-ETP
- 1143 - SS12MJ12XFP75-NI-V
- 1144 - SS12MJ12XFP75-NI-AL
- 1145 - SS12MJ12XFP75-NI-ETP

- 1150 - SS16MJ16XFP100-Z-V
- 1151 - SS16MJ16XFP100-Z-AL
- 1152 - SS16MJ16XFP100-Z-ETP
- 1153 - SS16MJ16XFP100-NI-V
- 1154 - SS16MJ16XFP100-NI-AL
- 1155 - SS16MJ16XFP100-NI-ETP

- 1160 - SS20MJ20XFP125-Z-V
- 1161 - SS20MJ20XFP125-Z-AL
- 1162 - SS20MJ20XFP125-Z-ETP
- 1163 - SS20MJ20XFP125-NI-V
- 1164 - SS20MJ20XFP125-NI-AL
- 1165 - SS20MJ20XFP125-NI-ETP

- 1173 - SS24MJ24XFP150-NI-V
- 1174 - SS24MJ24XFP150-NI-AL
- 1175 - SS24MJ24XFP150-NI-ETP

[Inline Male \(J.I.C.\)](#) **PAGE 15**
[X Female \(J.I.C.\)](#)

- 1370 - SS4MJ4XFJ4-Z-V
- 1371 - SS4MJ4XFJ4-Z-AL
- 1372 - SS4MJ4XFJ4-Z-ETP
- 1373 - SS4MJ4XFJ4-NI-V
- 1374 - SS4MJ4XFJ4-NI-AL
- 1375 - SS4MJ4XFJ4-NI-ETP

- 1380 - SS4MJ5XFJ5-Z-V
- 1381 - SS4MJ5XFJ5-Z-AL
- 1382 - SS4MJ5XFJ5-Z-ETP
- 1383 - SS4MJ5XFJ5-NI-V
- 1384 - SS4MJ5XFJ5-NI-AL
- 1385 - SS4MJ5XFJ5-NI-ETP

- 1300 - SS4MJ6XFJ6-Z-V
- 1301 - SS4MJ6XFJ6-Z-AL
- 1302 - SS4MJ6XFJ6-Z-ETP

ITEM # - DESCRIPTION

- 1303 - SS4MJ6XFJ6-NI-V
- 1304 - SS4MJ6XFJ6-NI-AL
- 1305 - SS4MJ6XFJ6-NI-ETP

- 1310 - SS8MJ8XFJ8-Z-V
- 1311 - SS8MJ8XFJ8-Z-AL
- 1312 - SS8MJ8XFJ8-Z-ETP
- 1313 - SS8MJ8XFJ8-NI-V
- 1314 - SS8MJ8XFJ8-NI-AL
- 1315 - SS8MJ8XFJ8-NI-ETP

- 1320 - SS8MJ10XFJ10-Z-V
- 1321 - SS8MJ10XFJ10-Z-AL
- 1322 - SS8MJ10XFJ10-Z-ETP
- 1323 - SS8MJ10XFJ10-NI-V
- 1324 - SS8MJ10XFJ10-NI-AL
- 1325 - SS8MJ10XFJ10-NI-ETP

- 1330 - SS12MJ12XFJ12-Z-V
- 1331 - SS12MJ12XFJ12-Z-AL
- 1332 - SS12MJ12XFJ12-Z-ETP
- 1333 - SS12MJ12XFJ12-NI-V
- 1334 - SS12MJ12XFJ12-NI-AL
- 1335 - SS12MJ12XFJ12-NI-ETP

- 1340 - SS16MJ16XFJ16-Z-V
- 1341 - SS16MJ16XFJ16-Z-AL
- 1342 - SS16MJ16XFJ16-Z-ETP
- 1343 - SS16MJ16XFJ16-NI-V
- 1344 - SS16MJ16XFJ16-NI-AL
- 1345 - SS16MJ16XFJ16-NI-ETP

- 1350 - SS20MJ20XFJ20-Z-V
- 1351 - SS20MJ20XFJ20-Z-AL
- 1352 - SS20MJ20XFJ20-Z-ETP
- 1353 - SS20MJ20XFJ20-NI-V
- 1354 - SS20MJ20XFJ20-NI-AL
- 1355 - SS20MJ20XFJ20-NI-ETP

- 1363 - SS24MJ24XFJ24-NI-V
- 1364 - SS24MJ24XFJ24-NI-AL
- 1365 - SS24MJ24XFJ24-NI-ETP

[Inline Male \(O.R.B.\)](#) **PAGE 16**
[X Female Pipe \(N.P.T.F.\)](#)

- 1400 - SS4MO6XFP25-Z-V
- 1401 - SS4MO6XFP25-Z-AL
- 1402 - SS4MO6XFP25-Z-ETP
- 1403 - SS4MO6XFP25-NI-V
- 1404 - SS4MO6XFP25-NI-AL
- 1405 - SS4MO6XFP25-NI-ETP

- 1410 - SS8MO8XFP38-Z-V
- 1411 - SS8MO8XFP38-Z-AL
- 1412 - SS8MO8XFP38-Z-ETP
- 1413 - SS8MO8XFP38-NI-V
- 1414 - SS8MO8XFP38-NI-AL
- 1415 - SS8MO8XFP38-NI-ETP

- 1420 - SS8MO10XFP38-Z-V
- 1421 - SS8MO10XFP38-Z-AL
- 1422 - SS8MO10XFP38-Z-ETP
- 1423 - SS8MO10XFP38-NI-V
- 1424 - SS8MO10XFP38-NI-AL
- 1425 - SS8MO10XFP38-NI-ETP

- 1430 - SS8MO8XFP50-Z-V
- 1431 - SS8MO8XFP50-Z-AL
- 1432 - SS8MO8XFP50-Z-ETP
- 1433 - SS8MO8XFP50-NI-V
- 1434 - SS8MO8XFP50-NI-AL
- 1435 - SS8MO8XFP50-NI-ETP

- 1440 - SS8MO10XFP50-Z-V
- 1441 - SS8MO10XFP50-Z-AL
- 1442 - SS8MO10XFP50-Z-ETP
- 1443 - SS8MO10XFP50-NI-V
- 1444 - SS8MO10XFP50-NI-AL
- 1445 - SS8MO10XFP50-NI-ETP

- 1450 - SS12MO12XFP75-Z-V
- 1451 - SS12MO12XFP75-Z-AL
- 1452 - SS12MO12XFP75-Z-ETP
- 1453 - SS12MO12XFP75-NI-V
- 1454 - SS12MO12XFP75-NI-AL
- 1455 - SS12MO12XFP75-NI-ETP

ITEM # - DESCRIPTION

1460 - SS16MO16XFP100-Z-V
 1461 - SS16MO16XFP100-Z-AL
 1462 - SS16MO16XFP100-Z-ETP
 1463 - SS16MO16XFP100-Ni-V
 1464 - SS16MO16XFP100-Ni-AL
 1465 - SS16MO16XFP100-Ni-ETP

1470 - SS20MO20XFP125-Z-V
 1471 - SS20MO20XFP125-Z-AL
 1472 - SS20MO20XFP125-Z-ETP
 1473 - SS20MO20XFP125-Ni-V
 1474 - SS20MO20XFP125-Ni-AL
 1475 - SS20MO20XFP125-Ni-ETP

1483 - SS24MO24XFP150-Ni-V
 1484 - SS24MO24XFP150-Ni-AL
 1485 - SS24MO24XFP150-Ni-ETP

Inline Male Bulkhead (J.I.C.)
X Female (J.I.C.)

PAGE 16

1500 - SS4MJB6XFJ6-Z-V
 1501 - SS4MJB6XFJ6-Z-AL
 1502 - SS4MJB6XFJ6-Z-ETP2
 1503 - SS4MJB6XFJ6-Ni-V
 1504 - SS4MJB6XFJ6-Ni-AL
 1505 - SS4MJB6XFJ6-Ni-ETP

1510 - SS8MJB8XFJ8-Z-V
 1511 - SS8MJB8XFJ8-Z-AL
 1512 - SS8MJB8XFJ8-Z-ETP
 1513 - SS8MJB8XFJ8-Ni-V
 1514 - SS8MJB8XFJ8-Ni-AL
 1515 - SS8MJB8XFJ8-Ni-ETP

1520 - SS8MJB10XFJ10-Z-V
 1521 - SS8MJB10XFJ10-Z-AL
 1522 - SS8MJB10XFJ10-Z-ETP
 1523 - SS8MJB10XFJ10-Ni-V
 1524 - SS8MJB10XFJ10-Ni-AL
 1525 - SS8MJB10XFJ10-Ni-ETP

1530 - SS12MJB12XFJ12-Z-V
 1531 - SS12MJB12XFJ12-Z-AL
 1532 - SS12MJB12XFJ12-Z-ETP
 1533 - SS12MJB12XFJ12-Ni-V
 1534 - SS12MJB12XFJ12-Ni-AL
 1535 - SS12MJB12XFJ12-Ni-ETP

1540 - SS16MJB16XFJ16-Z-V
 1541 - SS16MJB16XFJ16-Z-AL
 1542 - SS16MJB16XFJ16-Z-ETP
 1543 - SS16MJB16XFJ16-Ni-V
 1544 - SS16MJB16XFJ16-Ni-AL
 1545 - SS16MJB16XFJ16-Ni-ETP

1550 - SS20MJB20XFJ20-Z-V
 1551 - SS20MJB20XFJ20-Z-AL
 1552 - SS20MJB20XFJ20-Z-ETP
 1553 - SS20MJB20XFJ20-Ni-V
 1554 - SS20MJB20XFJ20-Ni-AL
 1555 - SS20MJB20XFJ20-Ni-ETP

Inline Male Bulkhead (J.I.C.)
X Male (J.I.C.)

PAGE 17

1600 - SS4MJB6XMJ6-Z-V
 1601 - SS4MJB6XMJ6-Z-AL
 1602 - SS4MJB6XMJ6-Z-ETP
 1603 - SS4MJB6XMJ6-Ni-V
 1604 - SS4MJB6XMJ6-Ni-AL
 1605 - SS4MJB6XMJ6-Ni-ETP

1610 - SS8MJB8XMJ8-Z-V
 1611 - SS8MJB8XMJ8-Z-AL
 1612 - SS8MJB8XMJ8-Z-ETP
 1613 - SS8MJB8XMJ8-Ni-V
 1614 - SS8MJB8XMJ8-Ni-AL
 1615 - SS8MJB8XMJ8-Ni-ETP

1620 - SS8MJB10XMJ10-Z-V
 1621 - SS8MJB10XMJ10-Z-AL
 1622 - SS8MJB10XMJ10-Z-ETP
 1623 - SS8MJB10XMJ10-Ni-V
 1624 - SS8MJB10XMJ10-Ni-AL
 1625 - SS8MJB10XMJ10-Ni-ETP

ITEM # - DESCRIPTION

1630 - SS12MJB12XMJ12-Z-V
 1631 - SS12MJB12XMJ12-Z-AL
 1632 - SS12MJB12XMJ12-Z-ETP
 1633 - SS12MJB12XMJ12-Ni-V
 1634 - SS12MJB12XMJ12-Ni-AL
 1635 - SS12MJB12XMJ12-Ni-ETP

1640 - SS16MJB16XMJ16-Z-V
 1641 - SS16MJB16XMJ16-Z-AL
 1642 - SS16MJB16XMJ16-Z-ETP
 1643 - SS16MJB16XMJ16-Ni-V
 1644 - SS16MJB16XMJ16-Ni-AL
 1645 - SS16MJB16XMJ16-Ni-ETP

1650 - SS20MJB20XMJ20-Z-V
 1651 - SS20MJB20XMJ20-Z-AL
 1652 - SS20MJB20XMJ20-Z-ETP
 1653 - SS20MJB20XMJ20-Ni-V
 1654 - SS20MJB20XMJ20-Ni-AL
 1655 - SS20MJB20XMJ20-Ni-ETP

Inline Male (O.R.B.)
X Male (J.I.C.)

PAGE 17

1780 - SS4MO4XMJ4-Z-V
 1781 - SS4MO4XMJ4-Z-AL
 1782 - SS4MO4XMJ4-Z-ETP
 1783 - SS4MO4XMJ4-Ni-V
 1784 - SS4MO4XMJ4-Ni-AL
 1785 - SS4MO4XMJ4-Ni-ETP

1700 - SS4MO6XMJ6-Z-V
 1701 - SS4MO6XMJ6-Z-AL
 1702 - SS4MO6XMJ6-Z-ETP
 1703 - SS4MO6XMJ6-Ni-V
 1704 - SS4MO6XMJ6-Ni-AL
 1705 - SS4MO6XMJ6-Ni-ETP

1710 - SS8MO8XMJ8-Z-V
 1711 - SS8MO8XMJ8-Z-AL
 1712 - SS8MO8XMJ8-Z-ETP
 1713 - SS8MO8XMJ8-Ni-V
 1714 - SS8MO8XMJ8-Ni-AL
 1715 - SS8MO8XMJ8-Ni-ETP

1720 - SS8MO8XMJ10-Z-V
 1721 - SS8MO8XMJ10-Z-AL
 1722 - SS8MO8XMJ10-Z-ETP
 1723 - SS8MO8XMJ10-Ni-V
 1724 - SS8MO8XMJ10-Ni-AL
 1725 - SS8MO8XMJ10-Ni-ETP

1730 - SS8MO10XMJ8-Z-V
 1731 - SS8MO10XMJ8-Z-AL
 1732 - SS8MO10XMJ8-Z-ETP
 1733 - SS8MO10XMJ8-Ni-V
 1734 - SS8MO10XMJ8-Ni-AL
 1735 - SS8MO10XMJ8-Ni-ETP

1740 - SS8MO10XMJ10-Z-V
 1741 - SS8MO10XMJ10-Z-AL
 1742 - SS8MO10XMJ10-Z-ETP
 1743 - SS8MO10XMJ10-Ni-V
 1744 - SS8MO10XMJ10-Ni-AL
 1745 - SS8MO10XMJ10-Ni-ETP

1750 - SS12MO12XMJ12-Z-V
 1751 - SS12MO12XMJ12-Z-AL
 1752 - SS12MO12XMJ12-Z-ETP
 1753 - SS12MO12XMJ12-Ni-V
 1754 - SS12MO12XMJ12-Ni-AL
 1755 - SS12MO12XMJ12-Ni-ETP

1760 - SS16MO16XMJ16-Z-V
 1761 - SS16MO16XMJ16-Z-AL
 1762 - SS16MO16XMJ16-Z-ETP
 1763 - SS16MO16XMJ16-Ni-V
 1764 - SS16MO16XMJ16-Ni-AL
 1765 - SS16MO16XMJ16-Ni-ETP

1770 - SS20MO20XMJ20-Z-V
 1771 - SS20MO20XMJ20-Z-AL
 1772 - SS20MO20XMJ20-Z-ETP
 1773 - SS20MO20XMJ20-Ni-V
 1774 - SS20MO20XMJ20-Ni-AL
 1775 - SS20MO20XMJ20-Ni-ETP
 18014 - SS24MO24XMJ24-Ni-V

ITEM # - DESCRIPTION

Inline Male Pipe (N.P.T.F.)
X Male (J.I.C.)

PAGE 18

1800 - SS4MP25XMJ6-Z-V
 1801 - SS4MP25XMJ6-Z-AL
 1802 - SS4MP25XMJ6-Z-ETP
 1803 - SS4MP25XMJ6-Ni-V
 1804 - SS4MP25XMJ6-Ni-AL
 1805 - SS4MP25XMJ6-Ni-ETP

1880 - SS4MP38XMJ6-Z-V
 1881 - SS4MP38XMJ6-Z-AL
 1882 - SS4MP38XMJ6-Z-ETP
 1883 - SS4MP38XMJ6-Ni-V
 1884 - SS4MP38XMJ6-Ni-AL
 1885 - SS4MP38XMJ6-Ni-ETP

1810 - SS8MP38XMJ8-Z-V
 1811 - SS8MP38XMJ8-Z-AL
 1812 - SS8MP38XMJ8-Z-ETP
 1813 - SS8MP38XMJ8-Ni-V
 1814 - SS8MP38XMJ8-Ni-AL
 1815 - SS8MP38XMJ8-Ni-ETP

1820 - SS8MP38XMJ10-Z-V
 1821 - SS8MP38XMJ10-Z-AL
 1822 - SS8MP38XMJ10-Z-ETP
 1823 - SS8MP38XMJ10-Ni-V
 1824 - SS8MP38XMJ10-Ni-AL
 1825 - SS8MP38XMJ10-Ni-ETP

1830 - SS8MP50XMJ8-Z-V
 1831 - SS8MP50XMJ8-Z-AL
 1832 - SS8MP50XMJ8-Z-ETP
 1833 - SS8MP50XMJ8-Ni-V
 1834 - SS8MP50XMJ8-Ni-AL
 1835 - SS8MP50XMJ8-Ni-ETP

1840 - SS8MP50XMJ10-Z-V
 1841 - SS8MP50XMJ10-Z-AL
 1842 - SS8MP50XMJ10-Z-ETP
 1843 - SS8MP50XMJ10-Ni-V
 1844 - SS8MP50XMJ10-Ni-AL
 1845 - SS8MP50XMJ10-Ni-ETP

1850 - SS12MP75XMJ12-Z-V
 1851 - SS12MP75XMJ12-Z-AL
 1852 - SS12MP75XMJ12-Z-ETP
 1853 - SS12MP75XMJ12-Ni-V
 1854 - SS12MP75XMJ12-Ni-AL
 1855 - SS12MP75XMJ12-Ni-ETP

1860 - SS16MP100XMJ16-Z-V
 1861 - SS16MP100XMJ16-Z-AL
 1862 - SS16MP100XMJ16-Z-ETP

1863 - SS16MP100XMJ16-Ni-V
 1864 - SS16MP100XMJ16-Ni-AL
 1865 - SS16MP100XMJ16-Ni-ETP

1870 - SS20MP125XMJ20-Z-V
 1871 - SS20MP125XMJ20-Z-AL
 1872 - SS20MP125XMJ20-Z-ETP
 1873 - SS20MP125XMJ20-Ni-V
 1874 - SS20MP125XMJ20-Ni-AL
 1875 - SS20MP125XMJ20-Ni-ETP

Inline Male (J.I.C.)
X Male (J.I.C.)

PAGE 18

1960 - SS4MJ4XMJ4-Z-V
 1961 - SS4MJ4XMJ4-Z-AL
 1962 - SS4MJ4XMJ4-Z-ETP
 1963 - SS4MJ4XMJ4-Ni-V
 1964 - SS4MJ4XMJ4-Ni-AL
 1965 - SS4MJ4XMJ4-Ni-ETP

1900 - SS4MJ6XMJ6-Z-V
 1901 - SS4MJ6XMJ6-Z-AL
 1902 - SS4MJ6XMJ6-Z-ETP
 1903 - SS4MJ6XMJ6-Ni-V
 1904 - SS4MJ6XMJ6-Ni-AL
 1905 - SS4MJ6XMJ6-Ni-ETP

1910 - SS8MJ8XMJ8-Z-V
 1911 - SS8MJ8XMJ8-Z-AL
 1912 - SS8MJ8XMJ8-Z-ETP

ITEM # - DESCRIPTION

1913 - SS8MJ8XMJ8-Ni-V
 1914 - SS8MJ8XMJ8-Ni-AL
 1915 - SS8MJ8XMJ8-Ni-ETP

1920 - SS8MJ10XMJ10-Z-V
 1921 - SS8MJ10XMJ10-Z-AL
 1922 - SS8MJ10XMJ10-Z-ETP
 1923 - SS8MJ10XMJ10-Ni-V
 1924 - SS8MJ10XMJ10-Ni-AL
 1925 - SS8MJ10XMJ10-Ni-ETP

1930 - SS12MJ12XMJ12-Z-V
 1931 - SS12MJ12XMJ12-Z-AL
 1932 - SS12MJ12XMJ12-Z-ETP
 1933 - SS12MJ12XMJ12-Ni-V
 1934 - SS12MJ12XMJ12-Ni-AL
 1935 - SS12MJ12XMJ12-Ni-ETP

1940 - SS16MJ16XMJ16-Z-V
 1941 - SS16MJ16XMJ16-Z-AL
 1942 - SS16MJ16XMJ16-Z-ETP
 1943 - SS16MJ16XMJ16-Ni-V
 1944 - SS16MJ16XMJ16-Ni-AL
 1945 - SS16MJ16XMJ16-Ni-ETP

1950 - SS20MJ20XMJ20-Z-V
 1951 - SS20MJ20XMJ20-Z-AL
 1952 - SS20MJ20XMJ20-Z-ETP
 1953 - SS20MJ20XMJ20-Ni-V
 1954 - SS20MJ20XMJ20-Ni-AL
 1955 - SS20MJ20XMJ20-Ni-ETP

Inline Male (O.R.B.)
X Female (J.I.C.)

PAGE 19

2000 - SS4MO6XFJ6-Z-V
 2001 - SS4MO6XFJ6-Z-AL
 2002 - SS4MO6XFJ6-Z-ETP
 2003 - SS4MO6XFJ6-Ni-V
 2004 - SS4MO6XFJ6-Ni-AL
 2005 - SS4MO6XFJ6-Ni-ETP

2010 - SS8MO8XFJ8-Z-V
 2011 - SS8MO8XFJ8-Z-AL
 2012 - SS8MO8XFJ8-Z-ETP
 2013 - SS8MO8XFJ8-Ni-V
 2014 - SS8MO8XFJ8-Ni-AL
 2015 - SS8MO8XFJ8-Ni-ETP

2020 - SS8MO10XFJ10-Z-V
 2021 - SS8MO10XFJ10-Z-AL
 2022 - SS8MO10XFJ10-Z-ETP
 2023 - SS8MO10XFJ10-Ni-V
 2024 - SS8MO10XFJ10-Ni-AL
 2025 - SS8MO10XFJ10-Ni-ETP

2030 - SS12MO12XFJ12-Z-V
 2031 - SS12MO12XFJ12-Z-AL
 2032 - SS12MO12XFJ12-Z-ETP
 2033 - SS12MO12XFJ12-Ni-V

2034 - SS12MO12XFJ12-Ni-AL
 2035 - SS12MO12XFJ12-Ni-ETP

2040 - SS16MO16XFJ16-Z-V
 2041 - SS16MO16XFJ16-Z-AL
 2042 - SS16MO16XFJ16-Z-ETP
 2043 - SS16MO16XFJ16-Ni-V
 2044 - SS16MO16XFJ16-Ni-AL
 2045 - SS16MO16XFJ16-Ni-ETP

2050 - SS20MO20XFJ20-Z-V
 2051 - SS20MO20XFJ20-Z-AL
 2052 - SS20MO20XFJ20-Z-ETP
 2053 - SS20MO20XFJ20-Ni-V
 2054 - SS20MO20XFJ20-Ni-AL
 2055 - SS20MO20XFJ20-Ni-ETP

2063 - SS24MO24XFJ24-Ni-V
 2064 - SS24MO24XFJ24-Ni-AL
 2065 - SS24MO24XFJ24-Ni-ETP

(V) = Viton
(AL) = Aflas
(ETP) = Extreme Viton

ITEM # - DESCRIPTION

Inline Female Face Seal (F.F.S.) **PAGE 19**
X Male Face Seal (M.F.S.)

2300 - SS4FFS6XMFS6-Z-V
 2301 - SS4FFS6XMFS6-Z-AL
 2302 - SS4FFS6XMFS6-Z-ETP
 2303 - SS4FFS6XMFS6-NI-V
 2304 - SS4FFS6XMFS6-NI-AL
 2305 - SS4FFS6XMFS6-NI-ETP

2310 - SS8FFS8XMFS8-Z-V
 2311 - SS8FFS8XMFS8-Z-AL
 2312 - SS8FFS8XMFS8-Z-ETP
 2313 - SS8FFS8XMFS8-NI-V
 2314 - SS8FFS8XMFS8-NI-AL
 2315 - SS8FFS8XMFS8-NI-ETP

2320 - SS8FFS10XMFS10-Z-V
 2321 - SS8FFS10XMFS10-Z-AL
 2322 - SS8FFS10XMFS10-Z-ETP
 2323 - SS8FFS10XMFS10-NI-V
 2324 - SS8FFS10XMFS10-NI-AL
 2325 - SS8FFS10XMFS10-NI-ETP

2330 - SS12FFS12XMFS12-Z-V
 2331 - SS12FFS12XMFS12-Z-AL
 2332 - SS12FFS12XMFS12-Z-ETP
 2333 - SS12FFS12XMFS12-NI-V
 2334 - SS12FFS12XMFS12-NI-AL
 2335 - SS12FFS12XMFS12-NI-ETP

2340 - SS16FFS16XMFS16-Z-V
 2341 - SS16FFS16XMFS16-Z-AL
 2342 - SS16FFS16XMFS16-Z-ETP
 2343 - SS16FFS16XMFS16-NI-V
 2344 - SS16FFS16XMFS16-NI-AL
 2345 - SS16FFS16XMFS16-NI-ETP

2350 - SS20FFS20XMFS20-Z-V
 2351 - SS20FFS20XMFS20-Z-AL
 2352 - SS20FFS20XMFS20-Z-ETP
 2353 - SS20FFS20XMFS20-NI-V
 2354 - SS20FFS20XMFS20-NI-AL
 2355 - SS20FFS20XMFS20-NI-ETP

2363 - SS24FFS24XMFS24-NI-V
 2364 - SS24FFS24XMFS24-NI-AL
 2365 - SS24FFS24XMFS24-NI-ETP

Inline Male Face Seal (M.F.S.) **PAGE 20**
X Male Face Seal (M.F.S.)

2400 - SS4MFS6XMFS6-Z-V
 2401 - SS4MFS6XMFS6-Z-AL
 2402 - SS4MFS6XMFS6-Z-ETP
 2403 - SS4MFS6XMFS6-NI-V
 2404 - SS4MFS6XMFS6-NI-AL
 2405 - SS4MFS6XMFS6-NI-ETP

2410 - SS8MFS8XMFS8-Z-V
 2411 - SS8MFS8XMFS8-Z-AL
 2412 - SS8MFS8XMFS8-Z-ETP
 2413 - SS8MFS8XMFS8-NI-V
 2414 - SS8MFS8XMFS8-NI-AL
 2415 - SS8MFS8XMFS8-NI-ETP

2420 - SS8MFS10XMFS10-Z-V
 2421 - SS8MFS10XMFS10-Z-AL
 2422 - SS8MFS10XMFS10-Z-ETP
 2423 - SS8MFS10XMFS10-NI-V
 2424 - SS8MFS10XMFS10-NI-AL
 2425 - SS8MFS10XMFS10-NI-ETP

2430 - SS12MFS12XMFS12-Z-V
 2431 - SS12MFS12XMFS12-Z-AL
 2432 - SS12MFS12XMFS12-Z-ETP
 2433 - SS12MFS12XMFS12-NI-V
 2434 - SS12MFS12XMFS12-NI-AL
 2435 - SS12MFS12XMFS12-NI-ETP

2440 - SS16MFS16XMFS16-Z-V
 2441 - SS16MFS16XMFS16-Z-AL
 2442 - SS16MFS16XMFS16-Z-ETP
 2443 - SS16MFS16XMFS16-NI-V
 2444 - SS16MFS16XMFS16-NI-AL
 2445 - SS16MFS16XMFS16-NI-ETP

ITEM # - DESCRIPTION

Inline Male (O.R.B.) **PAGE 20**
X Male Face Seal (M.F.S.)

2450 - SS20MFS20XMFS20-Z-V
 2451 - SS20MFS20XMFS20-Z-AL
 2452 - SS20MFS20XMFS20-Z-ETP
 2453 - SS20MFS20XMFS20-NI-V
 2454 - SS20MFS20XMFS20-NI-AL
 2455 - SS20MFS20XMFS20-NI-ETP

Inline Male (O.R.B.) **PAGE 20**
X Male Face Seal (M.F.S.)

2500 - SS4MO6XMFS6-Z-V
 2501 - SS4MO6XMFS6-Z-AL
 2502 - SS4MO6XMFS6-Z-ETP
 2503 - SS4MO6XMFS6-NI-V
 2504 - SS4MO6XMFS6-NI-AL
 2505 - SS4MO6XMFS6-NI-ETP

2510 - SS8MO8XMFS8-Z-V
 2511 - SS8MO8XMFS8-Z-AL
 2512 - SS8MO8XMFS8-Z-ETP
 2513 - SS8MO8XMFS8-NI-V
 2514 - SS8MO8XMFS8-NI-AL
 2515 - SS8MO8XMFS8-NI-ETP

2520 - SS8MO10XMFS10-Z-V
 2521 - SS8MO10XMFS10-Z-AL
 2522 - SS8MO10XMFS10-Z-ETP
 2523 - SS8MO10XMFS10-NI-V
 2524 - SS8MO10XMFS10-NI-AL
 2525 - SS8MO10XMFS10-NI-ETP

2530 - SS12MO12XMFS12-Z-V
 2531 - SS12MO12XMFS12-Z-AL
 2532 - SS12MO12XMFS12-Z-ETP
 2533 - SS12MO12XMFS12-NI-V
 2534 - SS12MO12XMFS12-NI-AL
 2535 - SS12MO12XMFS12-NI-ETP

2540 - SS16MO16XMFS16-Z-V
 2541 - SS16MO16XMFS16-Z-AL
 2542 - SS16MO16XMFS16-Z-ETP
 2543 - SS16MO16XMFS16-NI-V
 2544 - SS16MO16XMFS16-NI-AL
 2545 - SS16MO16XMFS16-NI-ETP

2550 - SS20MO20XMFS20-Z-V
 2551 - SS20MO20XMFS20-Z-AL
 2552 - SS20MO20XMFS20-Z-ETP
 2553 - SS20MO20XMFS20-NI-V
 2554 - SS20MO20XMFS20-NI-AL
 2555 - SS20MO20XMFS20-NI-ETP

2563 - SS24MO24XMFS24-NI-V
 2564 - SS24MO24XMFS24-NI-AL
 2565 - SS24MO24XMFS24-NI-ETP

Inline Male Face Seal Bulkhead (M.F.S.B.) **PAGE 21**
X Male Face Seal (M.F.S.)

2600 - SS4MFSB6XMFS6-Z-V
 2601 - SS4MFSB6XMFS6-Z-AL
 2602 - SS4MFSB6XMFS6-Z-ETP
 2603 - SS4MFSB6XMFS6-NI-V
 2604 - SS4MFSB6XMFS6-NI-AL
 2605 - SS4MFSB6XMFS6-NI-ETP

2610 - SS8MFSB8XMFS8-Z-V
 2611 - SS8MFSB8XMFS8-Z-AL
 2612 - SS8MFSB8XMFS8-Z-ETP
 2613 - SS8MFSB8XMFS8-NI-V
 2614 - SS8MFSB8XMFS8-NI-AL
 2615 - SS8MFSB8XMFS8-NI-ETP

2620 - SS8MFSB10XMFS10-Z-V
 2621 - SS8MFSB10XMFS10-Z-AL
 2622 - SS8MFSB10XMFS10-Z-ETP
 2623 - SS8MFSB10XMFS10-NI-V
 2624 - SS8MFSB10XMFS10-NI-AL
 2625 - SS8MFSB10XMFS10-NI-ETP

2630 - SS12MFSB12XMFS12-Z-V
 2631 - SS12MFSB12XMFS12-Z-AL
 2632 - SS12MFSB12XMFS12-Z-ETP

ITEM # - DESCRIPTION

2633 - SS12MFSB12XMFS12-NI-V
 2634 - SS12MFSB12XMFS12-NI-AL
 2635 - SS12MFSB12XMFS12-NI-ETP

2640 - SS16MFSB16XMFS16-Z-V
 2641 - SS16MFSB16XMFS16-Z-AL
 2642 - SS16MFSB16XMFS16-Z-ETP
 2643 - SS16MFSB16XMFS16-NI-V
 2644 - SS16MFSB16XMFS16-NI-AL
 2645 - SS16MFSB16XMFS16-NI-ETP

2650 - SS20MFSB20XMFS20-Z-V
 2651 - SS20MFSB20XMFS20-Z-AL
 2652 - SS20MFSB20XMFS20-Z-ETP

Inline (H.P.) Female Pipe **PAGE 22**
X Female Pipe (N.P.T.F.)

13039 - SS8HPP38XFP38-NI-90V
 2123 - SS8HPP50XFP50-NI-V
 2124 - SS8HPP50XFP50-NI-AL

Inline (H.P.) Male Pipe **PAGE 22**
X Female Pipe (N.P.T.F.)

13038 - SS8HPMP38XFP38-NI-90V
 2223 - SS8HPMP50XFP50-NI-V
 2224 - SS8HPMP50XFP50-NI-AL

90° Female Pipe (N.P.T.F.) **PAGE 24**
X Female Pipe (N.P.T.F.)

5080 - 9SS2FP12.5XFP12.5-Z-V
 5081 - 9SS2FP12.5XFP12.5-Z-AL
 5082 - N/A
 5083 - 9SS2FP12.5XFP12.5-NI-V
 5084 - 9SS2FP12.5XFP12.5-NI-AL
 5085 - N/A

5000 - 9SS4FP25XFP25-Z-V
 5001 - 9SS4FP25XFP25-Z-AL
 5002 - 9SS4FP25XFP25-Z-ETP
 5003 - 9SS4FP25XFP25-NI-V
 5004 - 9SS4FP25XFP25-NI-AL
 5005 - 9SS4FP25XFP25-NI-ETP
 5006 - 9SS4FP25XFP25-440-AL
 5007 - 9SS4FP25XFP25-440-ETP

5010 - 9SS8FP38XFP38-Z-V
 5011 - 9SS8FP38XFP38-Z-AL
 5012 - 9SS8FP38XFP38-Z-ETP
 5013 - 9SS8FP38XFP38-NI-V
 5014 - 9SS8FP38XFP38-NI-AL
 5015 - 9SS8FP38XFP38-NI-ETP
 5016 - 9SS8FP38XFP38-440-AL
 5017 - 9SS8FP38XFP38-440-ETP

5020 - 9SS8FP50XFP50-Z-V
 5021 - 9SS8FP50XFP50-Z-AL
 5022 - 9SS8FP50XFP50-Z-ETP
 5023 - 9SS8FP50XFP50-NI-V
 5024 - 9SS8FP50XFP50-NI-AL
 5025 - 9SS8FP50XFP50-NI-ETP
 5026 - 9SS8FP50XFP50-440-AL
 5027 - 9SS8FP50XFP50-440-ETP

5030 - 9SS12FP75XFP75-Z-V
 5031 - 9SS12FP75XFP75-Z-AL
 5032 - 9SS12FP75XFP75-Z-ETP
 5033 - 9SS12FP75XFP75-NI-V
 5034 - 9SS12FP75XFP75-NI-AL
 5035 - 9SS12FP75XFP75-NI-ETP
 5036 - 9SS12FP75XFP75-440-AL
 5037 - 9SS12FP75XFP75-440-ETP

5040 - 9SS16FP100XFP100-Z-V
 5041 - 9SS16FP100XFP100-Z-AL
 5042 - 9SS16FP100XFP100-Z-ETP
 5043 - 9SS16FP100XFP100-NI-V
 5044 - 9SS16FP100XFP100-NI-AL
 5045 - 9SS16FP100XFP100-NI-ETP
 5046 - 9SS16FP100XFP100-440-AL
 5047 - 9SS16FP100XFP100-440-ETP

5050 - 9SS20FP125XFP125-Z-V
 5051 - 9SS20FP125XFP125-Z-AL
 5052 - 9SS20FP125XFP125-Z-ETP

ITEM # - DESCRIPTION

5053 - 9SS20FP125XFP125-NI-V
 5054 - 9SS20FP125XFP125-NI-AL
 5055 - 9SS20FP125XFP125-NI-ETP
 5056 - 9SS20FP125XFP125-440-AL
 5057 - 9SS20FP125XFP125-440-ETP

5063 - 9SS24FP150XFP150-NI-V
 5064 - 9SS24FP150XFP150-NI-AL
 5065 - 9SS24FP150XFP150-NI-ETP
 5066 - 9SS24FP150XFP150-440-AL
 5067 - 9SS24FP150XFP150-440-ETP

5073 - 9SS32FP200XFP200-NI-V
 5074 - 9SS32FP200XFP200-NI-AL
 5075 - 9SS32FP200XFP200-NI-ETP
 5076 - 9SS32FP200XFP200-440-AL
 5077 - 9SS32FP200XFP200-440-ETP

90° Male Pipe (N.P.T.F.) **PAGE 24**
X Female Pipe (N.P.T.F.)

21081 - 9SS2MP12.5XFP12.5-Z-V
 21084 - 9SS2MP12.5XFP12.5-Z-AL
 21090 - 9SS2MP12.5XFP12.5-NI-V
 21091 - 9SS2MP12.5XFP12.5-NI-AL

5100 - 9SS4MP25XFP25-Z-V
 5101 - 9SS4MP25XFP25-Z-AL
 5102 - 9SS4MP25XFP25-Z-ETP
 5103 - 9SS4MP25XFP25-NI-V
 5104 - 9SS4MP25XFP25-NI-AL
 5105 - 9SS4MP25XFP25-NI-ETP
 5106 - 9SS4MP25XFP25-440-AL
 5107 - 9SS4MP25XFP25-440-ETP

5180 - 9SS4MP38XFP25-Z-V
 5181 - 9SS4MP38XFP25-Z-AL
 5182 - 9SS4MP38XFP25-Z-ETP
 5183 - 9SS4MP38XFP25-NI-V
 5184 - 9SS4MP38XFP25-NI-AL
 5185 - 9SS4MP38XFP25-NI-ETP

5190 - 9SS7MP38XFP38-Z-V
 5191 - 9SS7MP38XFP38-Z-AL
 5192 - 9SS7MP38XFP38-Z-ETP
 5193 - 9SS7MP38XFP38-NI-V
 5194 - 9SS7MP38XFP38-NI-AL
 5195 - 9SS7MP38XFP38-NI-ETP

5110 - 9SS8MP38XFP38-Z-V
 5111 - 9SS8MP38XFP38-Z-AL
 5112 - 9SS8MP38XFP38-Z-ETP
 5113 - 9SS8MP38XFP38-NI-V
 5114 - 9SS8MP38XFP38-NI-AL
 5115 - 9SS8MP38XFP38-NI-ETP
 5116 - 9SS8MP38XFP38-440-AL
 5117 - 9SS8MP38XFP38-440-ETP

5120 - 9SS8MP50XFP50-Z-V
 5121 - 9SS8MP50XFP50-Z-AL
 5122 - 9SS8MP50XFP50-Z-ETP
 5123 - 9SS8MP50XFP50-NI-V
 5124 - 9SS8MP50XFP50-NI-AL
 5125 - 9SS8MP50XFP50-NI-ETP
 5126 - 9SS8MP50XFP50-440-AL
 5127 - 9SS8MP50XFP50-440-ETP

5130 - 9SS12MP75XFP75-Z-V
 5131 - 9SS12MP75XFP75-Z-AL
 5132 - 9SS12MP75XFP75-Z-ETP
 5133 - 9SS12MP75XFP75-NI-V
 5134 - 9SS12MP75XFP75-NI-AL
 5135 - 9SS12MP75XFP75-NI-ETP
 5136 - 9SS12MP75XFP75-440-AL
 5137 - 9SS12MP75XFP75-440-ETP

5140 - 9SS16MP100XFP100-Z-V
 5141 - 9SS16MP100XFP100-Z-AL
 5142 - 9SS16MP100XFP100-Z-ETP
 5143 - 9SS16MP100XFP100-NI-V
 5144 - 9SS16MP100XFP100-NI-AL
 5145 - 9SS16MP100XFP100-NI-ETP

5146 - 9SS16MP100XFP100-440-AL
 5147 - 9SS16MP100XFP100-440-ETP

ITEM # - DESCRIPTION

5150 - 9SS20MP125XFP125-Z-V
 5151 - 9SS20MP125XFP125-Z-AL
 5152 - 9SS20MP125XFP125-Z-ETP
 5153 - 9SS20MP125XFP125-Ni-V
 5154 - 9SS20MP125XFP125-Ni-AL
 5155 - 9SS20MP125XFP125-Ni-ETP
 5156 - 9SS20MP125XFP125-440-AL
 5157 - 9SS20MP125XFP125-440-ETP

5163 - 9SS24MP150XFP150-Ni-V
 5164 - 9SS24MP150XFP150-Ni-AL
 5165 - 9SS24MP150XFP150-Ni-ETP
 5166 - 9SS24MP150XFP150-440-AL
 5167 - 9SS24MP150XFP150-440-ETP

5173 - 9SS32MP200XFP200-Ni-V
 5174 - 9SS32MP200XFP200-Ni-AL
 5175 - 9SS32MP200XFP200-Ni-ETP
 5176 - 9SS32MP200XFP200-440-AL
 5177 - 9SS32MP200XFP200-440-ETP

90° Male (O.R.B.)
X Female Pipe (N.P.T.F.)

PAGE 25

5690 - 9SS4M04XFP25-Z-V
 5691 - 9SS4M04XFP25-Z-AL
 5692 - 9SS4M04XFP25-Z-ETP
 5693 - 9SS4M04XFP25-Ni-V
 5694 - 9SS4M04XFP25-Ni-AL
 5695 - 9SS4M04XFP25-Ni-ETP

5600 - 9SS4M06XFP25-Z-V
 5601 - 9SS4M06XFP25-Z-AL
 5602 - 9SS4M06XFP25-Z-ETP
 5603 - 9SS4M06XFP25-Ni-V
 5604 - 9SS4M06XFP25-Ni-AL
 5605 - 9SS4M06XFP25-Ni-ETP

5610 - 9SS8M08XFP38-Z-V
 5611 - 9SS8M08XFP38-Z-AL
 5612 - 9SS8M08XFP38-Z-ETP
 5613 - 9SS8M08XFP38-Ni-V
 5614 - 9SS8M08XFP38-Ni-AL
 5615 - 9SS8M08XFP38-Ni-ETP

5620 - 9SS8M10XFP38-Z-V
 5621 - 9SS8M10XFP38-Z-AL
 5622 - 9SS8M10XFP38-Z-ETP
 5623 - 9SS8M10XFP38-Ni-V
 5624 - 9SS8M10XFP38-Ni-AL
 5625 - 9SS8M10XFP38-Ni-ETP

5630 - 9SS8M08XFP50-Z-V
 5631 - 9SS8M08XFP50-Z-AL
 5632 - 9SS8M08XFP50-Z-ETP
 5633 - 9SS8M08XFP50-Ni-V
 5634 - 9SS8M08XFP50-Ni-AL
 5635 - 9SS8M08XFP50-Ni-ETP

5640 - 9SS8M10XFP50-Z-V
 5641 - 9SS8M10XFP50-Z-AL
 5642 - 9SS8M10XFP50-Z-ETP
 5643 - 9SS8M10XFP50-Ni-V
 5644 - 9SS8M10XFP50-Ni-AL
 5645 - 9SS8M10XFP50-Ni-ETP

5650 - 9SS12M012XFP75-Z-V
 5651 - 9SS12M012XFP75-Z-AL
 5652 - 9SS12M012XFP75-Z-ETP
 5653 - 9SS12M012XFP75-Ni-V
 5654 - 9SS12M012XFP75-Ni-AL
 5655 - 9SS12M012XFP75-Ni-ETP

5660 - 9SS16M016XFP100-Z-V
 5661 - 9SS16M016XFP100-Z-AL
 5662 - 9SS16M016XFP100-Z-ETP
 5663 - 9SS16M016XFP100-Ni-V
 5664 - 9SS16M016XFP100-Ni-AL
 5665 - 9SS16M016XFP100-Ni-ETP

5670 - 9SS20M020XFP125-Z-V
 5671 - 9SS20M020XFP125-Z-AL
 5672 - 9SS20M020XFP125-Z-ETP
 5673 - 9SS20M020XFP125-Ni-V
 5674 - 9SS20M020XFP125-Ni-AL
 5675 - 9SS20M020XFP125-Ni-ETP

ITEM # - DESCRIPTION

5683 - 9SS24M024XFP150-Ni-V
 5684 - 9SS24M024XFP150-Ni-AL
 5685 - 9SS24M024XFP150-Ni-ETP

90° Male (J.I.C.)
X Female Pipe (N.P.T.F.)

PAGE 25

5890 - 9SS4MJ4XFP25-Z-V
 5891 - 9SS4MJ4XFP25-Z-AL
 5892 - 9SS4MJ4XFP25-Z-ETP
 5893 - 9SS4MJ4XFP25-Ni-V
 5894 - 9SS4MJ4XFP25-Ni-AL
 5895 - 9SS4MJ4XFP25-Ni-ETP

5800 - 9SS4MJ6XFP25-Z-V
 5801 - 9SS4MJ6XFP25-Z-AL
 5802 - 9SS4MJ6XFP25-Z-ETP
 5803 - 9SS4MJ6XFP25-Ni-V
 5804 - 9SS4MJ6XFP25-Ni-AL
 5805 - 9SS4MJ6XFP25-Ni-ETP

5810 - 9SS8MJ8XFP38-Z-V
 5811 - 9SS8MJ8XFP38-Z-AL
 5812 - 9SS8MJ8XFP38-Z-ETP
 5813 - 9SS8MJ8XFP38-Ni-V
 5814 - 9SS8MJ8XFP38-Ni-AL
 5815 - 9SS8MJ8XFP38-Ni-ETP

5870 - 9SS8MJ10XFP38-Z-V
 5871 - 9SS8MJ10XFP38-Z-AL
 5872 - 9SS8MJ10XFP38-Z-ETP
 5873 - 9SS8MJ10XFP38-Ni-V
 5874 - 9SS8MJ10XFP38-Ni-AL
 5875 - 9SS8MJ10XFP38-Ni-ETP

5820 - 9SS8MJ8XFP50-Z-V
 5821 - 9SS8MJ8XFP50-Z-AL
 5822 - 9SS8MJ8XFP50-Z-ETP
 5823 - 9SS8MJ8XFP50-Ni-V
 5824 - 9SS8MJ8XFP50-Ni-AL
 5825 - 9SS8MJ8XFP50-Ni-ETP

5830 - 9SS8MJ10XFP50-Z-V
 5831 - 9SS8MJ10XFP50-Z-AL
 5832 - 9SS8MJ10XFP50-Z-ETP
 5833 - 9SS8MJ10XFP50-Ni-V
 5834 - 9SS8MJ10XFP50-Ni-AL
 5835 - 9SS8MJ10XFP50-Ni-ETP

5840 - 9SS12MJ12XFP75-Z-V
 5841 - 9SS12MJ12XFP75-Z-AL
 5842 - 9SS12MJ12XFP75-Z-ETP
 5843 - 9SS12MJ12XFP75-Ni-V
 5844 - 9SS12MJ12XFP75-Ni-AL
 5845 - 9SS12MJ12XFP75-Ni-ETP

5850 - 9SS16MJ16XFP100-Z-V
 5851 - 9SS16MJ16XFP100-Z-AL
 5852 - 9SS16MJ16XFP100-Z-ETP
 5853 - 9SS16MJ16XFP100-Ni-V
 5854 - 9SS16MJ16XFP100-Ni-AL
 5855 - 9SS16MJ16XFP100-Ni-ETP

5860 - 9SS20MJ20XFP125-Z-V
 5861 - 9SS20MJ20XFP125-Z-AL
 5862 - 9SS20MJ20XFP125-Z-ETP
 5863 - 9SS20MJ20XFP125-Ni-V
 5864 - 9SS20MJ20XFP125-Ni-AL
 5865 - 9SS20MJ20XFP125-Ni-ETP

5883 - 9SS24MJ24XFP150-Ni-V
 5884 - 9SS24MJ24XFP150-Ni-AL
 5885 - 9SS24MJ24XFP150-Ni-ETP

90° Male Bulkhead (J.I.C.)
X Female Pipe (N.P.T.F.)

PAGE 26

6110 - 9SS8MJ8XFP38-Z-V
 6111 - 9SS8MJ8XFP38-Z-AL
 6112 - 9SS8MJ8XFP38-Z-ETP
 6113 - 9SS8MJ8XFP38-Ni-V
 6114 - 9SS8MJ8XFP38-Ni-AL
 6115 - 9SS8MJ8XFP38-Ni-ETP

6120 - 9SS8MJ8XFP50-Z-V
 6121 - 9SS8MJ8XFP50-Z-AL
 6122 - 9SS8MJ8XFP50-Z-ETP

ITEM # - DESCRIPTION

6123 - 9SS8MJB8XFP50-Ni-V
 6124 - 9SS8MJB8XFP50-Ni-AL
 6125 - 9SS8MJB8XFP50-Ni-ETP

6170 - 9SS8MJB10XFP38-Z-V
 6171 - 9SS8MJB10XFP38-Z-AL
 6172 - 9SS8MJB10XFP38-Z-ETP
 6173 - 9SS8MJB10XFP38-Ni-V
 6174 - 9SS8MJB10XFP38-Ni-AL
 6175 - 9SS8MJB10XFP38-Ni-ETP

6130 - 9SS8MJB10XFP50-Z-V
 6131 - 9SS8MJB10XFP50-Z-AL
 6132 - 9SS8MJB10XFP50-Z-ETP
 6133 - 9SS8MJB10XFP50-Ni-V
 6134 - 9SS8MJB10XFP50-Ni-AL
 6135 - 9SS8MJB10XFP50-Ni-ETP

6140 - 9SS12MJB12XFP75-Z-V
 6141 - 9SS12MJB12XFP75-Z-AL
 6142 - 9SS12MJB12XFP75-Z-ETP
 6143 - 9SS12MJB12XFP75-Ni-V
 6144 - 9SS12MJB12XFP75-Ni-AL
 6145 - 9SS12MJB12XFP75-Ni-ETP

6150 - 9SS16MJB16XFP100-Z-V
 6151 - 9SS16MJB16XFP100-Z-AL
 6152 - 9SS16MJB16XFP100-Z-ETP
 6153 - 9SS16MJB16XFP100-Ni-V
 6154 - 9SS16MJB16XFP100-Ni-AL
 6155 - 9SS16MJB16XFP100-Ni-ETP

6160 - 9SS20MJB20XFP125-Z-V
 6161 - 9SS20MJB20XFP125-Z-AL
 6162 - 9SS20MJB20XFP125-Z-ETP
 6163 - 9SS20MJB20XFP125-Ni-V
 6164 - 9SS20MJB20XFP125-Ni-AL
 6165 - 9SS20MJB20XFP125-Ni-ETP

90° Male (O.R.B.)
X Female (O.R.B.)

PAGE 26

5780 - 9SS4M04XFO6-Z-V
 5781 - 9SS4M04XFO6-Z-AL
 5782 - 9SS4M04XFO6-Z-ETP
 5783 - 9SS4M04XFO6-Ni-V
 5784 - 9SS4M04XFO6-Ni-AL
 5785 - 9SS4M04XFO6-Ni-ETP

5700 - 9SS4M06XFO6-Z-V
 5701 - 9SS4M06XFO6-Z-AL
 5702 - 9SS4M06XFO6-Z-ETP
 5703 - 9SS4M06XFO6-Ni-V
 5704 - 9SS4M06XFO6-Ni-AL
 5705 - 9SS4M06XFO6-Ni-ETP

5710 - 9SS8M08XFO8-Z-V
 5711 - 9SS8M08XFO8-Z-AL
 5712 - 9SS8M08XFO8-Z-ETP
 5713 - 9SS8M08XFO8-Ni-V
 5714 - 9SS8M08XFO8-Ni-AL
 5715 - 9SS8M08XFO8-Ni-ETP

5720 - 9SS8M10XFO8-Z-V
 5721 - 9SS8M10XFO8-Z-AL
 5722 - 9SS8M10XFO8-Z-ETP
 5723 - 9SS8M10XFO8-Ni-V
 5724 - 9SS8M10XFO8-Ni-AL
 5725 - 9SS8M10XFO8-Ni-ETP

5730 - 9SS12M012XFO12-Z-V
 5731 - 9SS12M012XFO12-Z-AL
 5732 - 9SS12M012XFO12-Z-ETP
 5733 - 9SS12M012XFO12-Ni-V
 5734 - 9SS12M012XFO12-Ni-AL
 5735 - 9SS12M012XFO12-Ni-ETP

5740 - 9SS16M016XFO16-Z-V
 5741 - 9SS16M016XFO16-Z-AL
 5742 - 9SS16M016XFO16-Z-ETP
 5743 - 9SS16M016XFO16-Ni-V
 5744 - 9SS16M016XFO16-Ni-AL
 5745 - 9SS16M016XFO16-Ni-ETP

5750 - 9SS20M020XFO20-Z-V
 5751 - 9SS20M020XFO20-Z-AL
 5752 - 9SS20M020XFO20-Z-ETP

ITEM # - DESCRIPTION

5753 - 9SS20M020XFO20-Ni-V
 5754 - 9SS20M020XFO20-Ni-AL
 5755 - 9SS20M020XFO20-Ni-ETP

90° Female Pipe (N.P.T.F.)
X Female (O.R.B.)

PAGE 27

5400 - 9SS4FP25XFO6-Z-V
 5401 - 9SS4FP25XFO6-Z-AL
 5402 - 9SS4FP25XFO6-Z-ETP
 5403 - 9SS4FP25XFO6-Ni-V
 5404 - 9SS4FP25XFO6-Ni-AL
 5405 - 9SS4FP25XFO6-Ni-ETP

5410 - 9SS8FP38XFO8-Z-V
 5411 - 9SS8FP38XFO8-Z-AL
 5412 - 9SS8FP38XFO8-Z-ETP
 5413 - 9SS8FP38XFO8-Ni-V
 5414 - 9SS8FP38XFO8-Ni-AL
 5415 - 9SS8FP38XFO8-Ni-ETP

5420 - 9SS8FP50XFO8-Z-V
 5421 - 9SS8FP50XFO8-Z-AL
 5422 - 9SS8FP50XFO8-Z-ETP
 5423 - 9SS8FP50XFO8-Ni-V
 5424 - 9SS8FP50XFO8-Ni-AL
 5425 - 9SS8FP50XFO8-Ni-ETP

5430 - 9SS12FP75XFO12-Z-V
 5431 - 9SS12FP75XFO12-Z-AL
 5432 - 9SS12FP75XFO12-Z-ETP
 5433 - 9SS12FP75XFO12-Ni-V
 5434 - 9SS12FP75XFO12-Ni-AL
 5435 - 9SS12FP75XFO12-Ni-ETP

5440 - 9SS16FP100XFO16-Z-V
 5441 - 9SS16FP100XFO16-Z-AL
 5442 - 9SS16FP100XFO16-Z-ETP
 5443 - 9SS16FP100XFO16-Ni-V
 5444 - 9SS16FP100XFO16-Ni-AL
 5445 - 9SS16FP100XFO16-Ni-ETP

5450 - 9SS20FP125XFO20-Z-V
 5451 - 9SS20FP125XFO20-Z-AL
 5452 - 9SS20FP125XFO20-Z-ETP
 5453 - 9SS20FP125XFO20-Ni-V
 5454 - 9SS20FP125XFO20-Ni-AL
 5455 - 9SS20FP125XFO20-Ni-ETP

90° Male Pipe (N.P.T.F.)
X Female (O.R.B.)

PAGE 27

5500 - 9SS4MP25XFO6-Z-V
 5501 - 9SS4MP25XFO6-Z-AL
 5502 - 9SS4MP25XFO6-Z-ETP
 5503 - 9SS4MP25XFO6-Ni-V
 5504 - 9SS4MP25XFO6-Ni-AL
 5505 - 9SS4MP25XFO6-Ni-ETP

5560 - 9SS4MP38XFO6-Z-V
 5561 - 9SS4MP38XFO6-Z-AL
 5562 - 9SS4MP38XFO6-Z-ETP
 5563 - 9SS4MP38XFO6-Ni-V
 5564 - 9SS4MP38XFO6-Ni-AL
 5565 - 9SS4MP38XFO6-Ni-ETP

5510 - 9SS8MP38XFO8-Z-V
 5511 - 9SS8MP38XFO8-Z-AL
 5512 - 9SS8MP38XFO8-Z-ETP
 5513 - 9SS8MP38XFO8-Ni-V
 5514 - 9SS8MP38XFO8-Ni-AL
 5515 - 9SS8MP38XFO8-Ni-ETP

5520 - 9SS8MP50XFO8-Z-V
 5521 - 9SS8MP50XFO8-Z-AL
 5522 - 9SS8MP50XFO8-Z-ETP
 5523 - 9SS8MP50XFO8-Ni-V
 5524 - 9SS8MP50XFO8-Ni-AL
 5525 - 9SS8MP50XFO8-Ni-ETP

5530 - 9SS12MP75XFO12-Z-V
 5531 - 9SS12MP75XFO12-Z-AL
 5532 - 9SS12MP75XFO12-Z-ETP
 5533 - 9SS12MP75XFO12-Ni-V
 5534 - 9SS12MP75XFO12-Ni-AL
 5535 - 9SS12MP75XFO12-Ni-ETP

ITEM # - DESCRIPTION

5540 - 9SS16MP100XFO16-Z-V
 5541 - 9SS16MP100XFO16-Z-AL
 5542 - 9SS16MP100XFO16-Z-ETP
 5543 - 9SS16MP100XFO16-Ni-V
 5544 - 9SS16MP100XFO16-Ni-AL
 5545 - 9SS16MP100XFO16-Ni-ETP

5550 - 9SS20MP125XFO20-Z-V
 5551 - 9SS20MP125XFO20-Z-AL
 5552 - 9SS20MP125XFO20-Z-ETP
 5553 - 9SS20MP125XFO20-Ni-V
 5554 - 9SS20MP125XFO20-Ni-AL
 5555 - 9SS20MP125XFO20-Ni-ETP

90° Male (J.I.C.)
X Female (O.R.B.)

PAGE 28

5260 - 9SS4MJ4XFO6-Z-V
 5261 - 9SS4MJ4XFO6-Z-AL
 5262 - 9SS4MJ4XFO6-Z-ETP
 5263 - 9SS4MJ4XFO6-Ni-V
 5264 - 9SS4MJ4XFO6-Ni-AL
 5265 - 9SS4MJ4XFO6-Ni-ETP

5200 - 9SS4MJ6XFO6-Z-V
 5201 - 9SS4MJ6XFO6-Z-AL
 5202 - 9SS4MJ6XFO6-Z-ETP
 5203 - 9SS4MJ6XFO6-Ni-V
 5204 - 9SS4MJ6XFO6-Ni-AL
 5205 - 9SS4MJ6XFO6-Ni-ETP

5210 - 9SS8MJ8XFO8-Z-V
 5211 - 9SS8MJ8XFO8-Z-AL
 5212 - 9SS8MJ8XFO8-Z-ETP
 5213 - 9SS8MJ8XFO8-Ni-V
 5214 - 9SS8MJ8XFO8-Ni-AL
 5215 - 9SS8MJ8XFO8-Ni-ETP

5220 - 9SS8MJ10XFO8-Z-V
 5221 - 9SS8MJ10XFO8-Z-AL
 5222 - 9SS8MJ10XFO8-Z-ETP
 5223 - 9SS8MJ10XFO8-Ni-V
 5224 - 9SS8MJ10XFO8-Ni-AL
 5225 - 9SS8MJ10XFO8-Ni-ETP

5230 - 9SS12MJ12XFO12-Z-V
 5231 - 9SS12MJ12XFO12-Z-AL
 5232 - 9SS12MJ12XFO12-Z-ETP
 5233 - 9SS12MJ12XFO12-Ni-V
 5234 - 9SS12MJ12XFO12-Ni-AL
 5235 - 9SS12MJ12XFO12-Ni-ETP

5240 - 9SS16MJ16XFO16-Z-V
 5241 - 9SS16MJ16XFO16-Z-AL
 5242 - 9SS16MJ16XFO16-Z-ETP
 5243 - 9SS16MJ16XFO16-Ni-V
 5244 - 9SS16MJ16XFO16-Ni-AL
 5245 - 9SS16MJ16XFO16-Ni-ETP

5250 - 9SS20MJ20XFO20-Z-V
 5251 - 9SS20MJ20XFO20-Z-AL
 5252 - 9SS20MJ20XFO20-Z-ETP
 5253 - 9SS20MJ20XFO20-Ni-V
 5254 - 9SS20MJ20XFO20-Ni-AL
 5255 - 9SS20MJ20XFO20-Ni-ETP

90° Male Bulkhead (J.I.C.)
X Female (O.R.B.)

PAGE 28

5300 - 9SS4MJB6XFO6-Z-V
 5301 - 9SS4MJB6XFO6-Z-AL
 5302 - 9SS4MJB6XFO6-Z-ETP
 5303 - 9SS4MJB6XFO6-Ni-V
 5304 - 9SS4MJB6XFO6-Ni-AL
 5305 - 9SS4MJB6XFO6-Ni-ETP

5310 - 9SS8MJB8XFO8-Z-V
 5311 - 9SS8MJB8XFO8-Z-AL
 5312 - 9SS8MJB8XFO8-Z-ETP
 5313 - 9SS8MJB8XFO8-Ni-V
 5314 - 9SS8MJB8XFO8-Ni-AL
 5315 - 9SS8MJB8XFO8-Ni-ETP

5320 - 9SS8MJB10XFO8-Z-V
 5321 - 9SS8MJB10XFO8-Z-AL
 5322 - 9SS8MJB10XFO8-Z-ETP
 5323 - 9SS8MJB10XFO8-Ni-V
 5324 - 9SS8MJB10XFO8-Ni-AL
 5325 - 9SS8MJB10XFO8-Ni-ETP

ITEM # - DESCRIPTION

5330 - 9SS12MJB12XFO12-Z-V
 5331 - 9SS12MJB12XFO12-Z-AL
 5332 - 9SS12MJB12XFO12-Z-ETP
 5333 - 9SS12MJB12XFO12-Ni-V
 5334 - 9SS12MJB12XFO12-Ni-AL
 5335 - 9SS12MJB12XFO12-Ni-ETP

5340 - 9SS16MJB16XFO16-Z-V
 5341 - 9SS16MJB16XFO16-Z-AL
 5342 - 9SS16MJB16XFO16-Z-ETP
 5343 - 9SS16MJB16XFO16-Ni-V
 5344 - 9SS16MJB16XFO16-Ni-AL
 5345 - 9SS16MJB16XFO16-Ni-ETP

90° Female Pipe (N.P.T.F.)
X Pipe Swivel (N.P.S.M.)

PAGE 29

5350 - 9SS20MJB20XFO20-Z-V
 5351 - 9SS20MJB20XFO20-Z-AL
 5352 - 9SS20MJB20XFO20-Z-ETP
 5353 - 9SS20MJB20XFO20-Ni-V
 5354 - 9SS20MJB20XFO20-Ni-AL
 5355 - 9SS20MJB20XFO20-Ni-ETP

6200 - 9SS4FP25XPS25-Z-V
 6201 - 9SS4FP25XPS25-Z-AL
 6202 - 9SS4FP25XPS25-Z-ETP
 6203 - 9SS4FP25XPS25-Ni-V
 6204 - 9SS4FP25XPS25-Ni-AL
 6205 - 9SS4FP25XPS25-Ni-ETP

6260 - 9SS4FP25XPS38-Z-V
 6261 - 9SS4FP25XPS38-Z-AL
 6262 - 9SS4FP25XPS38-Z-ETP
 6263 - 9SS4FP25XPS38-Ni-V
 6264 - 9SS4FP25XPS38-Ni-AL
 6265 - 9SS4FP25XPS38-Ni-ETP

6210 - 9SS8FP38XPS38 - Z - V
 6211 - 9SS8FP38XPS38 - Z - AL
 6212 - 9SS8FP38XPS38 - Z - ETP
 6213 - 9SS8FP38XPS38 - Ni - V
 6214 - 9SS8FP38XPS38 - Ni - AL
 6215 - 9SS8FP38XPS38 - Ni - ETP

6220 - 9SS8FP50XPS50-Z-V
 6221 - 9SS8FP50XPS50-Z-AL
 6222 - 9SS8FP50XPS50-Z-ETP
 6223 - 9SS8FP50XPS50-Ni-V
 6224 - 9SS8FP50XPS50-Ni-AL
 6225 - 9SS8FP50XPS50-Ni-ETP

6230 - 9SS12FP75XPS75-Z-V
 6231 - 9SS12FP75XPS75-Z-AL
 6232 - 9SS12FP75XPS75-Z-ETP
 6233 - 9SS12FP75XPS75-Ni-V
 6234 - 9SS12FP75XPS75-Ni-AL
 6235 - 9SS12FP75XPS75-Ni-ETP

6240 - 9SS16FP100XPS100-Z-V
 6241 - 9SS16FP100XPS100-Z-AL
 6242 - 9SS16FP100XPS100-Z-ETP
 6243 - 9SS16FP100XPS100-Ni-V
 6244 - 9SS16FP100XPS100-Ni-AL
 6245 - 9SS16FP100XPS100-Ni-ETP

6250 - 9SS20FP125XPS125-Z-V
 6251 - 9SS20FP125XPS125-Z-AL
 6252 - 9SS20FP125XPS125-Z-ETP
 6253 - 9SS20FP125XPS125-Ni-V
 6254 - 9SS20FP125XPS125-Ni-AL
 6255 - 9SS20FP125XPS125-Ni-ETP

6273 - 9SS24FP150XPS150-Ni-V
 6274 - 9SS24FP150XPS150-Ni-AL
 6275 - 9SS24FP150XPS150-Ni-ETP

90° Male Pipe (N.P.T.F.)
X Pipe Swivel (N.P.S.M.)

PAGE 29

6300 - 9SS4MP25XPS25-Z-V
 6301 - 9SS4MP25XPS25-Z-AL
 6302 - 9SS4MP25XPS25-Z-ETP
 6303 - 9SS4MP25XPS25-Ni-V
 6304 - 9SS4MP25XPS25-Ni-AL
 6305 - 9SS4MP25XPS25-Ni-ETP

ITEM # - DESCRIPTION

6370 - 9SS4MP25XPS38-Z-V
 6371 - 9SS4MP25XPS38-Z-AL
 6372 - 9SS4MP25XPS38-Z-ETP
 6373 - 9SS4MP25XPS38-Ni-V
 6374 - 9SS4MP25XPS38-Ni-AL
 6375 - 9SS4MP25XPS38-Ni-ETP

6360 - 9SS4MP38XPS25-Z-V
 6361 - 9SS4MP38XPS25-Z-AL
 6362 - 9SS4MP38XPS25-Z-ETP
 6363 - 9SS4MP38XPS25-Ni-V
 6364 - 9SS4MP38XPS25-Ni-AL
 6365 - 9SS4MP38XPS25-Ni-ETP

6380 - 9SS4MP38XPS38-Z-V
 6381 - 9SS4MP38XPS38-Z-AL
 6382 - 9SS4MP38XPS38-Z-ETP
 6383 - 9SS4MP38XPS38-Ni-V
 6384 - 9SS4MP38XPS38-Ni-AL
 6385 - 9SS4MP38XPS38-Ni-ETP

6310 - 9SS8MP38XPS38-Z-V
 6311 - 9SS8MP38XPS38-Z-AL
 6312 - 9SS8MP38XPS38-Z-ETP
 6313 - 9SS8MP38XPS38-Ni-V
 6314 - 9SS8MP38XPS38-Ni-AL
 6315 - 9SS8MP38XPS38-Ni-ETP

6320 - 9SS8MP50XPS50-Z-V
 6321 - 9SS8MP50XPS50-Z-AL
 6322 - 9SS8MP50XPS50-Z-ETP
 6323 - 9SS8MP50XPS50-Ni-V
 6324 - 9SS8MP50XPS50-Ni-AL
 6325 - 9SS8MP50XPS50-Ni-ETP

6330 - 9SS12MP75XPS75-Z-V
 6331 - 9SS12MP75XPS75-Z-AL
 6332 - 9SS12MP75XPS75-Z-ETP
 6333 - 9SS12MP75XPS75-Ni-V
 6334 - 9SS12MP75XPS75-Ni-AL
 6335 - 9SS12MP75XPS75-Ni-ETP

6340 - 9SS16MP100XPS100-Z-V
 6341 - 9SS16MP100XPS100-Z-AL
 6342 - 9SS16MP100XPS100-Z-ETP
 6343 - 9SS16MP100XPS100-Ni-V
 6344 - 9SS16MP100XPS100-Ni-AL
 6345 - 9SS16MP100XPS100-Ni-ETP

6350 - 9SS20MP125XPS125-Z-V
 6351 - 9SS20MP125XPS125-Z-AL
 6352 - 9SS20MP125XPS125-Z-ETP
 6353 - 9SS20MP125XPS125-Ni-V
 6354 - 9SS20MP125XPS125-Ni-AL
 6355 - 9SS20MP125XPS125-Ni-ETP

6393 - 9SS24MP150XPS150-Ni-V
 6394 - 9SS24MP150XPS150-Ni-AL
 6395 - 9SS24MP150XPS150-Ni-ETP

90° Male (O.R.B.)
X Pipe Swivel (N.P.S.M.)

PAGE 30

6490 - 9SS4MO4XPS25-Z-V
 6491 - 9SS4MO4XPS25-Z-AL
 6492 - 9SS4MO4XPS25-Z-ETP
 6493 - 9SS4MO4XPS25-Ni-V
 6494 - 9SS4MO4XPS25-Ni-AL
 6495 - 9SS4MO4XPS25-Ni-ETP

6400 - 9SS4MO6XPS25-Z-V
 6401 - 9SS4MO6XPS25-Z-AL
 6402 - 9SS4MO6XPS25-Z-ETP
 6403 - 9SS4MO6XPS25-Ni-V
 6404 - 9SS4MO6XPS25-Ni-AL
 6405 - 9SS4MO6XPS25-Ni-ETP

6470 - 9SS4MO6XPS38-Z-V
 6471 - 9SS4MO6XPS38-Z-AL
 6472 - 9SS4MO6XPS38-Z-ETP
 6473 - 9SS4MO6XPS38-Ni-V
 6474 - 9SS4MO6XPS38-Ni-AL
 6475 - 9SS4MO6XPS38-Ni-ETP

6410 - 9SS8MO8XPS38-Z-V
 6411 - 9SS8MO8XPS38-Z-AL
 6412 - 9SS8MO8XPS38-Z-ETP

ITEM # - DESCRIPTION

6413 - 9SS8MO8XPS38-Ni-V
 6414 - 9SS8MO8XPS38-Ni-AL
 6415 - 9SS8MO8XPS38-Ni-ETP

6420 - 9SS8MO8XPS50-Z-V
 6421 - 9SS8MO8XPS50-Z-AL
 6422 - 9SS8MO8XPS50-Z-ETP
 6423 - 9SS8MO8XPS50-Ni-V
 6424 - 9SS8MO8XPS50-Ni-AL
 6425 - 9SS8MO8XPS50-Ni-ETP

6430 - 9SS8MO10XPS50-Z-V
 6431 - 9SS8MO10XPS50-Z-AL
 6432 - 9SS8MO10XPS50-Z-ETP
 6433 - 9SS8MO10XPS50-Ni-V
 6434 - 9SS8MO10XPS50-Ni-AL
 6435 - 9SS8MO10XPS50-Ni-ETP

6440 - 9SS12MO12XPS75-Z-V
 6441 - 9SS12MO12XPS75-Z-AL
 6442 - 9SS12MO12XPS75-Z-ETP
 6443 - 9SS12MO12XPS75-Ni-V
 6444 - 9SS12MO12XPS75-Ni-AL
 6445 - 9SS12MO12XPS75-Ni-ETP

6450 - 9SS16MO16XPS100-Z-V
 6451 - 9SS16MO16XPS100-Z-AL
 6452 - 9SS16MO16XPS100-Z-ETP
 6453 - 9SS16MO16XPS100-Ni-V
 6454 - 9SS16MO16XPS100-Ni-AL
 6455 - 9SS16MO16XPS100-Ni-ETP

6460 - 9SS20MO20XPS125-Z-V
 6461 - 9SS20MO20XPS125-Z-AL
 6462 - 9SS20MO20XPS125-Z-ETP
 6463 - 9SS20MO20XPS125-Ni-V
 6464 - 9SS20MO20XPS125-Ni-AL
 6465 - 9SS20MO20XPS125-Ni-ETP

6483 - 9SS24MO24XPS150-Ni-V
 6484 - 9SS24MO24XPS150-Ni-AL
 6485 - 9SS24MO24XPS150-Ni-ETP

90° Male (J.I.C.)
X Pipe Swivel (N.P.S.M.)

PAGE 30

6590 - 9SS4MJ4XPS25-Z-V
 6591 - 9SS4MJ4XPS25-Z-AL
 6592 - 9SS4MJ4XPS25-Z-ETP
 6593 - 9SS4MJ4XPS25-Ni-V
 6594 - 9SS4MJ4XPS25-Ni-AL
 6595 - 9SS4MJ4XPS25-Ni-ETP

6500 - 9SS4MJ6XPS25-Z-V
 6501 - 9SS4MJ6XPS25-Z-AL
 6502 - 9SS4MJ6XPS25-Z-ETP
 6503 - 9SS4MJ6XPS25-Ni-V
 6504 - 9SS4MJ6XPS25-Ni-AL
 6505 - 9SS4MJ6XPS25-Ni-ETP

6570 - 9SS4MJ6XPS38-Z-V
 6571 - 9SS4MJ6XPS38-Z-AL
 6572 - 9SS4MJ6XPS38-Z-ETP
 6573 - 9SS4MJ6XPS38-Ni-V
 6574 - 9SS4MJ6XPS38-Ni-AL
 6575 - 9SS4MJ6XPS38-Ni-ETP

6510 - 9SS8MJ8XPS38-Z-V
 6511 - 9SS8MJ8XPS38-Z-AL
 6512 - 9SS8MJ8XPS38-Z-ETP
 6513 - 9SS8MJ8XPS38-Ni-V
 6514 - 9SS8MJ8XPS38-Ni-AL
 6515 - 9SS8MJ8XPS38-Ni-ETP

6520 - 9SS8MJ8XPS50-Z-V
 6521 - 9SS8MJ8XPS50-Z-AL
 6522 - 9SS8MJ8XPS50-Z-ETP
 6523 - 9SS8MJ8XPS50-Ni-V
 6524 - 9SS8MJ8XPS50-Ni-AL
 6525 - 9SS8MJ8XPS50-Ni-ETP

(V) = Viton
(AL) = Aflas
(ETP) = Extreme Viton

ITEM # - DESCRIPTION

- 6530 - 9SS8MJ10XPS50-Z-V
- 6531 - 9SS8MJ10XPS50-Z-AL
- 6532 - 9SS8MJ10XPS50-Z-ETP
- 6533 - 9SS8MJ10XPS50-Ni-V
- 6534 - 9SS8MJ10XPS50-Ni-AL
- 6535 - 9SS8MJ10XPS50-Ni-ETP

- 6540 - 9SS12MJ12XPS75-Z-V
- 6541 - 9SS12MJ12XPS75-Z-AL
- 6542 - 9SS12MJ12XPS75-Z-ETP
- 6543 - 9SS12MJ12XPS75-Ni-V
- 6544 - 9SS12MJ12XPS75-Ni-AL
- 6545 - 9SS12MJ12XPS75-Ni-ETP

- 6550 - 9SS16MJ16XPS100-Z-V
- 6551 - 9SS16MJ16XPS100-Z-AL
- 6552 - 9SS16MJ16XPS100-Z-ETP
- 6553 - 9SS16MJ16XPS100-Ni-V
- 6554 - 9SS16MJ16XPS100-Ni-AL
- 6555 - 9SS16MJ16XPS100-Ni-ETP

- 6560 - 9SS20MJ20XPS125-Z-V
- 6561 - 9SS20MJ20XPS125-Z-AL
- 6562 - 9SS20MJ20XPS125-Z-ETP
- 6563 - 9SS20MJ20XPS125-Ni-V
- 6564 - 9SS20MJ20XPS125-Ni-AL
- 6565 - 9SS20MJ20XPS125-Ni-ETP

- 6583 - 9SS24MJ24XPS150-Ni-V
- 6584 - 9SS24MJ24XPS150-Ni-AL
- 6585 - 9SS24MJ24XPS150-Ni-ETP

90° Male Bulkhead (J.I.C.)
X Pipe Swivel (N.P.S.M.)

PAGE 31

- 6600 - 9SS4MJB6XPS25-Z-V
- 6601 - 9SS4MJB6XPS25 - Z-AL
- 6602 - 9SS4MJB6XPS25 - Z-ETP
- 6603 - 9SS4MJB6XPS25-Ni-V
- 6604 - 9SS4MJB6XPS25-Ni-AL
- 6605 - 9SS4MJB6XPS25-Ni-ETP

- 6610 - 9SS8MJB8XPS38-Z-V
- 6611 - 9SS8MJB8XPS38-Z-AL
- 6612 - 9SS8MJB8XPS38-Z-ETP
- 6613 - 9SS8MJB8XPS38-Ni-V
- 6614 - 9SS8MJB8XPS38-Ni-AL
- 6615 - 9SS8MJB8XPS38-Ni-ETP

- 6620 - 9SS8MJB8XPS50-Z-V
- 6621 - 9SS8MJB8XPS50-Z-AL
- 6622 - 9SS8MJB8XPS50-Z-ETP
- 6623 - 9SS8MJB8XPS50-Ni-V
- 6624 - 9SS8MJB8XPS50-Ni-AL
- 6625 - 9SS8MJB8XPS50-Ni-ETP

- 6630 - 9SS8MJB10XPS50-Z-V
- 6631 - 9SS8MJB10XPS50-Z-AL
- 6632 - 9SS8MJB10XPS50-Z-ETP
- 6633 - 9SS8MJB10XPS50-Ni-V
- 6634 - 9SS8MJB10XPS50-Ni-AL
- 6635 - 9SS8MJB10XPS50-Ni-ETP

- 6640 - 9SS12MJB12XPS75-Z-V
- 6641 - 9SS12MJB12XPS75-Z-AL
- 6642 - 9SS12MJB12XPS75-Z-ETP
- 6643 - 9SS12MJB12XPS75-Ni-V
- 6644 - 9SS12MJB12XPS75-Ni-AL
- 6645 - 9SS12MJB12XPS75-Ni-ETP

- 6650 - 9SS16MJB16XPS100-Z-V
- 6651 - 9SS16MJB16XPS100-Z-AL
- 6652 - 9SS16MJB16XPS100-Z-ETP
- 6653 - 9SS16MJB16XPS100-Ni-V
- 6654 - 9SS16MJB16XPS100-Ni-AL
- 6655 - 9SS16MJB16XPS100-Ni-ETP

- 6660 - 9SS20MJB20XPS125-Z-V
- 6661 - 9SS20MJB20XPS125-Z-AL
- 6662 - 9SS20MJB20XPS125-Z-ETP
- 6663 - 9SS20MJB20XPS125-Ni-V
- 6664 - 9SS20MJB20XPS125-Ni-AL
- 6665 - 9SS20MJB20XPS125-Ni-ETP

ITEM # - DESCRIPTION

90° Female Pipe (N.P.T.F.)
X Male (J.I.C.)

PAGE 31

- 6780 - 9SS4FP25XMJ4-Z-V
- 6781 - 9SS4FP25XMJ4-Z-AL
- 6782 - 9SS4FP25XMJ4-Z-ETP
- 6783 - 9SS4FP25XMJ4-Ni-V
- 6784 - 9SS4FP25XMJ4-Ni-AL
- 6785 - 9SS4FP25XMJ4-Ni-ETP

- 6700 - 9SS4FP25XMJ6-Z-V
- 6701 - 9SS4FP25XMJ6-Z-AL
- 6702 - 9SS4FP25XMJ6-Z-ETP
- 6703 - 9SS4FP25XMJ6-Ni-V
- 6704 - 9SS4FP25XMJ6-Ni-AL
- 6705 - 9SS4FP25XMJ6-Ni-ETP

- 6790 - 9SS8FP38XMJ6-Z-V
- 6791 - 9SS8FP38XMJ6-Z-AL
- 6792 - 9SS8FP38XMJ6-Z-ETP
- 6793 - 9SS8FP38XMJ6-Ni-V
- 6794 - 9SS8FP38XMJ6-Ni-AL
- 6795 - 9SS8FP38XMJ6-Ni-ETP

- 6710 - 9SS8FP38XMJ8-Z-V
- 6711 - 9SS8FP38XMJ8-Z-AL
- 6712 - 9SS8FP38XMJ8-Z-ETP
- 6713 - 9SS8FP38XMJ8-Ni-V
- 6714 - 9SS8FP38XMJ8-Ni-AL
- 6715 - 9SS8FP38XMJ8-Ni-ETP

- 6720 - 9SS8FP50XMJ8-Z-V
- 6721 - 9SS8FP50XMJ8-Z-AL
- 6722 - 9SS8FP50XMJ8-Z-ETP
- 6723 - 9SS8FP50XMJ8-Ni-V
- 6724 - 9SS8FP50XMJ8-Ni-AL
- 6725 - 9SS8FP50XMJ8-Ni-ETP

- 6730 - 9SS8FP50XMJ10-Z-V
- 6731 - 9SS8FP50XMJ10-Z-AL
- 6732 - 9SS8FP50XMJ10-Z-ETP
- 6733 - 9SS8FP50XMJ10-Ni-V
- 6734 - 9SS8FP50XMJ10-Ni-AL
- 6735 - 9SS8FP50XMJ10-Ni-ETP

- 6740 - 9SS12FP75XMJ12-Z-V
- 6741 - 9SS12FP75XMJ12-Z-AL
- 6742 - 9SS12FP75XMJ12-Z-ETP
- 6743 - 9SS12FP75XMJ12-Ni-V
- 6744 - 9SS12FP75XMJ12-Ni-AL
- 6745 - 9SS12FP75XMJ12-Ni-ETP

- 6750 - 9SS16FP100XMJ16-Z-V
- 6751 - 9SS16FP100XMJ16-Z-AL
- 6752 - 9SS16FP100XMJ16-Z-ETP
- 6753 - 9SS16FP100XMJ16-Ni-V
- 6754 - 9SS16FP100XMJ16-Ni-AL
- 6755 - 9SS16FP100XMJ16-Ni-ETP

- 6760 - 9SS20FP125XMJ20-Z-V
- 6761 - 9SS20FP125XMJ20-Z-AL
- 6762 - 9SS20FP125XMJ20-Z-ETP
- 6763 - 9SS20FP125XMJ20-Ni-V
- 6764 - 9SS20FP125XMJ20-Ni-AL
- 6765 - 9SS20FP125XMJ20-Ni-ETP

- 6773 - 9SS24FP150XMJ24-Ni-V
- 6774 - 9SS24FP150XMJ24-Ni-AL
- 6775 - 9SS24FP150XMJ24-Ni-ETP

- 90° Male Pipe (N.P.T.F.)**
X Male (J.I.C.)

PAGE 32

- 6890 - 9SS4MP25XMJ4-Z-V
- 6891 - 9SS4MP25XMJ4-Z-AL
- 6892 - 9SS4MP25XMJ4-Z-ETP
- 6893 - 9SS4MP25XMJ4-Ni-V
- 6894 - 9SS4MP25XMJ4-Ni-AL
- 6895 - 9SS4MP25XMJ4-Ni-ETP

- 6800 - 9SS4MP25XMJ6-Z-V
- 6801 - 9SS4MP25XMJ6-Z-AL
- 6802 - 9SS4MP25XMJ6-Z-ETP
- 6803 - 9SS4MP25XMJ6-Ni-V
- 6804 - 9SS4MP25XMJ6-Ni-AL
- 6805 - 9SS4MP25XMJ6-Ni-ETP

ITEM # - DESCRIPTION

90° Male (O.R.B.)
X Male (J.I.C.)

PAGE 32

- 6870 - 9SS4MP38XMJ6-Z-V
- 6871 - 9SS4MP38XMJ6-Z-AL
- 6872 - 9SS4MP38XMJ6-Z-ETP
- 6873 - 9SS4MP38XMJ6-Ni-V
- 6874 - 9SS4MP38XMJ6-Ni-AL
- 6875 - 9SS4MP38XMJ6-Ni-ETP

- 6810 - 9SS8MP38XMJ8-Z-V
- 6811 - 9SS8MP38XMJ8-Z-AL
- 6812 - 9SS8MP38XMJ8-Z-ETP
- 6813 - 9SS8MP38XMJ8-Ni-V
- 6814 - 9SS8MP38XMJ8-Ni-AL
- 6815 - 9SS8MP38XMJ8-Ni-ETP

- 6820 - 9SS8MP50XMJ8-Z-V
- 6821 - 9SS8MP50XMJ8-Z-AL
- 6822 - 9SS8MP50XMJ8-Z-ETP
- 6823 - 9SS8MP50XMJ8-Ni-V
- 6824 - 9SS8MP50XMJ8-Ni-AL
- 6825 - 9SS8MP50XMJ8-Ni-ETP

- 6830 - 9SS8MP50XMJ10-Z-V
- 6831 - 9SS8MP50XMJ10-Z-AL
- 6832 - 9SS8MP50XMJ10-Z-ETP
- 6833 - 9SS8MP50XMJ10-Ni-V
- 6834 - 9SS8MP50XMJ10-Ni-AL
- 6835 - 9SS8MP50XMJ10-Ni-ETP

- 6840 - 9SS12MP75XMJ12-Z-V
- 6841 - 9SS12MP75XMJ12-Z-AL
- 6842 - 9SS12MP75XMJ12-Z-ETP
- 6843 - 9SS12MP75XMJ12-Ni-V
- 6844 - 9SS12MP75XMJ12-Ni-AL
- 6845 - 9SS12MP75XMJ12-Ni-ETP

- 6850 - 9SS16MP100XMJ16-Z-V
- 6851 - 9SS16MP100XMJ16-Z-AL
- 6852 - 9SS16MP100XMJ16-Z-ETP
- 6853 - 9SS16MP100XMJ16-Ni-V
- 6854 - 9SS16MP100XMJ16-Ni-AL
- 6855 - 9SS16MP100XMJ16-Ni-ETP

- 6860 - 9SS20MP125XMJ20-Z-V
- 6861 - 9SS20MP125XMJ20-Z-AL
- 6862 - 9SS20MP125XMJ20-Z-ETP
- 6863 - 9SS20MP125XMJ20-Ni-V
- 6864 - 9SS20MP125XMJ20-Ni-AL
- 6865 - 9SS20MP125XMJ20-Ni-ETP

- 6883 - 9SS24MP150XMJ24-Ni-V
- 6884 - 9SS24MP150XMJ24-Ni-AL
- 6885 - 9SS24MP150XMJ24-Ni-ETP

- 90° Male (O.R.B.)**
X Male (J.I.C.)

- 6970 - 9SS4M04XMJ4-Z-V
- 6971 - 9SS4M04XMJ4-Z-AL
- 6972 - 9SS4M04XMJ4-Z-ETP
- 6973 - 9SS4M04XMJ4-Ni-V
- 6974 - 9SS4M04XMJ4-Ni-AL
- 6975 - 9SS4M04XMJ4-Ni-ETP

- 6900 - 9SS4M06XMJ6-Z-V
- 6901 - 9SS4M06XMJ6-Z-AL
- 6902 - 9SS4M06XMJ6-Z-ETP
- 6903 - 9SS4M06XMJ6-Ni-V
- 6904 - 9SS4M06XMJ6-Ni-AL
- 6905 - 9SS4M06XMJ6-Ni-ETP

- 6910 - 9SS8M08XMJ8-Z-V
- 6911 - 9SS8M08XMJ8-Z-AL
- 6912 - 9SS8M08XMJ8-Z-ETP
- 6913 - 9SS8M08XMJ8-Ni-V
- 6914 - 9SS8M08XMJ8-Ni-AL
- 6915 - 9SS8M08XMJ8-Ni-ETP

- 6920 - 9SS8M10XMJ10-Z-V
- 6921 - 9SS8M10XMJ10-Z-AL
- 6922 - 9SS8M10XMJ10-Z-ETP
- 6923 - 9SS8M10XMJ10-Ni-V
- 6924 - 9SS8M10XMJ10-Ni-AL
- 6925 - 9SS8M10XMJ10-Ni-ETP

ITEM # - DESCRIPTION

90° Male (J.I.C.)
X Male (J.I.C.)

PAGE 33

- 6930 - 9SS12M012XMJ12-Z-V
- 6931 - 9SS12M012XMJ12-Z-AL
- 6932 - 9SS12M012XMJ12-Z-ETP
- 6933 - 9SS12M012XMJ12-Ni-V
- 6934 - 9SS12M012XMJ12-Ni-AL
- 6935 - 9SS12M012XMJ12-Ni-ETP

- 6940 - 9SS16M016XMJ16-Z-V
- 6941 - 9SS16M016XMJ16-Z-AL
- 6942 - 9SS16M016XMJ16-Z-ETP
- 6943 - 9SS16M016XMJ16-Ni-V
- 6944 - 9SS16M016XMJ16-Ni-AL
- 6945 - 9SS16M016XMJ16-Ni-ETP

- 6950 - 9SS20M020XMJ20-Z-V
- 6951 - 9SS20M020XMJ20-Z-AL
- 6952 - 9SS20M020XMJ20-Z-ETP
- 6953 - 9SS20M020XMJ20-Ni-V
- 6954 - 9SS20M020XMJ20-Ni-AL
- 6955 - 9SS20M020XMJ20-Ni-ETP

- 6963 - 9SS24M024XMJ24-Ni-V
- 6964 - 9SS24M024XMJ24-Ni-AL
- 6965 - 9SS24M024XMJ24-Ni-ETP

- 7070 - 9SS4M4XMJ4-Z-V
- 7071 - 9SS4M4XMJ4-Z-AL
- 7072 - 9SS4M4XMJ4-Z-ETP
- 7073 - 9SS4M4XMJ4-Ni-V
- 7074 - 9SS4M4XMJ4-Ni-AL
- 7075 - 9SS4M4XMJ4-Ni-ETP

- 7000 - 9SS4M6XMJ6-Z-V
- 7001 - 9SS4M6XMJ6-Z-AL
- 7002 - 9SS4M6XMJ6-Z-ETP
- 7003 - 9SS4M6XMJ6-Ni-V
- 7004 - 9SS4M6XMJ6-Ni-AL
- 7005 - 9SS4M6XMJ6-Ni-ETP

- 7010 - 9SS8M8XMJ8-Z-V
- 7011 - 9SS8M8XMJ8-Z-AL
- 7012 - 9SS8M8XMJ8-Z-ETP
- 7013 - 9SS8M8XMJ8-Ni-V
- 7014 - 9SS8M8XMJ8-Ni-AL
- 7015 - 9SS8M8XMJ8-Ni-ETP

- 7020 - 9SS8M10XMJ10-Z-V
- 7021 - 9SS8M10XMJ10-Z-AL
- 7022 - 9SS8M10XMJ10-Z-ETP
- 7023 - 9SS8M10XMJ10-Ni-V
- 7024 - 9SS8M10XMJ10-Ni-AL
- 7025 - 9SS8M10XMJ10-Ni-ETP

- 7030 - 9SS12M12XMJ12-Z-V
- 7031 - 9SS12M12XMJ12-Z-AL
- 7032 - 9SS12M12XMJ12-Z-ETP
- 7033 - 9SS12M12XMJ12-Ni-V
- 7034 - 9SS12M12XMJ12-Ni-AL
- 7035 - 9SS12M12XMJ12-Ni-ETP

- 7040 - 9SS16M16XMJ16-Z-V
- 7041 - 9SS16M16XMJ16-Z-AL
- 7042 - 9SS16M16XMJ16-Z-ETP
- 7043 - 9SS16M16XMJ16-Ni-V
- 7044 - 9SS16M16XMJ16-Ni-AL
- 7045 - 9SS16M16XMJ16-Ni-ETP

- 7050 - 9SS20M20XMJ20-Z-V
- 7051 - 9SS20M20XMJ20-Z-AL
- 7052 - 9SS20M20XMJ20-Z-ETP
- 7053 - 9SS20M20XMJ20-Ni-V
- 7054 - 9SS20M20XMJ20-Ni-AL
- 7055 - 9SS20M20XMJ20-Ni-ETP

- 7063 - 9SS24M24XMJ24-Ni-V
- 7064 - 9SS24M24XMJ24-Ni-AL
- 7065 - 9SS24M24XMJ24-Ni-ETP

(V) = Viton
(AL) = Aflas
(ETP) = Extreme Viton

ITEM # - DESCRIPTION

90° Male Bulkhead (J.I.C.) **PAGE 33**
X Male (J.I.C.)

8010 - 9SS8MJB8XJM8-Z-V
 8011 - 9SS8MJB8XJM8-Z-AL
 8012 - 9SS8MJB8XJM8-Z-ETP
 8013 - 9SS8MJB8XJM8-Ni-V
 8014 - 9SS8MJB8XJM8-Ni-AL
 8015 - 9SS8MJB8XJM8-Ni-ETP

8020 - 9SS8MJB10XMJ10-Z-V
 8021 - 9SS8MJB10XMJ10-Z-AL
 8022 - 9SS8MJB10XMJ10-Z-ETP
 8023 - 9SS8MJB10XMJ10-Ni-V
 8024 - 9SS8MJB10XMJ10-Ni-AL
 8025 - 9SS8MJB10XMJ10-Ni-ETP

8030 - 9SS12MJB12XMJ12-Z-V
 8031 - 9SS12MJB12XMJ12-Z-AL
 8032 - 9SS12MJB12XMJ12-Z-ETP
 8033 - 9SS12MJB12XMJ12-Ni-V
 8034 - 9SS12MJB12XMJ12-Ni-AL
 8035 - 9SS12MJB12XMJ12-Ni-ETP

8040 - 9SS16MJB16XMJ16-Z-V
 8041 - 9SS16MJB16XMJ16-Z-AL
 8042 - 9SS16MJB16XMJ16-Z-ETP
 8043 - 9SS16MJB16XMJ16-Ni-V
 8044 - 9SS16MJB16XMJ16-Ni-AL
 8045 - 9SS16MJB16XMJ16-Ni-ETP

8050 - 9SS20MJB20XMJ20-Z-V
 8051 - 9SS20MJB20XMJ20-Z-AL
 8052 - 9SS20MJB20XMJ20-Z-ETP
 8053 - 9SS20MJB20XMJ20-Ni-V
 8054 - 9SS20MJB20XMJ20-Ni-AL
 8055 - 9SS20MJB20XMJ20-Ni-ETP

90° Female Pipe (N.P.T.F.) **PAGE 34**
X Male Pipe (N.P.T.F.)

7100 - 9SS4FP25XMP25-Z-V
 7101 - 9SS4FP25XMP25-Z-AL
 7102 - 9SS4FP25XMP25-Z-ETP
 7103 - 9SS4FP25XMP25-Ni-V
 7104 - 9SS4FP25XMP25-Ni-AL
 7105 - 9SS4FP25XMP25-Ni-ETP

7110 - 9SS8FP38XMP38-Z-V
 7111 - 9SS8FP38XMP38-Z-AL
 7112 - 9SS8FP38XMP38-Z-ETP
 7113 - 9SS8FP38XMP38-Ni-V
 7114 - 9SS8FP38XMP38-Ni-AL
 7115 - 9SS8FP38XMP38-Ni-ETP

7120 - 9SS8FP38XMP50-Z-V
 7121 - 9SS8FP38XMP50-Z-AL
 7122 - 9SS8FP38XMP50-Z-ETP
 7123 - 9SS8FP38XMP50-Ni-V
 7124 - 9SS8FP38XMP50-Ni-AL
 7125 - 9SS8FP38XMP50-Ni-ETP

7130 - 9SS8FP50XMP38-Z-V
 7131 - 9SS8FP50XMP38-Z-AL
 7132 - 9SS8FP50XMP38-Z-ETP
 7133 - 9SS8FP50XMP38-Ni-V
 7134 - 9SS8FP50XMP38-Ni-AL
 7135 - 9SS8FP50XMP38-Ni-ETP

7140 - 9SS8FP50XMP50-Z-V
 7141 - 9SS8FP50XMP50-Z-AL
 7142 - 9SS8FP50XMP50-Z-ETP
 7143 - 9SS8FP50XMP50-Ni-V
 7144 - 9SS8FP50XMP50-Ni-AL
 7145 - 9SS8FP50XMP50-Ni-ETP

7150 - 9SS12FP75XMP75-Z-V
 7151 - 9SS12FP75XMP75-Z-AL
 7152 - 9SS12FP75XMP75-Z-ETP
 7153 - 9SS12FP75XMP75-Ni-V
 7154 - 9SS12FP75XMP75-Ni-AL
 7155 - 9SS12FP75XMP75-Ni-ETP

7160 - 9SS16FP100XMP100-Z-V
 7161 - 9SS16FP100XMP100-Z-AL
 7162 - 9SS16FP100XMP100-Z-ETP
 7163 - 9SS16FP100XMP100-Ni-V
 7164 - 9SS16FP100XMP100-Ni-AL
 7165 - 9SS16FP100XMP100-Ni-ETP

ITEM # - DESCRIPTION

90° Male Pipe (N.P.T.F.) **PAGE 34**
X Male Pipe (N.P.T.F.)

7170 - 9SS20FP125XMP125-Z-V
 7171 - 9SS20FP125XMP125-Z-AL
 7172 - 9SS20FP125XMP125-Z-ETP
 7173 - 9SS20FP125XMP125-Ni-V
 7174 - 9SS20FP125XMP125-Ni-AL
 7175 - 9SS20FP125XMP125-Ni-ETP

90° Male Pipe (N.P.T.F.) **PAGE 34**
X Male Pipe (N.P.T.F.)

7200 - 9SS4MP25XMP25-Z-V
 7201 - 9SS4MP25XMP25-Z-AL
 7202 - 9SS4MP25XMP25-Z-ETP
 7203 - 9SS4MP25XMP25-Ni-V
 7204 - 9SS4MP25XMP25-Ni-AL
 7205 - 9SS4MP25XMP25-Ni-ETP

7290 - 9SS4MP38XMP38-Z-V
 7291 - 9SS4MP38XMP38-Z-AL
 7292 - 9SS4MP38XMP38-Z-ETP
 7293 - 9SS4MP38XMP38-Ni-V
 7294 - 9SS4MP38XMP38-Ni-AL
 7295 - 9SS4MP38XMP38-Ni-ETP

7210 - 9SS8MP38XMP38-Z-V
 7211 - 9SS8MP38XMP38-Z-AL
 7212 - 9SS8MP38XMP38-Z-ETP
 7213 - 9SS8MP38XMP38-Ni-V
 7214 - 9SS8MP38XMP38-Ni-AL
 7215 - 9SS8MP38XMP38-Ni-ETP

7220 - 9SS8MP38XMP50-Z-V
 7221 - 9SS8MP38XMP50-Z-AL
 7222 - 9SS8MP38XMP50-Z-ETP
 7223 - 9SS8MP38XMP50-Ni-V
 7224 - 9SS8MP38XMP50-Ni-AL
 7225 - 9SS8MP38XMP50-Ni-ETP

7230 - 9SS8MP50XMP38-Z-V
 7231 - 9SS8MP50XMP38-Z-AL
 7232 - 9SS8MP50XMP38-Z-ETP
 7233 - 9SS8MP50XMP38-Ni-V
 7234 - 9SS8MP50XMP38-Ni-AL
 7235 - 9SS8MP50XMP38-Ni-ETP

7240 - 9SS8MP50XMP50-Z-V
 7241 - 9SS8MP50XMP50-Z-AL
 7242 - 9SS8MP50XMP50-Z-ETP
 7243 - 9SS8MP50XMP50-Ni-V
 7244 - 9SS8MP50XMP50-Ni-AL
 7245 - 9SS8MP50XMP50-Ni-ETP

7250 - 9SS12MP75XMP75-Z-V
 7251 - 9SS12MP75XMP75-Z-AL
 7252 - 9SS12MP75XMP75-Z-ETP
 7253 - 9SS12MP75XMP75-Ni-V
 7254 - 9SS12MP75XMP75-Ni-AL
 7255 - 9SS12MP75XMP75-Ni-ETP

7260 - 9SS16MP100XMP100-Z-V
 7261 - 9SS16MP100XMP100-Z-AL
 7262 - 9SS16MP100XMP100-Z-ETP
 7263 - 9SS16MP100XMP100-Ni-V
 7264 - 9SS16MP100XMP100-Ni-AL
 7265 - 9SS16MP100XMP100-Ni-ETP

7270 - 9SS20MP125XMP125-Z-V
 7271 - 9SS20MP125XMP125-Z-AL
 7272 - 9SS20MP125XMP125-Z-ETP
 7273 - 9SS20MP125XMP125-Ni-V
 7274 - 9SS20MP125XMP125-Ni-AL
 7275 - 9SS20MP125XMP125-Ni-ETP

7283 - 9SS24MP150XMP150-Ni-V
 7284 - 9SS24MP150XMP150-Ni-AL
 7285 - 9SS24MP150XMP150-Ni-ETP

90° Male (O.R.E.) **PAGE 35**
X Male Pipe (N.P.T.F.)

21034 - 9SS4MO4XMP25-Z-V
 7300 - 9SS4MO6XMP25-Z-V
 7301 - 9SS4MO6XMP25-Z-AL
 7302 - 9SS4MO6XMP25-Z-ETP

ITEM # - DESCRIPTION

7303 - 9SS4MO6XMP25-Ni-V
 7304 - 9SS4MO6XMP25-Ni-AL
 7305 - 9SS4MO6XMP25-Ni-ETP

7390 - 9SS4MO6XMP38-Z-V
 7391 - 9SS4MO6XMP38-Z-AL
 7392 - 9SS4MO6XMP38-Z-ETP
 7393 - 9SS4MO6XMP38-Ni-V
 7394 - 9SS4MO6XMP38-Ni-AL
 7395 - 9SS4MO6XMP38-Ni-ETP

7310 - 9SS8MO8XMP38-Z-V
 7311 - 9SS8MO8XMP38-Z-AL
 7312 - 9SS8MO8XMP38-Z-ETP
 7313 - 9SS8MO8XMP38-Ni-V
 7314 - 9SS8MO8XMP38-Ni-AL
 7315 - 9SS8MO8XMP38-Ni-ETP

7320 - 9SS8MO8XMP50-Z-V
 7321 - 9SS8MO8XMP50-Z-AL
 7322 - 9SS8MO8XMP50-Z-ETP
 7323 - 9SS8MO8XMP50-Ni-V
 7324 - 9SS8MO8XMP50-Ni-AL
 7325 - 9SS8MO8XMP50-Ni-ETP

7330 - 9SS8MO10XMP38-Z-V
 7331 - 9SS8MO10XMP38-Z-AL
 7332 - 9SS8MO10XMP38-Z-ETP
 7333 - 9SS8MO10XMP38-Ni-V
 7334 - 9SS8MO10XMP38-Ni-AL
 7335 - 9SS8MO10XMP38-Ni-ETP

7340 - 9SS8MO10XMP50-Z-V
 7341 - 9SS8MO10XMP50-Z-AL
 7342 - 9SS8MO10XMP50-Z-ETP
 7343 - 9SS8MO10XMP50-Ni-V
 7344 - 9SS8MO10XMP50-Ni-AL
 7345 - 9SS8MO10XMP50-Ni-ETP

7350 - 9SS12MO12XMP75-Z-V
 7351 - 9SS12MO12XMP75-Z-AL
 7352 - 9SS12MO12XMP75-Z-ETP
 7353 - 9SS12MO12XMP75-Ni-V
 7354 - 9SS12MO12XMP75-Ni-AL
 7355 - 9SS12MO12XMP75-Ni-ETP

7360 - 9SS16MO16XMP100-Z-V
 7361 - 9SS16MO16XMP100-Z-AL
 7362 - 9SS16MO16XMP100-Z-ETP
 7363 - 9SS16MO16XMP100-Ni-V
 7364 - 9SS16MO16XMP100-Ni-AL
 7365 - 9SS16MO16XMP100-Ni-ETP

7370 - 9SS20MO20XMP125-Z-V
 7371 - 9SS20MO20XMP125-Z-AL
 7372 - 9SS20MO20XMP125-Z-ETP
 7373 - 9SS20MO20XMP125-Ni-V
 7374 - 9SS20MO20XMP125-Ni-AL
 7375 - 9SS20MO20XMP125-Ni-ETP

7383 - 9SS24MO24XMP150-Ni-V
 7384 - 9SS24MO24XMP150-Ni-AL
 7385 - 9SS24MO24XMP150-Ni-ETP

90° Male (J.I.C.) **PAGE 35**
X Male Pipe (N.P.T.F.)

21057 - 9SS4MJ4XMP25-Z-V
 7400 - 9SS4MJ6XMP25-Z-V
 7401 - 9SS4MJ6XMP25-Z-AL
 7402 - 9SS4MJ6XMP25-Z-ETP
 7403 - 9SS4MJ6XMP25-Ni-V
 7404 - 9SS4MJ6XMP25-Ni-AL
 7405 - 9SS4MJ6XMP25-Ni-ETP

7490 - 9SS4MJ6XMP38-Z-V
 7491 - 9SS4MJ6XMP38-Z-AL
 7492 - 9SS4MJ6XMP38-Z-ETP
 7493 - 9SS4MJ6XMP38-Ni-V
 7494 - 9SS4MJ6XMP38-Ni-AL
 7495 - 9SS4MJ6XMP38-Ni-ETP

7410 - 9SS8MJ8XMP38-Z-V
 7411 - 9SS8MJ8XMP38-Z-AL
 7412 - 9SS8MJ8XMP38-Z-ETP
 7413 - 9SS8MJ8XMP38-Ni-V
 7414 - 9SS8MJ8XMP38-Ni-AL
 7415 - 9SS8MJ8XMP38-Ni-ETP

ITEM # - DESCRIPTION

7420 - 9SS8MJ8XMP50-Z-V
 7421 - 9SS8MJ8XMP50-Z-AL
 7422 - 9SS8MJ8XMP50-Z-ETP
 7423 - 9SS8MJ8XMP50-Ni-V
 7424 - 9SS8MJ8XMP50-Ni-AL
 7425 - 9SS8MJ8XMP50-Ni-ETP

7430 - 9SS8MJ10XMP38-Z-V
 7431 - 9SS8MJ10XMP38-Z-AL
 7432 - 9SS8MJ10XMP38-Z-ETP
 7433 - 9SS8MJ10XMP38-Ni-V
 7434 - 9SS8MJ10XMP38-Ni-AL
 7435 - 9SS8MJ10XMP38-Ni-ETP

7440 - 9SS8MJ10XMP50-Z-V
 7441 - 9SS8MJ10XMP50-Z-AL
 7442 - 9SS8MJ10XMP50-Z-ETP
 7443 - 9SS8MJ10XMP50-Ni-V
 7444 - 9SS8MJ10XMP50-Ni-AL
 7445 - 9SS8MJ10XMP50-Ni-ETP

7450 - 9SS12MJ12XMP75-Z-V
 7451 - 9SS12MJ12XMP75-Z-AL
 7452 - 9SS12MJ12XMP75-Z-ETP
 7453 - 9SS12MJ12XMP75-Ni-V
 7454 - 9SS12MJ12XMP75-Ni-AL
 7455 - 9SS12MJ12XMP75-Ni-ETP

7460 - 9SS16MJ16XMP100-Z-V
 7461 - 9SS16MJ16XMP100-Z-AL
 7462 - 9SS16MJ16XMP100-Z-ETP
 7463 - 9SS16MJ16XMP100-Ni-V
 7464 - 9SS16MJ16XMP100-Ni-AL
 7465 - 9SS16MJ16XMP100-Ni-ETP

7470 - 9SS20MJ20XMP125-Z-V
 7471 - 9SS20MJ20XMP125-Z-AL
 7472 - 9SS20MJ20XMP125-Z-ETP
 7473 - 9SS20MJ20XMP125-Ni-V
 7474 - 9SS20MJ20XMP125-Ni-AL
 7475 - 9SS20MJ20XMP125-Ni-ETP

7483 - 9SS24MJ24XMP150-Ni-V
 7484 - 9SS24MJ24XMP150-Ni-AL
 7485 - 9SS24MJ24XMP150-Ni-ETP

90° Male Bulkhead (J.I.C.) **PAGE 36**
X Male Pipe (N.P.T.F.)

7500 - 9SS8MJ8XMP38-Z-V
 7501 - 9SS8MJ8XMP38-Z-AL
 7502 - 9SS8MJ8XMP38-Z-ETP
 7503 - 9SS8MJ8XMP38-Ni-V
 7504 - 9SS8MJ8XMP38-Ni-AL
 7505 - 9SS8MJ8XMP38-Ni-ETP

7510 - 9SS8MJ8XMP50-Z-V
 7511 - 9SS8MJ8XMP50-Z-AL
 7512 - 9SS8MJ8XMP50-Z-ETP
 7513 - 9SS8MJ8XMP50-Ni-V
 7514 - 9SS8MJ8XMP50-Ni-AL
 7515 - 9SS8MJ8XMP50-Ni-ETP

7520 - 9SS8MJ10XMP50-Z-V
 7521 - 9SS8MJ10XMP50-Z-AL
 7522 - 9SS8MJ10XMP50-Z-ETP
 7523 - 9SS8MJ10XMP50-Ni-V
 7524 - 9SS8MJ10XMP50-Ni-AL
 7525 - 9SS8MJ10XMP50-Ni-ETP

7530 - 9SS12MJ12XMP75-Z-V
 7531 - 9SS12MJ12XMP75-Z-AL
 7532 - 9SS12MJ12XMP75-Z-ETP
 7533 - 9SS12MJ12XMP75-Ni-V
 7534 - 9SS12MJ12XMP75-Ni-AL
 7535 - 9SS12MJ12XMP75-Ni-ETP

7540 - 9SS16MJ16XMP100-Z-V
 7541 - 9SS16MJ16XMP100-Z-AL
 7542 - 9SS16MJ16XMP100-Z-ETP
 7543 - 9SS16MJ16XMP100-Ni-V
 7544 - 9SS16MJ16XMP100-Ni-AL
 7545 - 9SS16MJ16XMP100-Ni-ETP

7550 - 9SS20MJ20XMP125-Z-V
 7551 - 9SS20MJ20XMP125-Z-AL
 7552 - 9SS20MJ20XMP125-Z-ETP
 7553 - 9SS20MJ20XMP125-Ni-V
 7554 - 9SS20MJ20XMP125-Ni-AL
 7555 - 9SS20MJ20XMP125-Ni-ETP

ITEM # - DESCRIPTION

90° Wheel Motor Swivels **PAGE 36**

5760 - 9SS4MO10XFO6-Z-V
5770 - 9SS4MO10XFO6-Z-V-001

90° Female Pipe (N.P.T.F.)
X Male Face Seal (M.F.S.) **PAGE 37**

8400 - 9SS4FP25XMFS6-Z-V
8401 - 9SS4FP25XMFS6-Z-AL
8402 - 9SS4FP25XMFS6-Z-ETP
8403 - 9SS4FP25XMFS6-Ni-V
8404 - 9SS4FP25XMFS6-Ni-AL
8405 - 9SS4FP25XMFS6-Ni-ETP

8410 - 9SS8FP38XMFS6-Z-V
8411 - 9SS8FP38XMFS6-Z-AL
8412 - 9SS8FP38XMFS6-Z-ETP
8413 - 9SS8FP38XMFS6-Ni-V
8414 - 9SS8FP38XMFS6-Ni-AL
8415 - 9SS8FP38XMFS6-Ni-ETP

8420 - 9SS8FP38XMFS8-Z-V
8421 - 9SS8FP38XMFS8-Z-AL
8422 - 9SS8FP38XMFS8-Z-ETP
8423 - 9SS8FP38XMFS8-Ni-V
8424 - 9SS8FP38XMFS8-Ni-AL
8425 - 9SS8FP38XMFS8-Ni-ETP

8430 - 9SS8FP50XMFS8-Z-V
8431 - 9SS8FP50XMFS8-Z-AL
8432 - 9SS8FP50XMFS8-Z-ETP
8433 - 9SS8FP50XMFS8-Ni-V
8434 - 9SS8FP50XMFS8-Ni-AL
8435 - 9SS8FP50XMFS8-Ni-ETP

8440 - 9SS8FP50XMFS10-Z-V
8441 - 9SS8FP50XMFS10-Z-AL
8442 - 9SS8FP50XMFS10-Z-ETP
8443 - 9SS8FP50XMFS10-Ni-V
8444 - 9SS8FP50XMFS10-Ni-AL
8445 - 9SS8FP50XMFS10-Ni-ETP

8450 - 9SS12FP75XMFS12-Z-V
8451 - 9SS12FP75XMFS12-Z-AL
8452 - 9SS12FP75XMFS12-Z-ETP
8453 - 9SS12FP75XMFS12-Ni-V
8454 - 9SS12FP75XMFS12-Ni-AL
8455 - 9SS12FP75XMFS12-Ni-ETP

8460 - 9SS16FP100XMFS16-Z-V
8461 - 9SS16FP100XMFS16-Z-AL
8462 - 9SS16FP100XMFS16-Z-ETP
8463 - 9SS16FP100XMFS16-Ni-V
8464 - 9SS16FP100XMFS16-Ni-AL
8465 - 9SS16FP100XMFS16-Ni-ETP

8470 - 9SS20FP125XMFS20-Z-V
8471 - 9SS20FP125XMFS20-Z-AL
8472 - 9SS20FP125XMFS20-Z-ETP
8473 - 9SS20FP125XMFS20-Ni-V
8474 - 9SS20FP125XMFS20-Ni-AL
8475 - 9SS20FP125XMFS20-Ni-ETP

8483 - 9SS24FP150XMFS24-Ni-V
8484 - 9SS24FP150XMFS24-Ni-AL
8485 - 9SS24FP150XMFS24-Ni-ETP

90° Male Pipe (N.P.T.F.)
X Male Face Seal (M.F.S.) **PAGE 37**

8500 - 9SS4MP25XMFS6-Z-V
8501 - 9SS4MP25XMFS6-Z-AL
8502 - 9SS4MP25XMFS6-Z-ETP
8503 - 9SS4MP25XMFS6-Ni-V
8504 - 9SS4MP25XMFS6-Ni-AL
8505 - 9SS4MP25XMFS6-Ni-ETP

8510 - 9SS4MP38XMFS6-Z-V
8511 - 9SS4MP38XMFS6-Z-AL
8512 - 9SS4MP38XMFS6-Z-ETP
8513 - 9SS4MP38XMFS6-Ni-V
8514 - 9SS4MP38XMFS6-Ni-AL
8515 - 9SS4MP38XMFS6-Ni-ETP

ITEM # - DESCRIPTION

8520 - 9SS8MP38XMFS6-Z-V
8521 - 9SS8MP38XMFS6-Z-AL
8522 - 9SS8MP38XMFS6-Z-ETP
8523 - 9SS8MP38XMFS6-Ni-V
8524 - 9SS8MP38XMFS6-Ni-AL
8525 - 9SS8MP38XMFS6-Ni-ETP

8530 - 9SS8MP38XMFS8-Z-V
8531 - 9SS8MP38XMFS8-Z-AL
8532 - 9SS8MP38XMFS8-Z-ETP
8533 - 9SS8MP38XMFS8-Ni-V
8534 - 9SS8MP38XMFS8-Ni-AL
8535 - 9SS8MP38XMFS8-Ni-ETP

8540 - 9SS8MP50XMFS8-Z-V
8541 - 9SS8MP50XMFS8-Z-AL
8542 - 9SS8MP50XMFS8-Z-ETP
8543 - 9SS8MP50XMFS8-Ni-V
8544 - 9SS8MP50XMFS8-Ni-AL
8545 - 9SS8MP50XMFS8-Ni-ETP

8550 - 9SS8MP50XMFS10-Z-V
8551 - 9SS8MP50XMFS10-Z-AL
8552 - 9SS8MP50XMFS10-Z-ETP
8553 - 9SS8MP50XMFS10-Ni-V
8554 - 9SS8MP50XMFS10-Ni-AL
8555 - 9SS8MP50XMFS10-Ni-ETP

8560 - 9SS12MP75XMFS12-Z-V
8561 - 9SS12MP75XMFS12-Z-AL
8562 - 9SS12MP75XMFS12-Z-ETP
8563 - 9SS12MP75XMFS12-Ni-V
8564 - 9SS12MP75XMFS12-Ni-AL
8565 - 9SS12MP75XMFS12-Ni-ETP

8570 - 9SS16MP100XMFS16-Z-V
8571 - 9SS16MP100XMFS16-Z-AL
8572 - 9SS16MP100XMFS16-Z-ETP
8573 - 9SS16MP100XMFS16-Ni-V
8574 - 9SS16MP100XMFS16-Ni-AL
8575 - 9SS16MP100XMFS16-Ni-ETP

8580 - 9SS20MP125XMFS20-Z-V
8581 - 9SS20MP125XMFS20-Z-AL
8582 - 9SS20MP125XMFS20-Z-ETP
8583 - 9SS20MP125XMFS20-Ni-V
8584 - 9SS20MP125XMFS20-Ni-AL
8585 - 9SS20MP125XMFS20-Ni-ETP

8593 - 9SS24MP150XMFS24-Ni-V
8594 - 9SS24MP150XMFS24-Ni-AL
8595 - 9SS24MP150XMFS24-Ni-ETP

90° Male (J.I.C.)
X Male Face Seal (M.F.S.) **PAGE 38**

21036 - 9SS4MJ4XMFS4-Z-V
8200 - 9SS4MJ6XMFS6-Z-V
8201 - 9SS4MJ6XMFS6-Z-AL
8202 - 9SS4MJ6XMFS6-Z-ETP
8203 - 9SS4MJ6XMFS6-Ni-V
8204 - 9SS4MJ6XMFS6-Ni-AL
8205 - 9SS4MJ6XMFS6-Ni-ETP

8210 - 9SS8MJ8XMFS6-Z-V
8211 - 9SS8MJ8XMFS6-Z-AL
8212 - 9SS8MJ8XMFS6-Z-ETP
8213 - 9SS8MJ8XMFS6-Ni-V
8214 - 9SS8MJ8XMFS6-Ni-AL
8215 - 9SS8MJ8XMFS6-Ni-ETP

8220 - 9SS8MJ8XMFS8-Z-V
8221 - 9SS8MJ8XMFS8-Z-AL
8222 - 9SS8MJ8XMFS8-Z-ETP
8223 - 9SS8MJ8XMFS8-Ni-V
8224 - 9SS8MJ8XMFS8-Ni-AL
8225 - 9SS8MJ8XMFS8-Ni-ETP

8230 - 9SS8MJ8XMFS10-Z-V
8231 - 9SS8MJ8XMFS10-Z-AL
8232 - 9SS8MJ8XMFS10-Z-ETP
8233 - 9SS8MJ8XMFS10-Ni-V
8234 - 9SS8MJ8XMFS10-Ni-AL
8235 - 9SS8MJ8XMFS10-Ni-ETP

ITEM # - DESCRIPTION

8240 - 9SS8MJ10XMFS8-Z-V
8241 - 9SS8MJ10XMFS8-Z-AL
8242 - 9SS8MJ10XMFS8-Z-ETP
8243 - 9SS8MJ10XMFS8-Ni-V
8244 - 9SS8MJ10XMFS8-Ni-AL
8245 - 9SS8MJ10XMFS8-Ni-ETP

8250 - 9SS8MJ10XMFS10-Z-V
8251 - 9SS8MJ10XMFS10-Z-AL
8252 - 9SS8MJ10XMFS10-Z-ETP
8253 - 9SS8MJ10XMFS10-Ni-V
8254 - 9SS8MJ10XMFS10-Ni-AL
8255 - 9SS8MJ10XMFS10-Ni-ETP

8260 - 9SS12MJ12XMFS12-Z-V
8261 - 9SS12MJ12XMFS12-Z-AL
8262 - 9SS12MJ12XMFS12-Z-ETP
8263 - 9SS12MJ12XMFS12-Ni-V
8264 - 9SS12MJ12XMFS12-Ni-AL
8265 - 9SS12MJ12XMFS12-Ni-ETP

8270 - 9SS16MJ16XMFS16-Z-V
8271 - 9SS16MJ16XMFS16-Z-AL
8272 - 9SS16MJ16XMFS16-Z-ETP
8273 - 9SS16MJ16XMFS16-Ni-V
8274 - 9SS16MJ16XMFS16-Ni-AL
8275 - 9SS16MJ16XMFS16-Ni-ETP

8280 - 9SS20MJ20XMFS20-Z-V
8281 - 9SS20MJ20XMFS20-Z-AL
8282 - 9SS20MJ20XMFS20-Z-ETP
8283 - 9SS20MJ20XMFS20-Ni-V
8284 - 9SS20MJ20XMFS20-Ni-AL
8285 - 9SS20MJ20XMFS20-Ni-ETP

8293 - 9SS24MJ24XMFS24-Ni-V
8294 - 9SS24MJ24XMFS24-Ni-AL
8295 - 9SS24MJ24XMFS24-Ni-ETP

90° Male Bulkhead (J.I.C.)
X Male Face Seal (M.F.S.) **PAGE 38**

8300 - 9SS8MJB8XMFS6-Z-V
8301 - 9SS8MJB8XMFS6-Z-AL
8302 - 9SS8MJB8XMFS6-Z-ETP
8303 - 9SS8MJB8XMFS6-Ni-V
8304 - 9SS8MJB8XMFS6-Ni-AL
8305 - 9SS8MJB8XMFS6-Ni-ETP

8310 - 9SS8MJB8XMFS8-Z-V
8311 - 9SS8MJB8XMFS8-Z-AL
8312 - 9SS8MJB8XMFS8-Z-ETP
8313 - 9SS8MJB8XMFS8-Ni-V
8314 - 9SS8MJB8XMFS8-Ni-AL
8315 - 9SS8MJB8XMFS8-Ni-ETP

8320 - 9SS8MJB8XMFS10-Z-V
8321 - 9SS8MJB8XMFS10-Z-AL
8322 - 9SS8MJB8XMFS10-Z-ETP
8323 - 9SS8MJB8XMFS10-Ni-V
8324 - 9SS8MJB8XMFS10-Ni-AL
8325 - 9SS8MJB8XMFS10-Ni-ETP

8330 - 9SS8MJB10XMFS6-Z-V
8331 - 9SS8MJB10XMFS6-Z-AL
8332 - 9SS8MJB10XMFS6-Z-ETP
8333 - 9SS8MJB10XMFS6-Ni-V
8334 - 9SS8MJB10XMFS6-Ni-AL
8335 - 9SS8MJB10XMFS6-Ni-ETP

8340 - 9SS8MJB10XMFS8-Z-V
8341 - 9SS8MJB10XMFS8-Z-AL
8342 - 9SS8MJB10XMFS8-Z-ETP
8343 - 9SS8MJB10XMFS8-Ni-V
8344 - 9SS8MJB10XMFS8-Ni-AL
8345 - 9SS8MJB10XMFS8-Ni-ETP

8350 - 9SS8MJB10XMFS10-Z-V
8351 - 9SS8MJB10XMFS10-Z-AL
8352 - 9SS8MJB10XMFS10-Z-ETP
8353 - 9SS8MJB10XMFS10-Ni-V
8354 - 9SS8MJB10XMFS10-Ni-AL
8355 - 9SS8MJB10XMFS10-Ni-ETP

8360 - 9SS12MJB12XMFS12-Z-V
8361 - 9SS12MJB12XMFS12-Z-AL
8362 - 9SS12MJB12XMFS12-Z-ETP
8363 - 9SS12MJB12XMFS12-Ni-V

ITEM # - DESCRIPTION

8364 - 9SS12MJB12XMFS12-Ni-AL
8365 - 9SS12MJB12XMFS12-Ni-ETP

8370 - 9SS16MJB16XMFS16-Z-V
8371 - 9SS16MJB16XMFS16-Z-AL
8372 - 9SS16MJB16XMFS16-Z-ETP
8373 - 9SS16MJB16XMFS16-Ni-V
8374 - 9SS16MJB16XMFS16-Ni-AL
8375 - 9SS16MJB16XMFS16-Ni-ETP

8380 - 9SS20MJB20XMFS20-Z-V
8381 - 9SS20MJB20XMFS20-Z-AL
8382 - 9SS20MJB20XMFS20-Z-ETP
8383 - 9SS20MJB20XMFS20-Ni-V
8384 - 9SS20MJB20XMFS20-Ni-AL
8385 - 9SS20MJB20XMFS20-Ni-ETP

90° Male (O.R.B.)
X Male Face Seal (M.F.S.) **PAGE 39**

21037 - 9SS4MO4XMFS4-Z-V
8600 - 9SS4MO6XMFS6-Z-V
8601 - 9SS4MO6XMFS6-Z-AL
8602 - 9SS4MO6XMFS6-Z-ETP
8603 - 9SS4MO6XMFS6-Ni-V
8604 - 9SS4MO6XMFS6-Ni-AL
8605 - 9SS4MO6XMFS6-Ni-ETP

8610 - 9SS8MO8XMFS6-Z-V
8611 - 9SS8MO8XMFS6-Z-AL
8612 - 9SS8MO8XMFS6-Z-ETP
8613 - 9SS8MO8XMFS6-Ni-V
8614 - 9SS8MO8XMFS6-Ni-AL
8615 - 9SS8MO8XMFS6-Ni-ETP

8620 - 9SS8MO8XMFS8-Z-V
8621 - 9SS8MO8XMFS8-Z-AL
8622 - 9SS8MO8XMFS8-Z-ETP
8623 - 9SS8MO8XMFS8-Ni-V
8624 - 9SS8MO8XMFS8-Ni-AL
8625 - 9SS8MO8XMFS8-Ni-ETP

8630 - 9SS8MO8XMFS10-Z-V
8631 - 9SS8MO8XMFS10-Z-AL
8632 - 9SS8MO8XMFS10-Z-ETP
8633 - 9SS8MO8XMFS10-Ni-V
8634 - 9SS8MO8XMFS10-Ni-AL
8635 - 9SS8MO8XMFS10-Ni-ETP

8640 - 9SS8MO10XMFS8-Z-V
8641 - 9SS8MO10XMFS8-Z-AL
8642 - 9SS8MO10XMFS8-Z-ETP
8643 - 9SS8MO10XMFS8-Ni-V
8644 - 9SS8MO10XMFS8-Ni-AL
8645 - 9SS8MO10XMFS8-Ni-ETP

8650 - 9SS8MO10XMFS10-Z-V
8651 - 9SS8MO10XMFS10-Z-AL
8652 - 9SS8MO10XMFS10-Z-ETP
8653 - 9SS8MO10XMFS10-Ni-V
8654 - 9SS8MO10XMFS10-Ni-AL
8655 - 9SS8MO10XMFS10-Ni-ETP

8660 - 9SS12MO12XMFS12-Z-V
8661 - 9SS12MO12XMFS12-Z-AL
8662 - 9SS12MO12XMFS12-Z-ETP
8663 - 9SS12MO12XMFS12-Ni-V
8664 - 9SS12MO12XMFS12-Ni-AL
8665 - 9SS12MO12XMFS12-Ni-ETP

8670 - 9SS16MO16XMFS16-Z-V
8671 - 9SS16MO16XMFS16-Z-AL
8672 - 9SS16MO16XMFS16-Z-ETP
8673 - 9SS16MO16XMFS16-Ni-V
8674 - 9SS16MO16XMFS16-Ni-AL
8675 - 9SS16MO16XMFS16-Ni-ETP

8680 - 9SS20MO20XMFS20-Z-V
8681 - 9SS20MO20XMFS20-Z-AL
8682 - 9SS20MO20XMFS20-Z-ETP
8683 - 9SS20MO20XMFS20-Ni-V
8684 - 9SS20MO20XMFS20-Ni-AL
8685 - 9SS20MO20XMFS20-Ni-ETP

8693 - 9SS24MO24XMFS24-Ni-V
8694 - 9SS24MO24XMFS24-Ni-AL
8695 - 9SS24MO24XMFS24-Ni-ETP

ITEM # - DESCRIPTION

90° Male Face Seal (M.F.S.) **PAGE 39**
X Male Face Seal (M.F.S.)

7600 - 9SS4MFS6XMFS6-Z-V
 7601 - 9SS4MFS6XMFS6-Z-AL
 7602 - 9SS4MFS6XMFS6-Z-ETP
 7603 - 9SS4MFS6XMFS6-NI-V
 7604 - 9SS4MFS6XMFS6-NI-AL
 7605 - 9SS4MFS6XMFS6-NI-ETP

7610 - 9SS8MFS8XMFS8-Z-V
 7611 - 9SS8MFS8XMFS8-Z-AL
 7612 - 9SS8MFS8XMFS8-Z-ETP
 7613 - 9SS8MFS8XMFS8-NI-V
 7614 - 9SS8MFS8XMFS8-NI-AL
 7615 - 9SS8MFS8XMFS8-NI-ETP

7620 - 9SS8MFS10XMFS10-Z-V
 7621 - 9SS8MFS10XMFS10-Z-AL
 7622 - 9SS8MFS10XMFS10-Z-ETP
 7623 - 9SS8MFS10XMFS10-NI-V
 7624 - 9SS8MFS10XMFS10-NI-AL
 7625 - 9SS8MFS10XMFS10-NI-ETP

7630 - 9SS12MFS12XMFS12-Z-V
 7631 - 9SS12MFS12XMFS12-Z-AL
 7632 - 9SS12MFS12XMFS12-Z-ETP
 7633 - 9SS12MFS12XMFS12-NI-V
 7634 - 9SS12MFS12XMFS12-NI-AL
 7635 - 9SS12MFS12XMFS12-NI-ETP

7640 - 9SS16MFS16XMFS16-Z-V
 7641 - 9SS16MFS16XMFS16-Z-AL
 7642 - 9SS16MFS16XMFS16-Z-ETP
 7643 - 9SS16MFS16XMFS16-NI-V
 7644 - 9SS16MFS16XMFS16-NI-AL
 7645 - 9SS16MFS16XMFS16-NI-ETP

7650 - 9SS20MFS20XMFS20-Z-V
 7651 - 9SS20MFS20XMFS20-Z-AL
 7652 - 9SS20MFS20XMFS20-Z-ETP
 7653 - 9SS20MFS20XMFS20-NI-V
 7654 - 9SS20MFS20XMFS20-NI-AL
 7655 - 9SS20MFS20XMFS20-NI-ETP

7663 - 9SS24MFS24XMFS24-NI-V
 7664 - 9SS24MFS24XMFS24-NI-AL
 7665 - 9SS24MFS24XMFS24-NI-ETP

90° Female Face Seal (F.F.S.) **PAGE 40**
X Male Face Seal (M.F.S.)

7700 - 9SS4FFS6XMFS6-Z-V
 7701 - 9SS4FFS6XMFS6-Z-AL
 7702 - 9SS4FFS6XMFS6-Z-ETP
 7703 - 9SS4FFS6XMFS6-NI-V
 7704 - 9SS4FFS6XMFS6-NI-AL
 7705 - 9SS4FFS6XMFS6-NI-ETP

7710 - 9SS8FFS8XMFS8-Z-V
 7711 - 9SS8FFS8XMFS8-Z-AL
 7712 - 9SS8FFS8XMFS8-Z-ETP
 7713 - 9SS8FFS8XMFS8-NI-V
 7714 - 9SS8FFS8XMFS8-NI-AL
 7715 - 9SS8FFS8XMFS8-NI-ETP

7720 - 9SS8FFS10XMFS10-Z-V
 7721 - 9SS8FFS10XMFS10-Z-AL
 7722 - 9SS8FFS10XMFS10-Z-ETP
 7723 - 9SS8FFS10XMFS10-NI-V
 7724 - 9SS8FFS10XMFS10-NI-AL
 7725 - 9SS8FFS10XMFS10-NI-ETP

7730 - 9SS12FFS12XMFS12-Z-V
 7731 - 9SS12FFS12XMFS12-Z-AL
 7732 - 9SS12FFS12XMFS12-Z-ETP
 7733 - 9SS12FFS12XMFS12-NI-V
 7734 - 9SS12FFS12XMFS12-NI-AL
 7735 - 9SS12FFS12XMFS12-NI-ETP

7740 - 9SS16FFS16XMFS16-Z-V
 7741 - 9SS16FFS16XMFS16-Z-AL
 7742 - 9SS16FFS16XMFS16-Z-ETP
 7743 - 9SS16FFS16XMFS16-NI-V
 7744 - 9SS16FFS16XMFS16-NI-AL
 7745 - 9SS16FFS16XMFS16-NI-ETP

7750 - 9SS20FFS20XMFS20-Z-V
 7751 - 9SS20FFS20XMFS20-Z-AL
 7752 - 9SS20FFS20XMFS20-Z-ETP

ITEM # - DESCRIPTION

7753 - 9SS20FFS20XMFS20-NI-V
 7754 - 9SS20FFS20XMFS20-NI-AL
 7755 - 9SS20FFS20XMFS20-NI-ETP

7763 - 9SS24FFS24XMFS24-NI-V
 7764 - 9SS24FFS24XMFS24-NI-AL
 7765 - 9SS24FFS24XMFS24-NI-ETP

90° Male Face Seal Bulkhead (M.F.S.B.) **PAGE 40**
X Male Face Seal (M.F.S.)

7800 - 9SS4MFSB6XMFS6-Z-V
 7801 - 9SS4MFSB6XMFS6-Z-AL
 7802 - 9SS4MFSB6XMFS6-Z-ETP
 7803 - 9SS4MFSB6XMFS6-NI-V
 7804 - 9SS4MFSB6XMFS6-NI-AL
 7805 - 9SS4MFSB6XMFS6-NI-ETP

7810 - 9SS8MFSB8XMFS8-Z-V
 7811 - 9SS8MFSB8XMFS8-Z-AL
 7812 - 9SS8MFSB8XMFS8-Z-ETP
 7813 - 9SS8MFSB8XMFS8-NI-V
 7814 - 9SS8MFSB8XMFS8-NI-AL
 7815 - 9SS8MFSB8XMFS8-NI-ETP

7820 - 9SS8MFSB10XMFS10-Z-V
 7821 - 9SS8MFSB10XMFS10-Z-AL
 7822 - 9SS8MFSB10XMFS10-Z-ETP
 7823 - 9SS8MFSB10XMFS10-NI-V
 7824 - 9SS8MFSB10XMFS10-NI-AL
 7825 - 9SS8MFSB10XMFS10-NI-ETP

7830 - 9SS12MFSB12XMFS12-Z-V
 7831 - 9SS12MFSB12XMFS12-Z-AL
 7832 - 9SS12MFSB12XMFS12-Z-ETP
 7833 - 9SS12MFSB12XMFS12-NI-V
 7834 - 9SS12MFSB12XMFS12-NI-AL
 7835 - 9SS12MFSB12XMFS12-NI-ETP

7840 - 9SS16MFSB16XMFS16-Z-V
 7841 - 9SS16MFSB16XMFS16-Z-AL
 7842 - 9SS16MFSB16XMFS16-Z-ETP
 7843 - 9SS16MFSB16XMFS16-NI-V
 7844 - 9SS16MFSB16XMFS16-NI-AL
 7845 - 9SS16MFSB16XMFS16-NI-ETP

7850 - 9SS20MFSB20XMFS20-Z-V
 7851 - 9SS20MFSB20XMFS20-Z-AL
 7852 - 9SS20MFSB20XMFS20-Z-ETP
 7853 - 9SS20MFSB20XMFS20-NI-V
 7854 - 9SS20MFSB20XMFS20-NI-AL
 7855 - 9SS20MFSB20XMFS20-NI-ETP

90° FEMALE PIPE (N.P.T.F.) X **PAGE 41**
FEMALE (J.I.C.) SWIVEL NUT

8100 - 9SS4FP25XFJS4-Z-V
 8101 - 9SS4FP25XFJS4-Z-AL
 8102 - 9SS4FP25XFJS4-Z-ETP
 8103 - 9SS4FP25XFJS4-NI-V
 8104 - 9SS4FP25XFJS4-NI-AL
 8105 - 9SS4FP25XFJS4-NI-ETP

8110 - 9SS4FP25XFJS6-Z-V
 8111 - 9SS4FP25XFJS6-Z-AL
 8112 - 9SS4FP25XFJS6-Z-ETP
 8113 - 9SS4FP25XFJS6-NI-V
 8114 - 9SS4FP25XFJS6-NI-AL
 8115 - 9SS4FP25XFJS6-NI-ETP

8120 - 9SS8FP38XFJS6-Z-V
 8121 - 9SS8FP38XFJS6-Z-AL
 8122 - 9SS8FP38XFJS6-Z-ETP
 8123 - 9SS8FP38XFJS6-NI-V
 8124 - 9SS8FP38XFJS6-NI-AL
 8125 - 9SS8FP38XFJS6-NI-AL

8130 - 9SS8FP50XFJS8-Z-V
 8131 - 9SS8FP50XFJS8-Z-AL
 8132 - 9SS8FP50XFJS8-Z-ETP
 8133 - 9SS8FP50XFJS8-NI-V
 8134 - 9SS8FP50XFJS8-NI-AL
 8135 - 9SS8FP50XFJS8-NI-ETP

8140 - 9SS8FP50XFJS10-Z-V
 8141 - 9SS8FP50XFJS10-Z-AL
 8142 - 9SS8FP50XFJS10-Z-ETP
 8143 - 9SS8FP50XFJS10-NI-V
 8144 - 9SS8FP50XFJS10-NI-AL
 8145 - 9SS8FP50XFJS10-NI-ETP

ITEM # - DESCRIPTION

8150 - 9SS12FP75XFJS12-Z-V
 8151 - 9SS12FP75XFJS12-Z-AL
 8152 - 9SS12FP75XFJS12-Z-ETP
 8153 - 9SS12FP75XFJS12-NI-V
 8154 - 9SS12FP75XFJS12-NI-AL
 8155 - 9SS12FP75XFJS12-NI-ETP

8160 - 9SS16FP100XFJS16-Z-V
 8161 - 9SS16FP100XFJS16-Z-AL
 8162 - 9SS16FP100XFJS16-Z-ETP
 8163 - 9SS16FP100XFJS16-NI-V
 8164 - 9SS16FP100XFJS16-NI-AL
 8165 - 9SS16FP100XFJS16-NI-ETP

8170 - 9SS20FP125XFJS20-Z-V
 8171 - 9SS20FP125XFJS20-Z-AL
 8172 - 9SS20FP125XFJS20-Z-ETP
 8173 - 9SS20FP125XFJS20-NI-V
 8174 - 9SS20FP125XFJS20-NI-AL
 8175 - 9SS20FP125XFJS20-NI-ETP

8183 - 9SS24FP150XFJS24-NI-V
 8184 - 9SS24FP150XFJS24-NI-AL
 8185 - 9SS24FP150XFJS24-NI-ETP

90° MALE PIPE (N.P.T.F.) X **PAGE 41**
FEMALE (J.I.C.) SWIVEL NUT

8700 - 9SS4MP25XFJS4-Z-V
 8701 - 9SS4MP25XFJS4-Z-AL
 8702 - 9SS4MP25XFJS4-Z-ETP
 8703 - 9SS4MP25XFJS4-NI-V
 8704 - 9SS4MP25XFJS4-NI-AL
 8705 - 9SS4MP25XFJS4-NI-ETP

8710 - 9SS4MP25XFJS6-Z-V
 8711 - 9SS4MP25XFJS6-Z-AL
 8712 - 9SS4MP25XFJS6-Z-ETP
 8713 - 9SS4MP25XFJS6-NI-V
 8714 - 9SS4MP25XFJS6-NI-AL
 8715 - 9SS4MP25XFJS6-NI-ETP

8720 - 9SS4MP38XFJS6-Z-V
 8721 - 9SS4MP38XFJS6-Z-AL
 8722 - 9SS4MP38XFJS6-Z-ETP
 8723 - 9SS4MP38XFJS6-NI-V
 8724 - 9SS4MP38XFJS6-NI-AL
 8725 - 9SS4MP38XFJS6-NI-ETP

8730 - 9SS8MP50XFJS8-Z-V
 8731 - 9SS8MP50XFJS8-Z-AL
 8732 - 9SS8MP50XFJS8-Z-ETP
 8733 - 9SS8MP50XFJS8-NI-V
 8734 - 9SS8MP50XFJS8-NI-AL
 8735 - 9SS8MP50XFJS8-NI-ETP

8740 - 9SS8MP50XFJS10-Z-V
 8741 - 9SS8MP50XFJS10-Z-AL
 8742 - 9SS8MP50XFJS10-Z-ETP
 8743 - 9SS8MP50XFJS10-NI-V
 8744 - 9SS8MP50XFJS10-NI-AL
 8745 - 9SS8MP50XFJS10-NI-ETP

8750 - 9SS12MP75XFJS12-Z-V
 8751 - 9SS12MP75XFJS12-Z-AL
 8752 - 9SS12MP75XFJS12-Z-ETP
 8753 - 9SS12MP75XFJS12-NI-V
 8754 - 9SS12MP75XFJS12-NI-AL
 8755 - 9SS12MP75XFJS12-NI-ETP

8760 - 9SS16MP100XFJS16-Z-V
 8761 - 9SS16MP100XFJS16-Z-AL
 8762 - 9SS16MP100XFJS16-Z-ETP
 8763 - 9SS16MP100XFJS16-NI-V
 8764 - 9SS16MP100XFJS16-NI-AL
 8765 - 9SS16MP100XFJS16-NI-ETP

8770 - 9SS20MP125XFJS20-Z-V
 8771 - 9SS20MP125XFJS20-Z-AL
 8772 - 9SS20MP125XFJS20-Z-ETP
 8773 - 9SS20MP125XFJS20-NI-V
 8774 - 9SS20MP125XFJS20-NI-AL
 8775 - 9SS20MP125XFJS20-NI-ETP

8783 - 9SS24MP150XFJS24-NI-V
 8784 - 9SS24MP150XFJS24-NI-AL
 8785 - 9SS24MP150XFJS24-NI-ETP

ITEM # - DESCRIPTION

90° MALE (O.R.B.) X **PAGE 42**
FEMALE (J.I.C.) SWIVEL NUT

8800 - 9SS4M04XFJS4-Z-V
 8801 - 9SS4M04XFJS4-Z-AL
 8802 - 9SS4M04XFJS4-Z-ETP
 8803 - 9SS4M04XFJS4-NI-V
 8804 - 9SS4M04XFJS4-NI-AL
 8805 - 9SS4M04XFJS4-NI-ETP

8810 - 9SS4M06XFJS6-Z-V
 8811 - 9SS4M06XFJS6-Z-AL
 8812 - 9SS4M06XFJS6-Z-ETP
 8813 - 9SS4M06XFJS6-NI-V
 8814 - 9SS4M06XFJS6-NI-AL
 8815 - 9SS4M06XFJS6-NI-ETP

8820 - 9SS8M08XFJS8-Z-V
 8821 - 9SS8M08XFJS8-Z-AL
 8822 - 9SS8M08XFJS8-Z-ETP
 8823 - 9SS8M08XFJS8-NI-V
 8824 - 9SS8M08XFJS8-NI-AL
 8825 - 9SS8M08XFJS8-NI-ETP

8830 - 9SS8M10XFJS8-Z-V
 8831 - 9SS8M10XFJS8-Z-AL
 8832 - 9SS8M10XFJS8-Z-ETP
 8833 - 9SS8M10XFJS8-NI-V
 8834 - 9SS8M10XFJS8-NI-AL
 8835 - 9SS8M10XFJS8-NI-ETP

8840 - 9SS8M08XFJS10-Z-V
 8841 - 9SS8M08XFJS10-Z-AL
 8842 - 9SS8M08XFJS10-Z-ETP
 8843 - 9SS8M08XFJS10-NI-V
 8844 - 9SS8M08XFJS10-NI-AL
 8845 - 9SS8M08XFJS10-NI-ETP

8850 - 9SS8M10XFJS10-Z-V
 8851 - 9SS8M10XFJS10-Z-AL
 8852 - 9SS8M10XFJS10-Z-ETP
 8853 - 9SS8M10XFJS10-NI-V
 8854 - 9SS8M10XFJS10-NI-AL
 8855 - 9SS8M10XFJS10-NI-ETP

8860 - 9SS12M012XFJS12-Z-V
 8861 - 9SS12M012XFJS12-Z-AL
 8862 - 9SS12M012XFJS12-Z-ETP
 8863 - 9SS12M012XFJS12-NI-V
 8864 - 9SS12M012XFJS12-NI-AL
 8865 - 9SS12M012XFJS12-NI-ETP

8870 - 9SS16M016XFJS16-Z-V
 8871 - 9SS16M016XFJS16-Z-AL
 8872 - 9SS16M016XFJS16-Z-ETP
 8873 - 9SS16M016XFJS16-NI-V
 8874 - 9SS16M016XFJS16-NI-AL
 8875 - 9SS16M016XFJS16-NI-ETP

8880 - 9SS20M020XFJS20-Z-V
 8881 - 9SS20M020XFJS20-Z-AL
 8882 - 9SS20M020XFJS20-Z-ETP
 8883 - 9SS20M020XFJS20-NI-V
 8884 - 9SS20M020XFJS20-NI-AL
 8885 - 9SS20M020XFJS20-NI-ETP

8893 - 9SS24M024XFJS24-NI-V
 8894 - 9SS24M024XFJS24-NI-AL
 8895 - 9SS24M024XFJS24-NI-ETP

90° MALE (J.I.C.) X **PAGE 42**
FEMALE (J.I.C.) SWIVEL NUT

8900 - 9SS4MJ4XFJS4-Z-V
 8901 - 9SS4MJ4XFJS4-Z-AL
 8902 - 9SS4MJ4XFJS4-Z-ETP
 8903 - 9SS4MJ4XFJS4-NI-V
 8904 - 9SS4MJ4XFJS4-NI-AL
 8905 - 9SS4MJ4XFJS4-NI-ETP

8910 - 9SS4MJ6XFJS6-Z-V
 8911 - 9SS4MJ6XFJS6-Z-AL
 8912 - 9SS4MJ6XFJS6-Z-ETP
 8913 - 9SS4MJ6XFJS6-NI-V
 8914 - 9SS4MJ6XFJS6-NI-AL
 8915 - 9SS4MJ6XFJS6-NI-ETP

ITEM # - DESCRIPTION

8920 - 9SS8MJ8XFJS8-Z-V
 8921 - 9SS8MJ8XFJS8-Z-AL
 8922 - 9SS8MJ8XFJS8-Z-ETP
 8923 - 9SS8MJ8XFJS8-NI-V
 8924 - 9SS8MJ8XFJS8-NI-AL
 8925 - 9SS8MJ8XFJS8-NI-ETP

8930 - 9SS8MJ10XFJS8-Z-V
 8931 - 9SS8MJ10XFJS8-Z-AL
 8932 - 9SS8MJ10XFJS8-Z-ETP
 8933 - 9SS8MJ10XFJS8-NI-V
 8934 - 9SS8MJ10XFJS8-NI-AL
 8935 - 9SS8MJ10XFJS8-NI-ETP

8940 - 9SS8MJ8XFJS10-Z-V
 8941 - 9SS8MJ8XFJS10-Z-AL
 8942 - 9SS8MJ8XFJS10-Z-ETP
 8943 - 9SS8MJ8XFJS10-NI-V
 8944 - 9SS8MJ8XFJS10-NI-AL
 8945 - 9SS8MJ8XFJS10-NI-ETP

8950 - 9SS8MJ10XFJS10-Z-V
 8951 - 9SS8MJ10XFJS10-Z-AL
 8952 - 9SS8MJ10XFJS10-Z-ETP
 8953 - 9SS8MJ10XFJS10-NI-V
 8954 - 9SS8MJ10XFJS10-NI-AL
 8955 - 9SS8MJ10XFJS10-NI-ETP

8960 - 9SS12MJ12XFJS12-Z-V
 8961 - 9SS12MJ12XFJS12-Z-AL
 8962 - 9SS12MJ12XFJS12-Z-ETP
 8963 - 9SS12MJ12XFJS12-NI-V
 8964 - 9SS12MJ12XFJS12-NI-AL
 8965 - 9SS12MJ12XFJS12-NI-ETP

8970 - 9SS16MJ16XFJS16-Z-V
 8971 - 9SS16MJ16XFJS16-Z-AL
 8972 - 9SS16MJ16XFJS16-Z-ETP
 8973 - 9SS16MJ16XFJS16-NI-V
 8974 - 9SS16MJ16XFJS16-NI-AL
 8975 - 9SS16MJ16XFJS16-NI-ETP

8980 - 9SS20MJ20XFJS20-Z-V
 8981 - 9SS20MJ20XFJS20-Z-AL
 8982 - 9SS20MJ20XFJS20-Z-ETP
 8983 - 9SS20MJ20XFJS20-NI-V
 8984 - 9SS20MJ20XFJS20-NI-AL
 8985 - 9SS20MJ20XFJS20-NI-ETP

8993 - 9SS24MJ24XFJS24-NI-V
 8994 - 9SS24MJ24XFJS24-NI-AL
 8995 - 9SS24MJ24XFJS24-NI-ETP

90° (H.P.) Female Pipe (N.P.T.F.) **PAGE 43**
X Female Pipe (N.P.T.F.)

23270 - 9SS8HPFP38XFP38-NI-90V
 5923 - 9SS8HPFP50XFP50-NI-V
 5924 - 9SS8HPFP50XFP50-NI-AL

90° (H.P.) Male Pipe (N.P.T.F.) **PAGE 43**
X Female Pipe (N.P.T.F.)

23263 - 9SS8HPMP38XFP38-NI-90V
 6023 - 9SS8HPMP50XFP50-NI-V
 6024 - 9SS8HPMP50XFP50-NI-AL

90° Dual Plane Female Pipe (N.P.T.F.) **PAGE 45**
X Female Pipe (N.P.T.F.)

DP5000 - 9DP4FP25XFP25-Z-V
 DP5001 - 9DP4FP25XFP25-Z-AL
 DP5002 - 9DP4FP25XFP25-Z-ETP
 DP5003 - 9DP4FP25XFP25-NI-V
 DP5004 - 9DP4FP25XFP25-NI-AL
 DP5005 - 9DP4FP25XFP25-NI-ETP

DP5010 - 9DP8FP38XFP38-Z-V
 DP5011 - 9DP8FP38XFP38-Z-AL
 DP5012 - 9DP8FP38XFP38-Z-ETP
 DP5013 - 9DP8FP38XFP38-NI-V
 DP5014 - 9DP8FP38XFP38-NI-AL
 DP5015 - 9DP8FP38XFP38-NI-ETP

ITEM # - DESCRIPTION

DP5020 - 9DP8FP50XFP50-Z-V
 DP5021 - 9DP8FP50XFP50-Z-AL
 DP5022 - 9DP8FP50XFP50-Z-ETP
 DP5023 - 9DP8FP50XFP50-NI-V
 DP5024 - 9DP8FP50XFP50-NI-AL
 DP5025 - 9DP8FP50XFP50-NI-ETP

DP5030 - 9DP12FP75XFP75-Z-V
 DP5031 - 9DP12FP75XFP75-Z-AL
 DP5032 - 9DP12FP75XFP75-Z-ETP
 DP5033 - 9DP12FP75XFP75-NI-V
 DP5034 - 9DP12FP75XFP75-NI-AL
 DP5035 - 9DP12FP75XFP75-NI-ETP

DP5040 - 9DP16FP100XFP100-Z-V
 DP5041 - 9DP16FP100XFP100-Z-AL
 DP5042 - 9DP16FP100XFP100-Z-ETP
 DP5043 - 9DP16FP100XFP100-NI-V
 DP5044 - 9DP16FP100XFP100-NI-AL
 DP5045 - 9DP16FP100XFP100-NI-ETP

DP5050 - 9DP20FP125XFP125-Z-V
 DP5051 - 9DP20FP125XFP125-Z-AL
 DP5052 - 9DP20FP125XFP125-Z-ETP
 DP5053 - 9DP20FP125XFP125-NI-V
 DP5054 - 9DP20FP125XFP125-NI-AL
 DP5055 - 9DP20FP125XFP125-NI-ETP

DP5063 - 9DP24FP150XFP150-NI-V
 DP5064 - 9DP24FP150XFP150-NI-AL
 DP5065 - 9DP24FP150XFP150-NI-ETP

90° Dual Plane Male Pipe (N.P.T.F.) **PAGE 45**
X Female Pipe (N.P.T.F.)

DP5100 - 9DP4MP25XFP25-Z-V
 DP5101 - 9DP4MP25XFP25-Z-AL
 DP5102 - 9DP4MP25XFP25-Z-ETP
 DP5103 - 9DP4MP25XFP25-NI-V
 DP5104 - 9DP4MP25XFP25-NI-AL
 DP5105 - 9DP4MP25XFP25-NI-ETP

DP5110 - 9DP8MP38XFP38-Z-V
 DP5111 - 9DP8MP38XFP38-Z-AL
 DP5112 - 9DP8MP38XFP38-Z-ETP
 DP5113 - 9DP8MP38XFP38-NI-V
 DP5114 - 9DP8MP38XFP38-NI-AL
 DP5115 - 9DP8MP38XFP38-NI-ETP

DP5120 - 9DP8MP50XFP50-Z-V
 DP5121 - 9DP8MP50XFP50-Z-AL
 DP5122 - 9DP8MP50XFP50-Z-ETP
 DP5123 - 9DP8MP50XFP50-NI-V
 DP5124 - 9DP8MP50XFP50-NI-AL
 DP5125 - 9DP8MP50XFP50-NI-ETP

DP5130 - 9DP12MP75XFP75-Z-V
 DP5131 - 9DP12MP75XFP75-Z-AL
 DP5132 - 9DP12MP75XFP75-Z-ETP
 DP5133 - 9DP12MP75XFP75-NI-V
 DP5134 - 9DP12MP75XFP75-NI-AL
 DP5135 - 9DP12MP75XFP75-NI-ETP

DP5140 - 9DP16MP100XFP100-Z-V
 DP5141 - 9DP16MP100XFP100-Z-AL
 DP5142 - 9DP16MP100XFP100-Z-ETP
 DP5143 - 9DP16MP100XFP100-NI-V
 DP5144 - 9DP16MP100XFP100-NI-AL
 DP5145 - 9DP16MP100XFP100-NI-ETP

DP5150 - 9DP20MP125XFP125-Z-V
 DP5151 - 9DP20MP125XFP125-Z-AL
 DP5152 - 9DP20MP125XFP125-Z-ETP
 DP5153 - 9DP20MP125XFP125-NI-V
 DP5154 - 9DP20MP125XFP125-NI-AL
 DP5155 - 9DP20MP125XFP125-NI-ETP

DP5163 - 9DP24MP150XFP150-NI-V
 DP5164 - 9DP24MP150XFP150-NI-AL
 DP5165 - 9DP24MP150XFP150-NI-ETP

(V) = Viton
(AL) = Aflas
(ETP) = Extreme Viton

ITEM # - DESCRIPTION

90° Dual Plane Male (O.R.B.) X Male (J.I.C.) **PAGE 46**

DP6900 - 9DP4MO6XJM6-Z-V
 DP6901 - 9DP4MO6XJM6-Z-AL
 DP6902 - 9DP4MO6XJM6-Z-ETP
 DP6903 - 9DP4MO6XJM6-NI-V
 DP6904 - 9DP4MO6XJM6-NI-AL
 DP6905 - 9DP4MO6XJM6-NI-ETP

DP6910 - 9DP8MO8XJM8-Z-V
 DP6911 - 9DP8MO8XJM8-Z-AL
 DP6912 - 9DP8MO8XJM8-Z-ETP
 DP6913 - 9DP8MO8XJM8-NI-V
 DP6914 - 9DP8MO8XJM8-NI-AL
 DP6915 - 9DP8MO8XJM8-NI-ETP

DP6920 - 9DP8MO10XJM10-Z-V
 DP6921 - 9DP8MO10XJM10-Z-AL
 DP6922 - 9DP8MO10XJM10-Z-ETP
 DP6923 - 9DP8MO10XJM10-NI-V
 DP6924 - 9DP8MO10XJM10-NI-AL
 DP6925 - 9DP8MO10XJM10-NI-ETP

DP6930 - 9DP12MO12XJM12-Z-V
 DP6931 - 9DP12MO12XJM12-Z-AL
 DP6932 - 9DP12MO12XJM12-Z-ETP
 DP6933 - 9DP12MO12XJM12-NI-V
 DP6934 - 9DP12MO12XJM12-NI-AL
 DP6935 - 9DP12MO12XJM12-NI-ETP

DP6940 - 9DP16MO16XJM16-Z-V
 DP6941 - 9DP16MO16XJM16-Z-AL
 DP6942 - 9DP16MO16XJM16-Z-ETP
 DP6943 - 9DP16MO16XJM16-NI-V
 DP6944 - 9DP16MO16XJM16-NI-AL
 DP6945 - 9DP16MO16XJM16-NI-ETP

DP6950 - 9DP20MO20XJM20-Z-V
 DP6951 - 9DP20MO20XJM20-Z-AL
 DP6952 - 9DP20MO20XJM20-Z-ETP
 DP6953 - 9DP20MO20XJM20-NI-V
 DP6954 - 9DP20MO20XJM20-NI-AL
 DP6955 - 9DP20MO20XJM20-NI-ETP

DP6963 - 9DP24MO24XJM24-NI-V
 DP6964 - 9DP24MO24XJM24-NI-AL
 DP6965 - 9DP24MO24XJM24-NI-ETP

DP6970 - 9DP4MO4XJM4-Z-V
 DP6971 - 9DP4MO4XJM4-Z-AL
 DP6972 - 9DP4MO4XJM4-Z-ETP
 DP6973 - 9DP4MO4XJM4-NI-V
 DP6974 - 9DP4MO4XJM4-NI-AL
 DP6975 - 9DP4MO4XJM4-NI-ETP

90° Dual Plane Male (O.R.B.) X Male Face Seal (M.F.S.) **PAGE 46**

DP8600 - 9DP4MO6XMF6-Z-V
 DP8601 - 9DP4MO6XMF6-Z-AL
 DP8602 - 9DP4MO6XMF6-Z-ETP
 DP8603 - 9DP4MO6XMF6-NI-V
 DP8604 - 9DP4MO6XMF6-NI-AL
 DP8605 - 9DP4MO6XMF6-NI-ETP

DP8620 - 9DP8MO8XMF8-Z-V
 DP8621 - 9DP8MO8XMF8-Z-AL
 DP8622 - 9DP8MO8XMF8-Z-ETP
 DP8623 - 9DP8MO8XMF8-NI-V
 DP8624 - 9DP8MO8XMF8-NI-AL
 DP8625 - 9DP8MO8XMF8-NI-ETP

DP8650 - 9DP8MO10XMF10-Z-V
 DP8651 - 9DP8MO10XMF10-Z-AL
 DP8652 - 9DP8MO10XMF10-Z-ETP
 DP8653 - 9DP8MO10XMF10-NI-V
 DP8654 - 9DP8MO10XMF10-NI-AL
 DP8655 - 9DP8MO10XMF10-NI-ETP

DP8660 - 9DP12MO12XMF12-Z-V
 DP8661 - 9DP12MO12XMF12-Z-AL
 DP8662 - 9DP12MO12XMF12-Z-ETP
 DP8663 - 9DP12MO12XMF12-NI-V
 DP8664 - 9DP12MO12XMF12-NI-AL
 DP8665 - 9DP12MO12XMF12-NI-ETP

ITEM # - DESCRIPTION

DP8670 - 9DP16MO16XMF16-Z-V
 DP8671 - 9DP16MO16XMF16-Z-AL
 DP8672 - 9DP16MO16XMF16-Z-ETP
 DP8673 - 9DP16MO16XMF16-NI-V
 DP8674 - 9DP16MO16XMF16-NI-AL
 DP8675 - 9DP16MO16XMF16-NI-ETP

DP8680 - 9DP20MO20XMF20-Z-V
 DP8681 - 9DP20MO20XMF20-Z-AL
 DP8682 - 9DP20MO20XMF20-Z-ETP
 DP8683 - 9DP20MO20XMF20-NI-V
 DP8684 - 9DP20MO20XMF20-NI-AL
 DP8685 - 9DP20MO20XMF20-NI-ETP

DP8693 - 9DP24MO24XMF24-NI-V
 DP8694 - 9DP24MO24XMF24-NI-AL
 DP8695 - 9DP24MO24XMF24-NI-ETP

90° Dual Plane Male Pipe (N.P.T.F.) **PAGE 47**
X Male (J.I.C.)

DP6800 - 9DP4MP25XJM6-Z-V
 DP6801 - 9DP4MP25XJM6-Z-AL
 DP6802 - 9DP4MP25XJM6-Z-ETP
 DP6803 - 9DP4MP25XJM6-NI-V
 DP6804 - 9DP4MP25XJM6-NI-AL
 DP6805 - 9DP4MP25XJM6-NI-ETP

DP6810 - 9DP8MP38XJM8-Z-V
 DP6811 - 9DP8MP38XJM8-Z-AL
 DP6812 - 9DP8MP38XJM8-Z-ETP
 DP6813 - 9DP8MP38XJM8-NI-V
 DP6814 - 9DP8MP38XJM8-NI-AL
 DP6815 - 9DP8MP38XJM8-NI-ETP

DP6820 - 9DP8MP50XJM8-Z-V
 DP6821 - 9DP8MP50XJM8-Z-AL
 DP6822 - 9DP8MP50XJM8-Z-ETP
 DP6823 - 9DP8MP50XJM8-NI-V
 DP6824 - 9DP8MP50XJM8-NI-AL
 DP6825 - 9DP8MP50XJM8-NI-ETP

DP6830 - 9DP8MP50XJM10-Z-V
 DP6831 - 9DP8MP50XJM10-Z-AL
 DP6832 - 9DP8MP50XJM10-Z-ETP
 DP6833 - 9DP8MP50XJM10-NI-V
 DP6834 - 9DP8MP50XJM10-NI-AL
 DP6835 - 9DP8MP50XJM10-NI-ETP

DP6840 - 9DP12MP75XJM12-Z-V
 DP6841 - 9DP12MP75XJM12-Z-AL
 DP6842 - 9DP12MP75XJM12-Z-ETP
 DP6843 - 9DP12MP75XJM12-NI-V
 DP6844 - 9DP12MP75XJM12-NI-AL
 DP6845 - 9DP12MP75XJM12-NI-ETP

DP6850 - 9DP16MP100XJM16-Z-V
 DP6851 - 9DP16MP100XJM16-Z-AL
 DP6852 - 9DP16MP100XJM16-Z-ETP
 DP6853 - 9DP16MP100XJM16-NI-V
 DP6854 - 9DP16MP100XJM16-NI-AL
 DP6855 - 9DP16MP100XJM16-NI-ETP

DP6860 - 9DP20MP125XJM20-Z-V
 DP6861 - 9DP20MP125XJM20-Z-AL
 DP6862 - 9DP20MP125XJM20-Z-ETP
 DP6863 - 9DP20MP125XJM20-NI-V
 DP6864 - 9DP20MP125XJM20-NI-AL
 DP6865 - 9DP20MP125XJM20-NI-ETP

DP6873 - 9DP24MP150XJM24-NI-V
 DP6874 - 9DP24MP150XJM24-NI-AL
 DP6875 - 9DP24MP150XJM24-NI-ETP

DP6880 - 9DP4MP38XJM6-Z-V
 DP6881 - 9DP4MP38XJM6-Z-AL
 DP6882 - 9DP4MP38XJM6-Z-ETP
 DP6883 - 9DP4MP38XJM6-NI-V
 DP6884 - 9DP4MP38XJM6-NI-AL
 DP6885 - 9DP4MP38XJM6-NI-ETP

DP6890 - 9DP4MP25XJM4-Z-V
 DP6891 - 9DP4MP25XJM4-Z-AL
 DP6892 - 9DP4MP25XJM4-Z-ETP
 DP6893 - 9DP4MP25XJM4-NI-V
 DP6894 - 9DP4MP25XJM4-NI-AL
 DP6895 - 9DP4MP25XJM4-NI-ETP

ITEM # - DESCRIPTION

90° Dual Plane Male (J.I.C.) X Male (J.I.C.) **PAGE 47**

DP7000 - 9DP4MJ6XMI6-Z-V
DP7001 - 9DP4MJ6XMI6-Z-AL
DP7002 - 9DP4MJ6XMI6-Z-ETP
DP7003 - 9DP4MJ6XMI6-NI-V
DP7004 - 9DP4MJ6XMI6-NI-AL
DP7005 - 9DP4MJ6XMI6-NI-ETP

DP7010 - 9DP8MJ8XMI8-Z-V
DP7011 - 9DP8MJ8XMI8-Z-AL
DP7012 - 9DP8MJ8XMI8-Z-ETP
DP7013 - 9DP8MJ8XMI8-NI-V
DP7014 - 9DP8MJ8XMI8-NI-AL
DP7015 - 9DP8MJ8XMI8-NI-ETP

DP7020 - 9DP8MJ10XMI10-Z-V
DP7021 - 9DP8MJ10XMI10-Z-AL
DP7022 - 9DP8MJ10XMI10-Z-ETP
DP7023 - 9DP8MJ10XMI10-NI-V
DP7024 - 9DP8MJ10XMI10-NI-AL
DP7025 - 9DP8MJ10XMI10-NI-ETP

DP7030 - 9DP12MJ12XMI12-Z-V
DP7031 - 9DP12MJ12XMI12-Z-AL
DP7032 - 9DP12MJ12XMI12-Z-ETP
DP7033 - 9DP12MJ12XMI12-NI-V
DP7034 - 9DP12MJ12XMI12-NI-AL
DP7035 - 9DP12MJ12XMI12-NI-ETP

DP7040 - 9DP16MJ16XMI16-Z-V
DP7041 - 9DP16MJ16XMI16-Z-AL
DP7042 - 9DP16MJ16XMI16-Z-ETP
DP7043 - 9DP16MJ16XMI16-NI-V
DP7044 - 9DP16MJ16XMI16-NI-AL
DP7045 - 9DP16MJ16XMI16-NI-ETP

DP7050 - 9DP20MJ20XMI20-Z-V
DP7051 - 9DP20MJ20XMI20-Z-AL
DP7052 - 9DP20MJ20XMI20-Z-ETP
DP7053 - 9DP20MJ20XMI20-NI-V
DP7054 - 9DP20MJ20XMI20-NI-AL
DP7055 - 9DP20MJ20XMI20-NI-ETP

DP7063 - 9DP24MJ24XMI24-NI-V
DP7064 - 9DP24MJ24XMI24-NI-AL
DP7065 - 9DP24MJ24XMI24-NI-ETP

DP7070 - 9DP4MJ4XMI4-Z-V
DP7071 - 9DP4MJ4XMI4-Z-AL
DP7072 - 9DP4MJ4XMI4-Z-ETP
DP7073 - 9DP4MJ4XMI4-NI-V
DP7074 - 9DP4MJ4XMI4-NI-AL
DP7075 - 9DP4MJ4XMI4-NI-ETP

90° Dual Plane Male Face Seal (M.F.S.) X Male Face Seal (M.F.S.) **PAGE 48**

DP7600 - 9DP4MFS6XMF6-Z-V
DP7601 - 9DP4MFS6XMF6-Z-AL
DP7602 - 9DP4MFS6XMF6-Z-ETP
DP7603 - 9DP4MFS6XMF6-NI-V
DP7604 - 9DP4MFS6XMF6-NI-AL
DP7605 - 9DP4MFS6XMF6-NI-ETP

DP7610 - 9DP8MFS8XMF8-Z-V
DP7611 - 9DP8MFS8XMF8-Z-AL
DP7612 - 9DP8MFS8XMF8-Z-ETP
DP7613 - 9DP8MFS8XMF8-NI-V
DP7614 - 9DP8MFS8XMF8-NI-AL
DP7615 - 9DP8MFS8XMF8-NI-ETP

DP7620 - 9DP8MFS10XMF10-Z-V
DP7621 - 9DP8MFS10XMF10-Z-AL
DP7622 - 9DP8MFS10XMF10-Z-ETP
DP7623 - 9DP8MFS10XMF10-NI-V
DP7624 - 9DP8MFS10XMF10-NI-AL
DP7625 - 9DP8MFS10XMF10-NI-ETP

DP7630 - 9DP12MFS12XMF12-Z-V
DP7631 - 9DP12MFS12XMF12-Z-AL
DP7632 - 9DP12MFS12XMF12-Z-ETP

DP7633 - 9DP12MFS12XMF12-NI-V
DP7634 - 9DP12MFS12XMF12-NI-AL
DP7635 - 9DP12MFS12XMF12-NI-ETP

ITEM # - DESCRIPTION

DP7640 - 9DP16MFS16XMF16-Z-V
DP7641 - 9DP16MFS16XMF16-Z-AL
DP7642 - 9DP16MFS16XMF16-Z-ETP
DP7643 - 9DP16MFS16XMF16-NI-V
DP7644 - 9DP16MFS16XMF16-NI-AL
DP7645 - 9DP16MFS16XMF16-NI-ETP

DP7650 - 9DP20MFS20XMF20-Z-V
DP7651 - 9DP20MFS20XMF20-Z-AL
DP7652 - 9DP20MFS20XMF20-Z-ETP
DP7653 - 9DP20MFS20XMF20-NI-V
DP7654 - 9DP20MFS20XMF20-NI-AL
DP7655 - 9DP20MFS20XMF20-NI-ETP
DP7663 - 9DP24MFS24XMF24-NI-V
DP7664 - 9DP24MFS24XMF24-NI-AL
DP7665 - 9DP24MFS24XMF24-NI-ETP

Inline Female BSPP X Female BSPP **PAGE 50**

60000 - SS4FBSPP4XFBSP4-Z-V
60001 - SS4FBSPP4XFBSP4-Z-AL
60200 - SS6FBSPP6XFBSP6-Z-V
60201 - SS6FBSPP6XFBSP6-Z-AL
60300 - SS8DBFBSPP8XFBSP8-Z-V
60301 - SS8DBFBSPP8XFBSP8-Z-AL
60500 - SS12DBFBSPP12XBSPP12-Z-V
60501 - SS12DBFBSPP12XBSPP12-Z-AL
60600 - SS16DBFBSPP16XFBSP16-Z-V
60601 - SS16DBFBSPP16XFBSP16-Z-AL

60700 - SS20FBSPP20XFBSP20-Z-V
60701 - SS20FBSPP20XFBSP20-Z-AL
60803 - SS24FBSPP24XFBSP24-NI-V
60804 - SS24FBSPP24XFBSP24-NI-AL

Inline Male BSPP X Female BSPP **PAGE 50**

50000 - SS4MBSPP4XFBSP4-Z-V
50001 - SS4MBSPP4XFBSP4-Z-AL
50200 - SS6MBSPP6XFBSP6-Z-V
50201 - SS6MBSPP6XFBSP6-Z-AL
50300 - SS8DBMBSPP8XFBSP8-Z-V
50301 - SS8DBMBSPP8XFBSP8-Z-AL
50500 - SS12DBMBSPP12XFBSP12-Z-V
50501 - SS12DBMBSPP12XFBSP12-Z-AL
50600 - SS16DBMBSPP16XFBSP16-Z-V
50601 - SS16DBMBSPP16XFBSP16-Z-AL
50700 - SS20MBSPP20XFBSP20-Z-V
50701 - SS20MBSPP20XFBSP20-Z-AL
50803 - SS24MBSPP24XFBSP24-NI-V
50804 - SS24MBSPP24XFBSP24-NI-AL

90° Female BSPP X Female BSPP **PAGE 51**

30000 - 9SS4FBSPP4XFBSP4-Z-V
30001 - 9SS4FBSPP4XFBSP4-Z-AL
30200 - 9SS6FBSPP6XFBSP6-Z-V
30201 - 9SS6FBSPP6XFBSP6-Z-AL
30300 - 9SS8DBFBSPP8XFBSP8-Z-V
30301 - 9SS8DBFBSPP8XFBSP8-Z-AL
30500 - 9SS12DBFBSPP12XBSPP12-Z-V
30501 - 9SS12DBFBSPP12XBSPP12-Z-AL
30600 - 9SS16DBFBSPP16XFBSP16-Z-V
30601 - 9SS16DBFBSPP16XFBSP16-Z-AL
30700 - 9SS20FBSPP20XFBSP20-Z-V
30701 - 9SS20FBSPP20XFBSP20-Z-AL
30803 - 9SS24FBSPP24XFBSP24-NI-V
30804 - 9SS24FBSPP24XFBSP24-NI-AL

90° Male BSPP X Female BSPP **PAGE 51**

40000 - 9SS4MBSPP4XFBSP4-Z-V
40001 - 9SS4MBSPP4XFBSP4-Z-AL
40200 - 9SS6MBSPP6XFBSP6-Z-V
40201 - 9SS6MBSPP6XFBSP6-Z-AL
40300 - 9SS8DBMBSPP8XFBSP8-Z-V
40301 - 9SS8DBMBSPP8XFBSP8-Z-AL
40500 - 9SS12DBMBSPP12XBSPP12-Z-V
40501 - 9SS12DBMBSPP12XBSPP12-Z-AL
40600 - 9SS16DBMBSPP16XFBSP16-Z-V
40601 - 9SS16DBMBSPP16XFBSP16-Z-AL
40700 - 9SS20MBSPP20XFBSP20-Z-V
40701 - 9SS20MBSPP20XFBSP20-Z-AL
40803 - 9SS24MBSPP24XFBSP24-NI-V
40804 - 9SS24MBSPP24XFBSP24-NI-AL

ITEM # - DESCRIPTION

Inline Male Pipe BSPP X Male Pipe BSPP **PAGE 52**

51000 - SS4MBSPP4XMBSP4-Z-V
51001 - SS4MBSPP4XMBSP4-Z-AL
51002 - SS4MBSPP4XMBSP4-Z-ETP
51003 - SS4MBSPP4XMBSP4-NI-V
51004 - SS4MBSPP4XMBSP4-NI-AL
51005 - SS4MBSPP4XMBSP4-NI-ETP

51200 - SS6MBSPP6XMBSP6-Z-V
51201 - SS6MBSPP6XMBSP6-Z-AL
51203 - SS6MBSPP6XMBSP6-NI-V
51204 - SS6MBSPP6XMBSP6-NI-AL
51205 - SS6MBSPP6XMBSP6-NI-ETP

51300 - SS8DBMBSPP8XMBSP8-Z-V
51301 - SS8DBMBSPP8XMBSP8-Z-AL
51302 - SS8DBMBSPP8XMBSP8-Z-ETP
51303 - SS8DBMBSPP8XMBSP8-NI-V
51304 - SS8DBMBSPP8XMBSP8-NI-AL
51305 - SS8DBMBSPP8XMBSP8-NI-ETP

51500 - SS12DBMBSPP12XMBSP12-Z-V
51501 - SS12DBMBSPP12XMBSP12-Z-AL
51502 - SS12DBMBSPP12XMBSP12-Z-ETP
51503 - SS12DBMBSPP12XMBSP12-NI-V
51504 - SS12DBMBSPP12XMBSP12-NI-AL
51505 - SS12DBMBSPP12XMBSP12-NI-ETP

51600 - SS16DBMBSPP16XMBSP16-Z-V
51601 - SS16DBMBSPP16XMBSP16-Z-AL
51602 - SS16DBMBSPP16XMBSP16-Z-ETP
51603 - SS16DBMBSPP16XMBSP16-NI-V
51604 - SS16DBMBSPP16XMBSP16-NI-AL
51605 - SS16DBMBSPP16XMBSP16-NI-ETP

51700 - SS20MBSPP20XMBSP20-Z-V
51701 - SS20MBSPP20XMBSP20-Z-AL
51702 - SS20MBSPP20XMBSP20-Z-ETP
51703 - SS20MBSPP20XMBSP20-NI-V
51704 - SS20MBSPP20XMBSP20-NI-AL
51705 - SS20MBSPP20XMBSP20-NI-ETP

51803 - SS24MBSPP24XMBSP24-NI-V
51804 - SS24MBSPP24XMBSP24-NI-AL
51805 - SS24MBSPP24XMBSP24-NI-ETP

Seal Rebuilding Kits **PAGE 75**

3690 - SS-2-KIT-VITON

3600 - SS-4-KIT-VITON
3601 - SS-4-KIT-AFLAS
3602 - SS-4-KIT-ETP

3680 - SS-7-KIT-VITON
3681 - SS-7-KIT-AFLAS
3682 - SS-7-KIT-ETP

3610 - SS-8-KIT-VITON
3611 - SS-8-KIT-AFLAS
3612 - SS-8-KIT-ETP

3615 - SS-8-HP-KIT-VITON
3616 - SS-8-HP-KIT-AFLAS

3620 - SS-12-KIT-VITON
3621 - SS-12-KIT-AFLAS
3622 - SS-12-KIT-ETP

3630 - SS-16-KIT-VITON
3631 - SS-16-KIT-AFLAS
3632 - SS-16-KIT-ETP

3640 - SS-20-KIT-VITON
3641 - SS-20-KIT-AFLAS
3642 - SS-20-KIT-ETP

3650 - SS-24-KIT-VITON
3651 - SS-24-KIT-AFLAS
3652 - SS-24-KIT-ETP

3660 - SS-32-KIT-VITON
3661 - SS-32-KIT-AFLAS
3662 - SS-32-KIT-ETP

3670 - SS-40-KIT-VITON
3671 - SS-40-KIT-AFLAS
3672 - SS-40-KIT-ETP

ITEM # - DESCRIPTION



EXTRA HEAVY DUTY **INLINE**

Inline Male J.I.C. (37°) X Female J.I.C. (37°) **E-H-DUTY PAGE 54**
15092 - SS12DBMJ12XFI12-Z-90V

Inline Male J.I.C. (37°) X Male J.I.C. (37°)
15067 - SS12DBMJ12XMI12-Z-90V

Inline Male J.I.C. (37°) X Female J.I.C. (37°) **E-H-DUTY PAGE 55**
16020 - SS16DBMJ16XFI16-Z-90V

Inline Male J.I.C. (37°) X Male J.I.C. (37°)
16004 - SS16DBMJ16XMI16-Z-90V

Inline Female Face Seal (F.F.S.) X Male Face Seal (M.F.S.) **E-H-DUTY PAGE 56**
16062 - SS16DBFBS16XMF16-Z-90V

Inline Male Face Seal (M.F.S.) X Male Face Seal (M.F.S.)
16073 - SS16DBMFS16XMF16-Z-90V

Inline Female Pipe (N.P.T.F.) X Female Pipe (N.P.T.F.) **E-H-DUTY PAGE 57**
16001 - SS16DBFP100XFP100-NI-90V

Inline Female Pipe (N.P.T.F.) X Male J.I.C. (37°)
16110 - SS16DBFP100XMI16-Z-90V

Inline Male J.I.C. (37°) X Female O-Ring (O.R.B.) **E-H-DUTY PAGE 58**
16100 - SS16DBMJ16XFO16-Z-90V

Inline Male O-Ring (O.R.B.) Female O-Ring (O.R.B.)
16107 - SS16DBMO100XFO16-Z-90V

Inline Male O-Ring (O.R.B.) X Male Face Seal (M.F.S.) **E-H-DUTY PAGE 59**
16074 - SS16DBMO16XMF16-Z-90V

Inline Male J.I.C. (37°) X Male Face Seal (M.F.S.)
16084 - SS16DBMJ16XMF16-Z-90V

Inline Male J.I.C. (37°) X Female Pipe (N.P.T.F.) **E-H-DUTY PAGE 60**
16014 - SS16DBMJ16XFP100-Z-90V

EXTRA HEAVY DUTY **90°**

90° Female Pipe (N.P.T.F.) X Female Pipe (N.P.T.F.) **E-H-DUTY PAGE 61**
25100 - 9SS16DBFP100XFP100-NI-90V

90° Male J.I.C. (37°) X Female Pipe (N.P.T.F.)
25122 - 9SS16DBMJ16XFP100-Z-90V

(V) = Viton
(AL) = Aflas
(ETP) = Extreme Viton

Competitors Cross Reference Guides

Below is part of a Competitors Cross Reference Guide which is available on our website to download and refer to when making order selections.

| ITEM # | S S DESCRIPTION | AEROQUIP | HYDRAULICS INC. | PARKER (PS) | SWIVEL TYPE |
|--------|-----------------------|--------------|-----------------|-----------------|-------------------------------|
| 6430 | 9SS8MO10XPS50-Z-V | BD5004-0810 | 9S8PU8-O10 | | 90° MALE O-RING X PIPE SWIVEL |
| 6300 | 9SS4MP25XPS25-Z-V | BD55000-0404 | 9S6PU4-P4 | PS490107-4-4 | 90° MALE PIPE X PIPE SWIVEL |
| 6310 | 9SS8MP38XPS38-Z-V | BD55000-0606 | 9S6PU6-P6 | PS690107-6-6 | 90° MALE PIPE X PIPE SWIVEL |
| 6320 | 9SS8MP50XPS50-Z-V | BD55000-0808 | 9S8OU8-P8 | PS890107-8-8 | 90° MALE PIPE X PIPE SWIVEL |
| 6330 | 9SS12MP75XPS75-Z-V | BD55000-1212 | 9S12PU12-P12 | PS1290107-12-12 | 90° MALE PIPE X PIPE SWIVEL |
| 6340 | 9SS16MP100XPS100-Z-V | BD55000-1616 | 9S16PU16-P16 | PS1290107-16-16 | 90° MALE PIPE X PIPE SWIVEL |
| 6350 | 9SS20MP125XPS125-Z-V | BD55000-2020 | 9S20PU20-P20 | | 90° MALE PIPE X PIPE SWIVEL |
| 6393 | 9SS24MP150XPS150-Ni-V | BD55000-2424 | 9S24PU24-P24 | | 90° MALE PIPE X PIPE SWIVEL |
| 6570 | 9SS4MJ6XPS38-Z-V | BD55001-0606 | 9S6PU6-J6 | PS690307-6-6 | 90° MALE JIC X PIPE SWIVEL |
| 6510 | 9SS8MJ8XPS38-Z-V | BD55001-0608 | 9S6PU6-J8 | | 90° MALE JIC X PIPE SWIVEL |
| 6520 | 9SS8MJ8XPS50-Z-V | BD55001-0808 | | PS890307-8-8 | 90° MALE JIC X PIPE SWIVEL |
| 6530 | 9SS8MJ10XPS50-Z-V | BD55001-0810 | 9S8PU8-J10 | | 90° MALE JIC X PIPE SWIVEL |
| 6540 | 9SS12MJ12XPS75-Z-V | BD55001-1212 | 9S12PU12-J12 | PS1290307-12-12 | 90° MALE JIC X PIPE SWIVEL |
| 6550 | 9SS16MJ16XPS100-Z-V | BD55001-1616 | 9S16PU16-J16 | PS1690307-16-16 | 90° MALE JIC X PIPE SWIVEL |
| 6560 | 9SS20MJ20XPS125-Z-V | BD55001-2020 | 9S20PU20-J20 | | 90° MALE JIC X PIPE SWIVEL |
| 6410 | 9SS8MO8XPS38-Z-V | BD55004-0608 | 9S6PU6-O8 | | 90° MALE O-RING X PIPE SWIVEL |
| 6420 | 9SS8MO8XPS50-Z-V | BD55004-0808 | | PS890507-8-8 | 90° MALE O-RING X PIPE SWIVEL |
| 6440 | 9SS12MO12XPS75-Z-V | BD55004-1212 | 9S12PU12-O12 | PS1290507-12-12 | 90° MALE O-RING X PIPE SWIVEL |
| 6450 | 9SS16MO16XPS100-Z-V | BD55004-1616 | 9S16PU16-O16 | PS1690507-16-16 | 90° MALE O-RING X PIPE SWIVEL |
| 6460 | 9SS20MO20XPS125-Z-V | BD55004-2020 | 9S20PU20-O20 | | 90° MALE O-RING X PIPE SWIVEL |
| 6483 | 9SS24MO24XPS150-Ni-V | BD55004-2424 | 9S24PU24-O24 | | 90° MALE O-RING X PIPE SWIVEL |
| 6870 | 9SS4MP38XMJ6-Z-V | BD55005-0606 | 9S6J6-P6 | | 90° MALE PIPE X MALE JIC |
| 6810 | 9SS8MP38XMJ8-Z-V | BD55005-0806 | 9S6J8-P6 | | 90° MALE PIPE X MALE JIC |
| 6820 | 9SS8MP50XMJ8-Z-V | BD55005-0808 | | PS890103-8-8 | 90° MALE PIPE X MALE JIC |
| 6830 | 9SS8MP50XMJ10-Z-V | BD55005-1008 | 9S8J10-P8 | | 90° MALE PIPE X MALE JIC |
| 6840 | 9SS12MP75XMJ12-Z-V | BD55005-1212 | 9S12J12-P12 | PS1290103-12-12 | 90° MALE PIPE X MALE JIC |
| 6850 | 9SS16MP100XMJ16-Z-V | BD55005-1616 | 9S16J16-P16 | PS1690103-16-16 | 90° MALE PIPE X MALE JIC |
| 6860 | 9SS20MP125XMJ20-Z-V | BD55005-2020 | 9S20J20-P20 | | 90° MALE PIPE X MALE JIC |
| 6883 | 9SS24MP150XMJ24-Ni-V | BD55005-2424 | 9S24J24-P24 | | 90° MALE PIPE X MALE JIC |
| 7000 | 9SS4MJ6XMJ6-Z-V | BD55009-0606 | 9S6J6-J6 | PS690302-6-6 | 90° MALE JIC X MALE JIC |
| 7010 | 9SS8MJ8XMJ8-Z-V | BD55009-0808 | 9S6J8-J8 | PS890302-8-8 | 90° MALE JIC X MALE JIC |
| 7020 | 9SS8MJ10XMJ10-Z-V | BD55009-1010 | 9S8J10-J10 | PS890302-10-10 | 90° MALE JIC X MALE JIC |
| 7030 | 9SS12MJ12XMJ12-Z-V | BD55009-1212 | 9S12J12-J12 | PS1290302-12-12 | 90° MALE JIC X MALE JIC |
| 7040 | 9SS16MJ16XMJ16-Z-V | BD55009-1616 | 9S16J16-J16 | PS1690302-16-16 | 90° MALE JIC X MALE JIC |
| 7050 | 9SS20MJ20XMJ20-Z-V | BD55009-2020 | 9S20J20-J20 | | 90° MALE JIC X MALE JIC |
| 7063 | 9SS24MJ24XMJ24-Ni-V | BD55009-2424 | 9S24J24-J24 | | 90° MALE JIC X MALE JIC |

This Partial Cross Reference Refers To End Configurations Only!
Consult Catalogs For Pressure Ratings, Dimensions, Seals, Plating, Ect.

Above is a sample of a cross reference. Full listings available on web site: www.SuperSwivels.com

Super Swivels' Advantages

Simplified Connections:

- Super Swivels can connect directly to hose lines which would do away with adapters.
- Super Swivels reduce the complexity of hose lines for 90° connections.
- Less hose is required with Super Swivels live swivels reducing space needs.

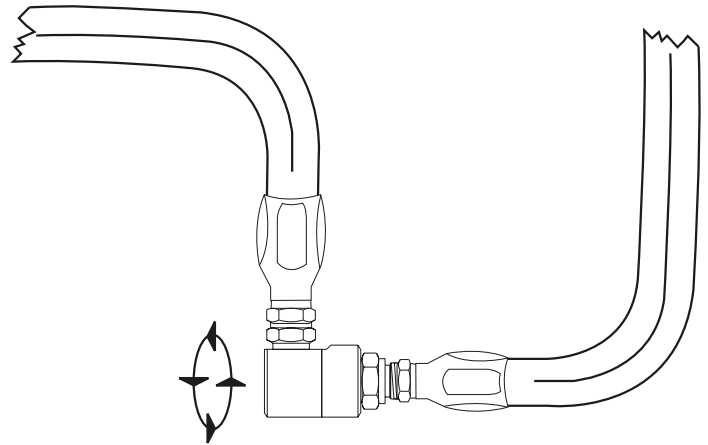


Reduced Hose Twisting:

- Super Swivels live swivel action reduces risk of hose twisting and kinking even in 90° angel connections.

Less System Shock:

- The increased hose movement allowed by Super Swivels superior design reduces system rigidity and helps absorb some system impulses.



Reduce Maintenance and Downtime:

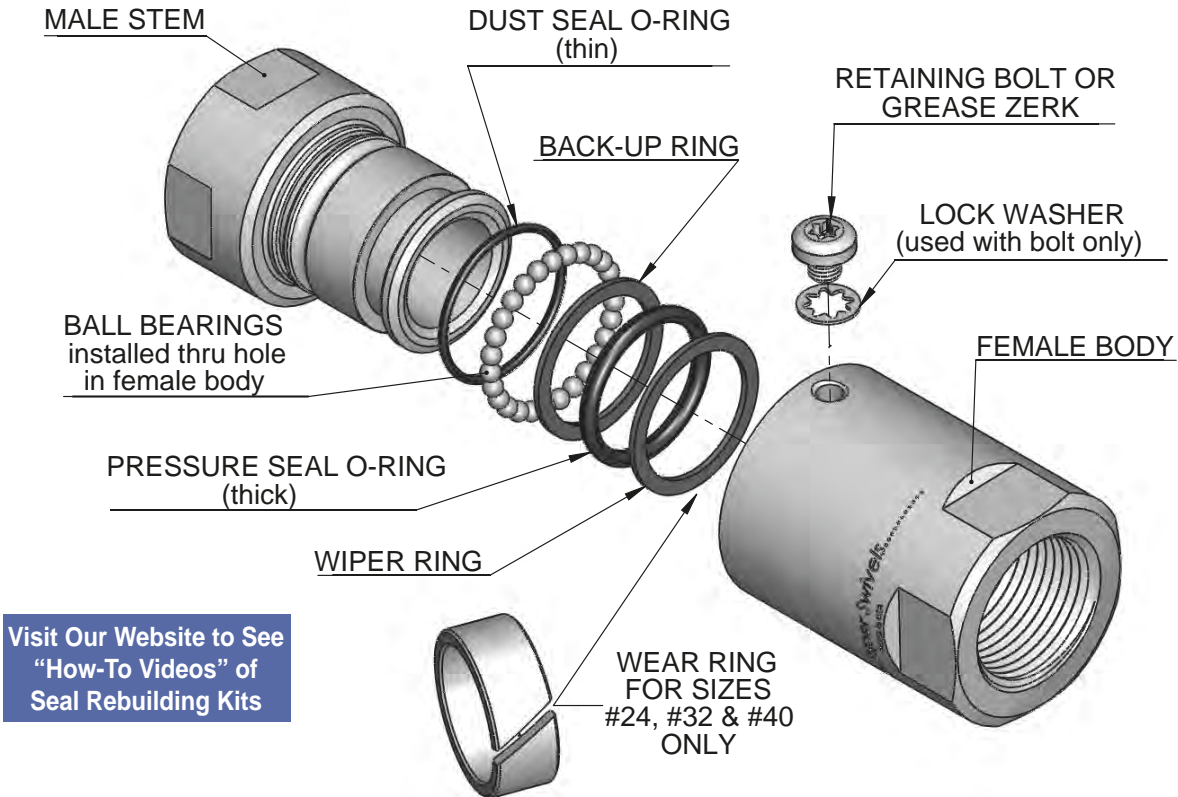
- Less hydraulic line congestion, hose kinking, shock damage and twisting means lower maintenance costs and less downtime.

Reduced Cost:

- Simplified hose configuration, less hose and adapters when combined with reduced repairs and downtime reduce the overall cost of hydraulics.



Hydraulic Inline and 90° Live Swivels Seal Rebuilding Kit Instructions



Visit Our Website to See
"How-To Videos" of
Seal Rebuilding Kits

1. Remove retaining bolt or grease zerk (some models have a permanent grease zerk).
2. Wash swivel in solvent and rotate while immersed to remove grease from the ball bearing groove.
3. Remove ball bearings by rotating swivel with ball loading hole pointed downward. If remaining grease in ball groove prevents balls from falling free when centered over loading hole, tap swivel on work bench with loading hole facing down on bench.
4. With all ball bearings removed (check by rotating while looking into ball loading hole), pull the two halves apart and discard old rings, ball bearings and seals.
5. Clean and dry swivel thoroughly, install new seal and wear rings when required, and lubricate the female bore and male outside diameter before assembly. Load retainer ball bearings and install grease zerk (a temporary zerk is provided for models with a retaining bolt). Use lithium based grease with moly (do not over grease).

Note: The temporary grease zerk must be removed and replaced with the original retaining bolt and new lock washer on swivels which didn't originally have a permanent grease zerk.

Seal Rebuilding Kits Item Number/Part Number... Page 72

Switch Your Swivel!®

We Thrive Under Pressure

Custom Design Live Swivels

Inline • 90° • Dual Plane



THOUSANDS OF SWIVEL OPTIONS

Our heat treating process and patented design enables higher working pressure ratings. Super Swivels are engineered for simplified connections, allowing direct connections to hose lines doing away with adapters.

Super Swivels live swivel action reduces risk of hose twisting and kinking even in 90° angled connections. This simplification reduces the complication of hose line connections so less hose is required, and reducing space needs. The increased hose movement allowed by Super Swivels' superior design reduces system rigidity and helps to absorb system impulses. Less hydraulic line congestion, reduced hose kinking, lower risk of shock damage and twisting which means lower maintenance costs and less downtime.

By engineering the best heavy duty and compact live swivel designs Super Swivels allows manufactures to create the most efficient and smallest products possible. The design and reliability features allow for the most efficient aftermarket modifications and repairs.

Swivel stems will fit into any body of the same series, creating many combinations not listed in our catalogs. Our expansive options with the added possibilities of our custom design service makes your opportunities nearly limitless.

Base Material and Plating includes: Zinc or Nickel Plated Carbon Steel, or 304 and 440c Stainless Steel (in Pipe Thread Only).

Seal Material includes: (V) Viton® (Fluorocarbon), (AL) Aflas® (Tetrafluoroethylene-propylene copolymer), (ETP) Extreme Viton®. Other seals available upon request: Buna, EPR, Neoprene and Markez®.

Switch Your Swivel!®

WARRANTY & LIMITATION OF LIABILITY



Super Swivels® products are warranted for a period of twelve (12) months from date of shipment from seller's plant to be free from defects in material and workmanship under correct use, normal operating conditions, and proper application.

CAR WASH / CORROSIVE MEDIA APPLICATIONS. SEALS WILL BE WARRANTED FOR SIX (6) MONTHS WHEN USED WITH FRESH, CLEAN, SOFT, FLUIDS WITH A pH BETWEEN 8 - 11.5. SEALS WILL BE WARRANTED FOR THREE (3) MONTHS WHEN USED WITH ANY RECLAIMED FLUIDS. MINIMUM FILTRATION REQUIREMENTS, 10 MICRONS. WARRANTY VOIDED IF SPECIFIED R.P.M. EXCEEDED.

Seller's obligation under this warranty shall be limited to the repair or exchange, at seller's option, F.O.B. seller's factory, of any Super Swivels® product or part which proves to be defective as provided herein. Seller reserves the right to either inspect the product at buyer's location or require it to be returned to the factory for inspection. The above warranty does not extend to goods damaged, or subjected to accident, abuse, or misuse after shipment from seller's factory, nor to goods altered or repaired by anyone other than authorized Super Swivels® representatives.

SELLER MAKES NO EXPRESS WARRANTIES OTHER THAN THOSE WHICH ARE SPECIFICALLY DESCRIBED HEREIN. Any description of the goods sold hereunder, including any references to buyer's specifications and any descriptions in catalogs, circulars and other written material published by Seller is for the sole purpose of identifying such goods and shall not create an express warranty that the goods shall conform to such description. Any sample or model is for illustrative purposes only and shall not create any express warranty that the goods shall conform to the sample or model. BUYER IS SOLELY RESPONSIBLE FOR DETERMINING THE SUITABILITY OF GOODS SOLD HEREUNDER FOR USE BY BUYER.

THE SUITABILITY OF GOODS SOLD HEREUNDER FOR USE BY BUYER. THIS WARRANTY IS EXPRESSLY IN LIEU OF ALL OTHER WARRANTIES EXPRESSED OR IMPLIED. THERE ARE NO IMPLIED WARRANTIES OF MERCHANTABILITY OR FITNESS FOR A PARTICULAR PURPOSE. THIS WARRANTY STATES SELLER'S ENTIRE AND EXCLUSIVE LIABILITY AND BUYER'S EXCLUSIVE REMEDY FOR ANY CLAIM FOR DAMAGES IN CONNECTION WITH THE SALE OF FURNISHINGS OF SUPER SWIVELS® PRODUCTS, THEIR DESIGN, SUITABILITY FOR USE, INSTALLATION OR OPERATION, OR FOR ANY CLAIMED DEFECTS HEREIN. SELLER WILL IN NO EVENT BE LIABLE FOR ANY INCIDENTAL OR CONSEQUENTIAL DAMAGES WHATSOEVER, NOR FOR ANY SUM IN EXCESS OF THE PRICE RECEIVED FOR THE GOODS FOR WHICH LIABILITY IS CLAIMED.

SUPER SWIVELS® ARE NOT DESIGNED FOR AND SHOULD NOT BE USED AS A STRUCTURAL OR LOAD BEARING COMPONENT. ALL DIMENSIONAL INFORMATION SUBJECT TO CHANGE WITHOUT NOTICE.

Inline Swivels

Page 12



90° Swivels

Page 23



Dual Plane Swivels

Page 44



BSPP Swivels

Page 49



Extra Heavy Duty Swivels

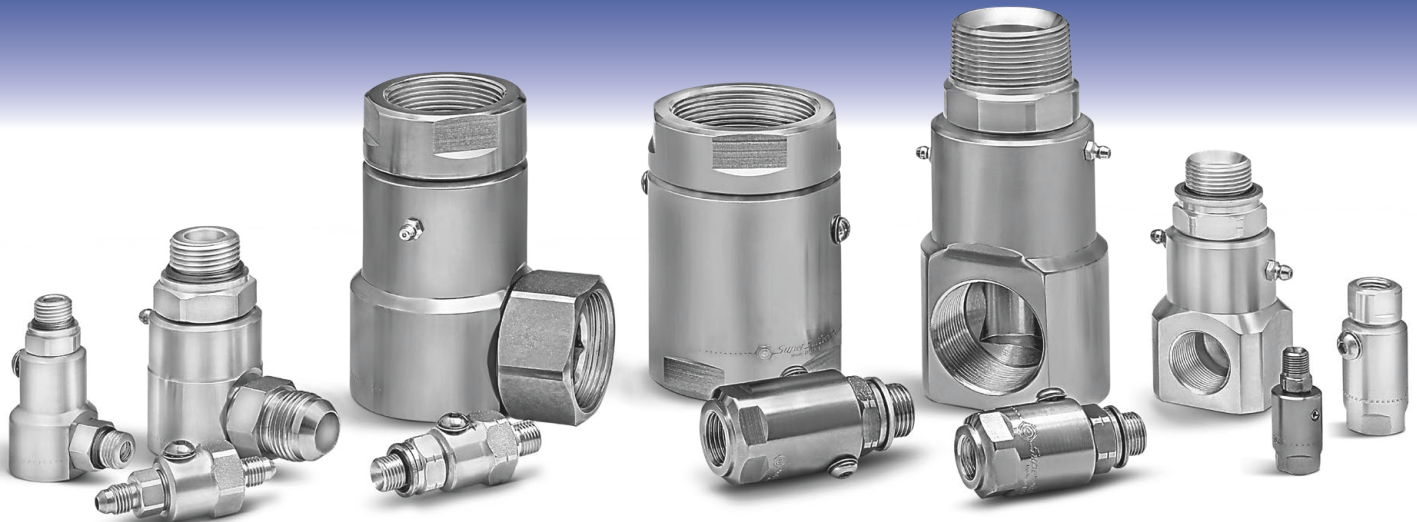
Page 53





Switch Your Swivel![®]

Super Swivels[®]



Inline & 90° Hydraulic Live Swivels

- Available In Sizes From 1/8" Through 2 1/2"
- Rated To 10,000 P.S.I.
- Heat Treated
- Rebuilding Kits Available
- Superior Quality Alloy Steel
- Side Load Resistant
- Full Flow — Low Pressure Drop
- Burnished (Micro Smooth) Barrel Bores
- Chrome Or Stainless Steel Ball Bearings
- Viton,[®] Viton Extreme,[®] Aflas,[®] Markez,[®] Buna, Or EPDM Seals
- **Available in 304 & 440c Stainless Steel** (pipe thread only)



Quality Products Made In The U.S.A., Patent No. 5547233

Super Swivels • 7917 Beech Street NE • Minneapolis, MN 55432-1762

www.SuperSwivels.com

Email: sales@superswivels.com

763-784-5531

Fax: 763-784-7423